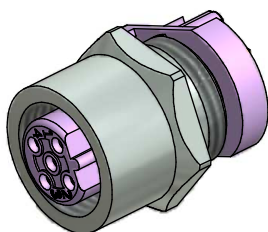
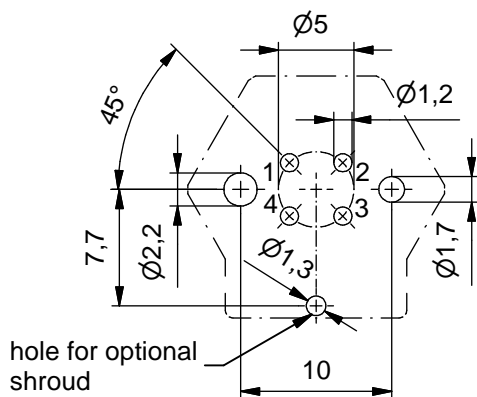


Pin Layout
PCB 1,60mm



Technical specification:

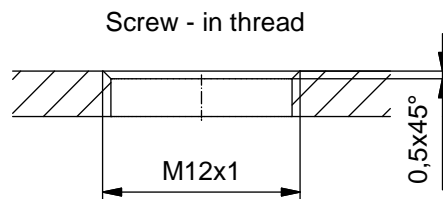
Rated voltage: IEC 61076-2-101	250 V
Current rating: IEC 61076-2-101	4 A at 40°C
Insulation resistance: IEC 60512-2	>=100 MΩ
Pollution degree: IEC 60664-1	3/2
Degree of protection: IEC 60529	IP 67, in mated condition
Temperature range: IEC 60664-1	-30°C ... +85°C
Mating cycles: IEC 60512-9a	>=100

Materials:

Contact:	CuZn
Contact plating:	Nickel, gold plated
Contact carrier:	PA 6.6, UL 94
Sealing:	FPM
Socket housing:	CuZn, nickel plated
Shroud:	Spring steel
-plating:	Tin plated

Installation specification:

recommended torque:	0,8-1 Nm
Conec installation tool:	Torque wrench: 36-000200 Insert across flats 15: 36-000320



Part no:	Description:	Pos	Note:
43-01216	SAL - 12B - FK4 - X5,5	4	with shroud

DO NOT ALTER CAD DRAWING BY HAND	Directive 2002/95/EC RoHS compliant	Index: b 13.07.11 fro Ä3914 Data sheet revised, technical specification changed	dim. in mm	title: Female socket M12x1 axial, profibus DP, frontmounting, dip solder, X5,5			
					date	name	
			drawn		22.11.07	Fromm	dwg no: 43K1A530
			appd.		18.02.08	W. Schmidt	
THIS DRAWING MAY NOT BE COPIED OR REPRODUCED IN ANY WAY, AND MAY NOT BE PASSED ON TO A THIRD PARTY WITHOUT WRITTEN PERMISSION. OWNERSHIP AND COPYRIGHT OF CONEC GmbH							