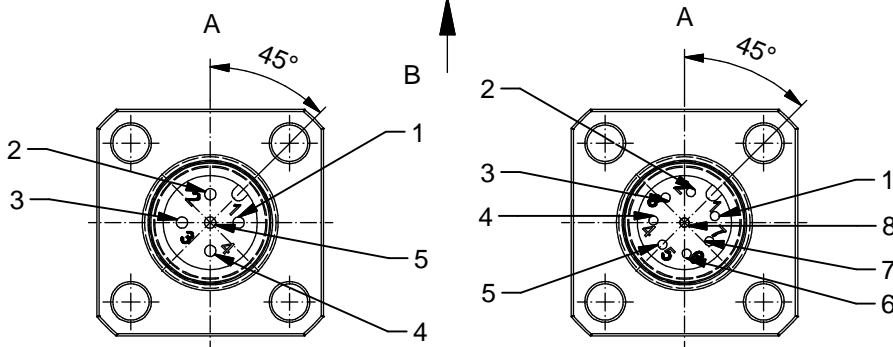


Technical specification:

| | | | |
|-------------------------------------|---------------------------|------------------|-----------|
| Rated voltage: IEC 61076-2-101 | 4pos 250 V | 5pos 60 V | 8pos 30 V |
| Current rating: IEC 61076-2-101 | 4/5pos 4 A at 40°C | 8pos 2 A at 40°C | |
| Insulation resistance: IEC 60512 | ≥100 MΩ | | |
| Pollution degree: IEC 60664-1 | 3/2 | | |
| Degree of protection: IEC 60529 | IP 67, in mated condition | | |
| Temperature range: IEC 60664-1 | -30°C ... +80°C | | |
| Mating cycles: IEC 60512-9a | ≥100 | | |

Materials:

| | |
|------------------|---------------------------|
| Contact: | CuZn |
| Contact plating: | Nickel, gold plated |
| Contact carrier: | PBT GF, UL 94 |
| Sealing: | NBR |
| Socket housing: | CuZn, nickel plated |
| Grouting: | Polyurethane-resin, UL 94 |

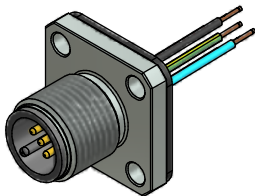
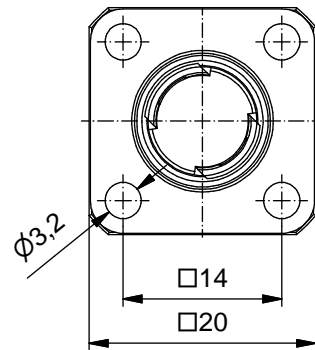


Contact assignment:

- 1 brown
- 2 white
- 3 blue
- 4 black
- 5 green-yellow

Contact assignment:

- 1 white
- 2 brown
- 3 green
- 4 yellow
- 5 grey
- 6 pink
- 7 blue
- 8 red



| Part no: | Description: | Pos | Length L: | Wire: |
|----------|------------------------------|-----|-----------|----------------|
| 43-01355 | SAL - 12 - FSV4 - 0,5 - 20 | 4 | 0,5m | AWG 24 PVC, UL |
| 43-01356 | SAL - 12 - FSV5 - 0,5 - 20 | 5 | 0,5m | |
| 43-01357 | SAL - 12 - FSV8 - 0,5 - 20 | 8 | 0,5m | |
| 43-xxxxx | SAL - 12 - FSV... - ... - 20 | x | x | |

| | | | | | | | | | | | | | |
|--|---|---|---|--|--|------|------|-------|----------|-------|-------|----------|---------|
| DO NOT ALTER CAD DRAWING BY HAND Directive 2002/95/EC RoHS compliant | Index: b 17.08.11 fro Ä3914 Data sheet revised, technical specification changed, Sleeve side B removed | dim. in mm | title: Male socket M12x1 with wire, with square | | | | | | | | | | |
| | tolerance of wire: L ≤ 0,5m: L + 20mm L > 0,5m: L + 4% | <table border="1" style="width: 100%; border-collapse: collapse;"> <tr> <td style="width: 30px;"></td> <td style="width: 100px;">date</td> <td style="width: 100px;">name</td> </tr> <tr> <td>drawn</td> <td>07.10.08</td> <td>Fromm</td> </tr> <tr> <td>appd.</td> <td>07.10.08</td> <td>Mankopf</td> </tr> </table> | | | | date | name | drawn | 07.10.08 | Fromm | appd. | 07.10.08 | Mankopf |
| | | date | name | | | | | | | | | | |
| | drawn | 07.10.08 | Fromm | | | | | | | | | | |
| appd. | 07.10.08 | Mankopf | | | | | | | | | | | |
| general tolerance: 0 ± 0,50mm 0,0 ± 0,25mm 0,00 ± 0,10mm | | | part no: | | | | | | | | | | |
| THIS DRAWING MAY NOT BE COPIED OR REPRODUCED IN ANY WAY, AND MAY NOT BE PASSED ON TO A THIRD PARTY WITHOUT WRITTEN PERMISSION. OWNERSHIP AND COPYRIGHT OF CONEC GmbH | | | | | | | | | | | | | |