

Technical specification:

Rated voltage: 4pos 5pos
IEC 61076-2-101 250 V 60V

Current rating: 4/5pos
IEC 61076-2-101 4 A at 40°C

Insulation resistance: >=100 MΩ
IEC 60512

Pollution degree: 3/2
IEC 60664-1

Degree of protection: IP 67, in mated condition
IEC 60529

Temperature range: -25°C ... +95°C
EN 60512-11-10 -40°C
EN 60512-11-4 -40°C ... +85°C

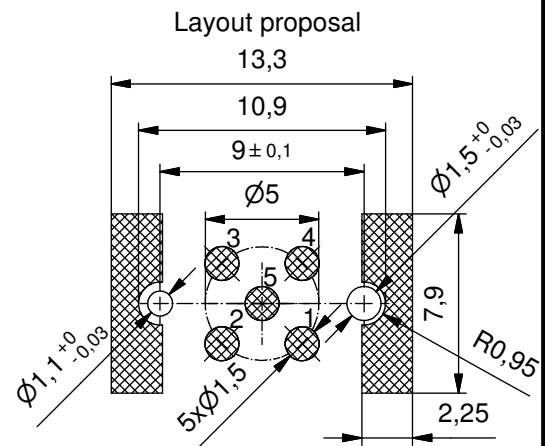
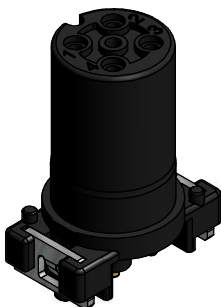
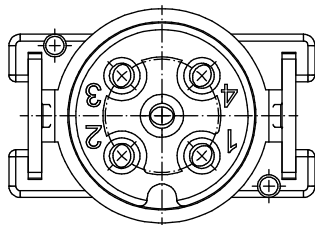
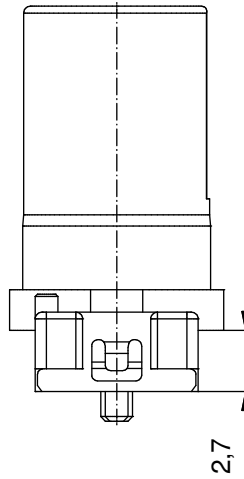
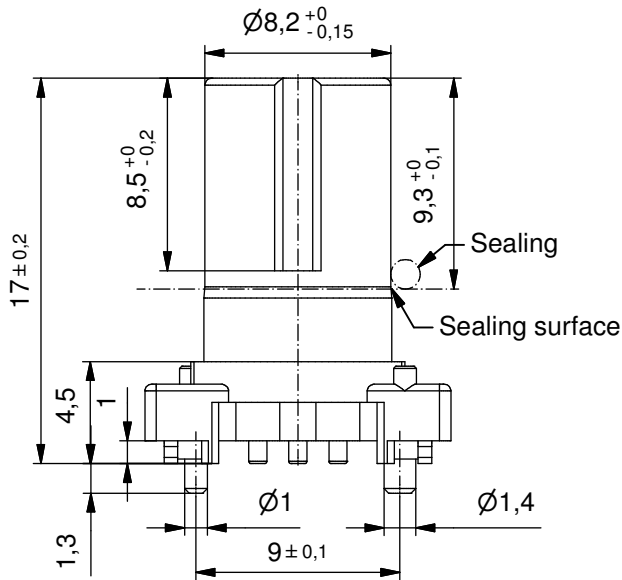
Mating cycles: >=100
IEC 60512-9a

Materials:

Contact: CuZn, Ni b / Au 0,2 gal.
Contact carrier: LCP GF, UL 94 V-0
Soldering sheet: CuZn, Ni / tin plated

Suitable for reflow soldering
max. 60s / 250°C

Coplanarity of all contacts and
soldering sheets max 0,1mm



Part no. packing unit Tape & Reel:	Part no. packing unit in bulk:	Description:	Pos
43-01848TR	43-01848	SAL - 12 - IK4 - X9 / SMT	4
43-01849TR	43-01849	SAL - 12 - IK5 - X9 / SMT	5

DO NOT ALTER CAD DRAWING BY HAND RoHS & REACH compliant	Index d 30.03.16 brü Ä6042 technical data changed & tolerance optimized		dim. in mm	title: Insulating body female M12x1 SMT	
					date
			name		dwg no: 43K1A1478
			drawn 12.10.11 Kniesburges		
		appd. 13.10.11 W.Schmidt	part no: see table		
general tolerance:		0 ± 0,50mm 0,0 ± 0,25mm 0,00 ± 0,10mm * ± 1,5°	CONEC®		
THIS DRAWING MAY NOT BE COPIED OR REPRODUCED IN ANY WAY, AND MAY NOT BE PASSED ON TO A THIRD PARTY WITHOUT WRITTEN PERMISSION. OWNERSHIP AND COPYRIGHT OF CONEC GmbH					