

Technical specification:

Rated voltage: IEC 61076-2-101	30 V
Current rating: IEC 61076-2-101	4 A at 40°C
Insulation resistance: IEC 60512	>=100 MΩ
Pollution degree: IEC 60664-1	3/2
Degree of protection: IEC 60529	IP 67, in mated condition
Temperature range:	-30°C ... +80°C
Mating cycles: IEC 60512-9a	>=100

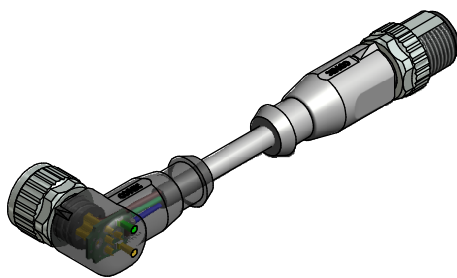
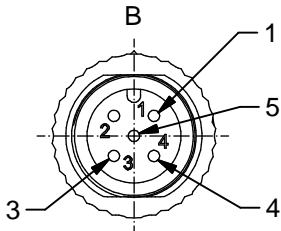
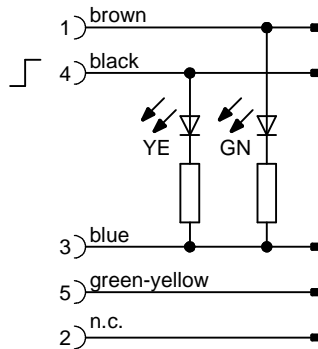
Materials:

Contact:	CuZn
Contact plating:	Nickel, gold plated
Contact carrier:	PA6, UL 94
Sealing:	FPM
Coupling nut/ screw:	GD-Zn, nickel plated
Moulding body axial:	TPU, UL 94, grey
Moulding body angled:	TPU, UL 94, translucent

Installation specification:

Recommended torque:	0,6 Nm
Conec installation tool:	Torque wrench: 36-000200 Insert across flats 13: 36-000220

Contact assignment:



D see data sheet cable

Part no:	Description:	Length L:	Cable:
43-10404	SAL - 12 - RKW5.2 - RS5.2 - 2L - 0,3 / A1	0,3m	PVC, grey, 4x0,34mm ² Cable: 781-A13400
43-10405	SAL - 12 - RKW5.2 - RS5.2 - 2L - 0,6 / A1	0,6m	
43-10406	SAL - 12 - RKW5.2 - RS5.2 - 2L - 1,5 / A1	1,5m	
43-10407	SAL - 12 - RKW5.2 - RS5.2 - 2L - 3 / A1	3m	
43-xxxxx	SAL - 12 - RKW5.2 - RS5.2 - 2L - ... / A1	x	

DO NOT ALTER CAD DRAWING BY HAND Directive 2002/95/EC RoHS compliant	dim. in mm		title: Connecting cable M12x1, female connector angled with LED - male connector axial						
	<table border="1"> <tr> <td>date</td> <td>name</td> </tr> <tr> <td>23.01.13</td> <td>Christen</td> </tr> <tr> <td>23.01.13</td> <td>Mankopf</td> </tr> </table>			date	name	23.01.13	Christen	23.01.13	Mankopf
	date	name							
	23.01.13	Christen							
23.01.13	Mankopf								
tolerance of cable: L <= 4m: L + 40mm L > 4m: L + 1%		part no:							
general tolerance: 0 ± 0,50mm 0,0 ± 0,25mm 0,00 ± 0,10mm									

THIS DRAWING MAY NOT BE COPIED OR REPRODUCED IN ANY WAY, AND MAY NOT BE PASSED ON TO A THIRD PARTY WITHOUT WRITTEN PERMISSION. OWNERSHIP AND COPYRIGHT OF CONEC GmbH

