

**Technical specification:**

Rated voltage: 5pos  
IEC 61076-2-101 60 V

Current rating: 4 A at 40°C  
IEC 61076-2-101

Insulation resistance: >=100 MΩ  
IEC 60512

Pollution degree: 3/2  
IEC 60664-1

Degree of protection: IP 67, in mated condition  
IEC 60529

Temperature range: -30°C ... +80°C  
IEC 60664-1

Mating cycles: >=100  
IEC 60512-9a

**Materials:**

Contact: CuZn

Contact plating: Nickel, gold plated

Contact carrier: PBT, UL 94

Sealing: FPM

Coupling nut/screw: GD-Zn, nickel plated

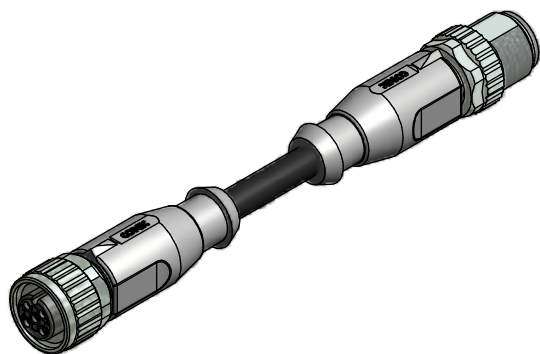
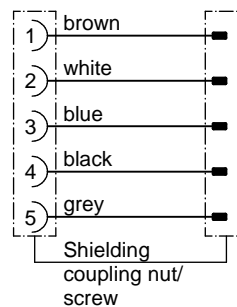
Moulding body: TPU, UL 94, grey

**Installation specification:**

Recommended torque: 0,6 Nm

Conec installation tool: Torque wrench: 36-000200  
Insert across flats 13: 36-000220

**Contact assignment:**



Part no:	Description:	Length L:	Cable:
43-10832	SAL - 12S - RK5.1 - RS5.1 - 0,3 / G2	0,3m	TPU, UL 20549, black, 5x0,25mm <sup>2</sup> Cable: 781-G22500
43-10833	SAL - 12S - RK5.1 - RS5.1 - 0,6 / G2	0,6m	
43-10834	SAL - 12S - RK5.1 - RS5.1 - 1,5 / G2	1,5m	
43-10835	SAL - 12S - RK5.1 - RS5.1 - 3,0 / G2	3m	
43-xxxxx	SAL - 12S - RK5.1 - RS5.1 - ... / G2	x	

D see data sheet cable

DO NOT ALTER CAD DRAWING BY HAND Directive 2002/95/EC RoHS compliant	Index: b 31.01.2011 VF Ä3767 Coupling nut/screw modified, spanner flats added, data sheet modified	dim. in mm	title: <b>Connecting cable M12x1, 360°-shielding, female connector axial - male connector axial</b>
	tolerance of cable: L ≤ 4m: L + 40mm L > 4m: L + 1%		
	THIS DRAWING MAY NOT BE COPIED OR REPRODUCED IN ANY WAY, AND MAY NOT BE PASSED ON TO A THIRD PARTY WITHOUT WRITTEN PERMISSION. OWNERSHIP AND COPYRIGHT OF CONEC GmbH		dwg no: <b>43K1A417</b>
			part no: see table