

Technical specification:

| | |
|-------------------------------------|---------------------------|
| Rated voltage: IEC 61076-2-101 | 6pos 30 V |
| Current rating: IEC 61076-2-101 | 2 A at 40°C |
| Insulation resistance: IEC 60512 | >=100 MΩ |
| Pollution degree: IEC 60664-1 | 3/2 |
| Degree of protection: IEC 60529 | IP 67, in mated condition |
| Temperature range: IEC 60664-1 | -30°C ... +80°C |
| Mating cycles: IEC 60512-9a | >=100 |

Materials:

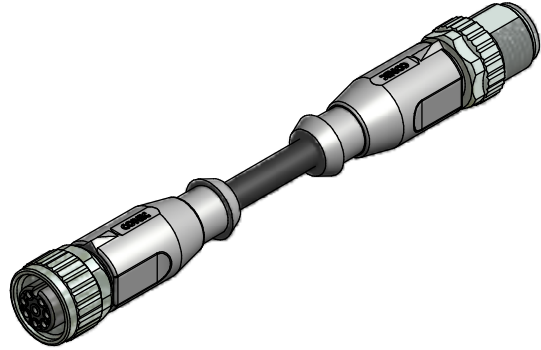
| | |
|-------------------------|----------------------|
| Contact: | CuZn |
| Contact plating: | Nickel, gold plated |
| Contact carrier: | TPU GF, UL 94 |
| Sealing: | FPM |
| Coupling nut/ screw: | GD-Zn, nickel plated |
| Moulding body: | TPU, UL 94, grey |

Installation specification:

| | |
|--------------------------|---|
| Recommended torque: | 0,6 Nm |
| Conec installation tool: | Torque wrench: 36-000200 Insert across flats 13: 36-000220 |

Contact assignment:

- 1) brown — 4) black
- 2) white — 6) grey
- 3) blue — 7) pink



| Part no: | Description: | Length L: | Cable: |
|----------|---------------------------------|-----------|---|
| 43-11078 | SAL - 12 - RK6 - RS6 - 0,3 / K1 | 0,3m | TPU, UL 20549, black, 6x0,25mm ² Cable: 781-K12600 |
| 43-11079 | SAL - 12 - RK6 - RS6 - 0,6 / K1 | 0,6m | |
| 43-11080 | SAL - 12 - RK6 - RS6 - 1,5 / K1 | 1,5m | |
| 43-11081 | SAL - 12 - RK6 - RS6 - 3,0 / K1 | 3m | |
| 43-xxxxx | SAL - 12 - RK6 - RS6 - ... / K1 | x | |

D see data sheet cable

| | | | | | | | | | | | | | | |
|---|-------------------------------------|---|---|--|-------|------|------|-------|----------|-------|-------|----------|---------|--|
| DO NOT ALTER CAD DRAWING BY HAND | Directive 2002/95/EC RoHS compliant | Index: a 26.01.2011 VF Ä3767 Coupling nut/screw modified, spanner flats added, data sheet modified | dim. in mm | title: Connecting cable M12x1, female connector axial - male connector axial | | | | | | | | | | |
| | | tolerance of cable: L ≤ 4m: L + 40mm L > 4m: L + 1% | <table border="1" style="width: 100%; border-collapse: collapse;"> <tr> <td style="width: 30px;"></td> <td style="width: 100px;">date</td> <td style="width: 100px;">name</td> </tr> <tr> <td>drawn</td> <td>08.03.07</td> <td>Fromm</td> </tr> <tr> <td>appd.</td> <td>08.03.07</td> <td>Mankopf</td> </tr> </table> | | | date | name | drawn | 08.03.07 | Fromm | appd. | 08.03.07 | Mankopf | dwg no: <div style="font-size: 18px; font-weight: bold; text-align: center;">43K1A455</div> |
| | | | date | | name | | | | | | | | | |
| | | drawn | 08.03.07 | | Fromm | | | | | | | | | |
| appd. | 08.03.07 | Mankopf | | | | | | | | | | | | |
| THIS DRAWING MAY NOT BE COPIED OR REPRODUCED IN ANY WAY, AND MAY NOT BE PASSED ON TO A THIRD PARTY WITHOUT WRITTEN PERMISSION. OWNERSHIP AND COPYRIGHT OF CONEC GmbH | | part no: <div style="font-size: 18px; font-weight: bold; text-align: center;">see table</div> | | | | | | | | | | | | |
| | | CONEC® | | | | | | | | | | | | |