

**Technical specification:**

Rated voltage: IEC 61076-2-104	3pos 60 V
Current rating: IEC 61076-2-104	3 A at 40°C
Insulation resistance: IEC 60512	>=100 MΩ
Pollution degree: IEC 60664-1	3/2
Degree of protection: IEC 60529	IP 67, in mated condition
Temperature range: IEC 60664-1	-30°C ... +80°C
Mating cycles: IEC 60512-9a	>=100

**Materials:**

Contact:	CuZn
Contact plating:	Nickel, gold plated
Contact carrier:	TPU GF, UL 94
Sealing:	FPM
Coupling nut/ screw:	GD-Zn, nickel plated
Moulding body:	TPU, UL 94, grey

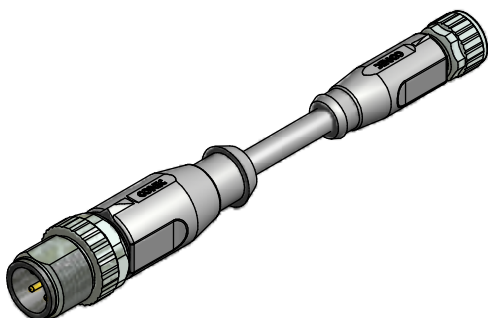
**Installation specification:**

Recommended torque M12x1:	0,6 Nm
Recommended torque M8x1:	0,4 Nm

Conec installation tool: Torque wrench: 36-000200  
 Insert across flats 13: 36-000220  
 Insert across flats 9: 36-000210

**Conact assignment:**

- 1 ■ brown
- 3 ■ blue
- 4 ■ black



Part no:	Description:	Length L:	Cable:
43-11446	SAL - 12 - RS3 - 8 - RK3 - 0,3 / A1	0,3m	PVC, grey, 3x0,25mm <sup>2</sup> Cable: 781-A12300
43-11447	SAL - 12 - RS3 - 8 - RK3 - 0,6 / A1	0,6m	
43-11448	SAL - 12 - RS3 - 8 - RK3 - 1,5 / A1	1,5m	
43-11449	SAL - 12 - RS3 - 8 - RK3 - 3 / A1	3m	
43-xxxxx	SAL - 12 - RS3 - 8 - RK3 - ... / A1	x	

D see data sheet cable

DO NOT ALTER CAD DRAWING BY HAND	Directive 2002/95/EC RoHS compliant	Index: a 09.02.11 VF Ä3767 Coupling nut/ screw modified, spanner flats added, data sheet modified	dim. in mm	title: <b>Connecting cable M12x1/ M8x1, male connector axial - female connector axial</b>		
		tolerance of cable: L ≤ 4m: L + 40mm L > 4m: L + 1%			date	name
		THIS DRAWING MAY NOT BE COPIED OR REPRODUCED IN ANY WAY, AND MAY NOT BE PASSED ON TO A THIRD PARTY WITHOUT WRITTEN PERMISSION. OWNERSHIP AND COPYRIGHT OF CONEC GmbH	drawn		03.01.08	Franz
			appd.		03.01.08	Mankopf
<b>CONEC</b> ®			dwg no: <b>43K1A586</b>			
			part no: <b>see table</b>			