

Technical specification:

| | |
|-------------------------------------|---------------------------|
| Rated voltage: IEC 61076-2-104 | 3pos 60 V |
| Current rating: IEC 61076-2-104 | 3 A at 40°C |
| Insulation resistance: IEC 60512 | >=100 MΩ |
| Pollution degree: IEC 60664-1 | 3/2 |
| Degree of protection: IEC 60529 | IP 67, in mated condition |
| Temperature range: IEC 60664-1 | -30°C ... +80°C |
| Mating cycles: IEC 60512-9a | >=100 |

Materials:

| | |
|-------------------------|----------------------|
| Contact: | CuZn |
| Contact plating: | Nickel, gold plated |
| Contact carrier: | TPU GF, UL 94 |
| Sealing: | FPM |
| Coupling nut/ screw: | GD-Zn, nickel plated |
| Moulding body: | TPU, UL 94, grey |

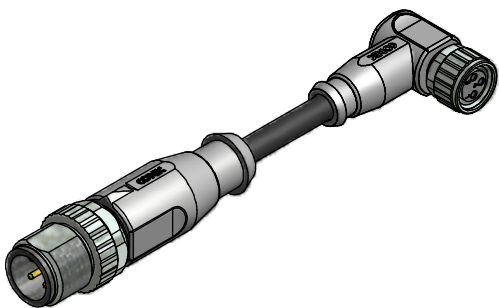
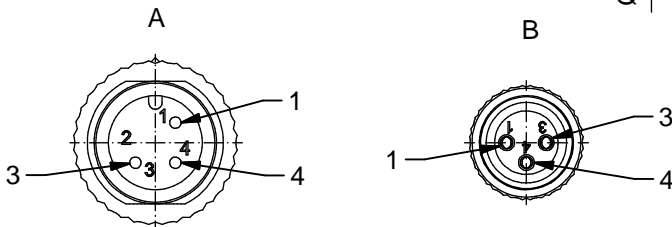
Installation specification:

| | |
|---------------------------|--------|
| Recommended torque M12x1: | 0,6 Nm |
| Recommended torque M8x1: | 0,4 Nm |

Conec installation tool: Torque wrench: 36-000200
 Insert across flats 13: 36-000220
 Insert across flats 9: 36-000210

Conact assignment:

- 1 ■ brown
- 3 ■ blue
- 4 ■ black



| Part no: | Description: | Length L: | Cable: |
|----------|--------------------------------------|-----------|--|
| 43-11458 | SAL - 12 - RS3 - 8 - RKW3 - 0,3 / K1 | 0,3m | TPU, UL 20549, black, 3x0,25mm ² Cable: 781-K12300 |
| 43-11459 | SAL - 12 - RS3 - 8 - RKW3 - 0,6 / K1 | 0,6m | |
| 43-11460 | SAL - 12 - RS3 - 8 - RKW3 - 1,5 / K1 | 1,5m | |
| 43-11461 | SAL - 12 - RS3 - 8 - RKW3 - 3 / K1 | 3m | |
| 43-xxxxx | SAL - 12 - RS3 - 8 - RKW3 - ... / K1 | x | |

D see data sheet cable

| | | | | | | |
|----------------------------------|-------------------------------------|---|----------------------------|---|----------|---------|
| DO NOT ALTER CAD DRAWING BY HAND | Directive 2002/95/EC RoHS compliant | Index: a 09.02.11 VF Ä3767 Coupling nut/ screw modified, spanner flats added, data sheet modified | dim. in mm | title: Connecting cable M12x1/ M8x1, male connector axial - female connector angled | | |
| | | tolerance of cable: L ≤ 4m: L + 40mm L > 4m: L + 1% | | | date | name |
| | | THIS DRAWING MAY NOT BE COPIED OR REPRODUCED IN ANY WAY, AND MAY NOT BE PASSED ON TO A THIRD PARTY WITHOUT WRITTEN PERMISSION. OWNERSHIP AND COPYRIGHT OF CONEC GmbH | drawn | | 03.01.08 | Franz |
| | | | appd. | | 03.01.08 | Mankopf |
| CONEC ® | | | dwg no: 43K1A589 | | | |
| | | | part no: see table | | | |