

Technical specification:

Rated voltage: IEC 61076-2-101	3pos 250 V
Current rating: IEC 61076-2-101	4 A at 40°C
Insulation resistance: IEC 60512	>=100 MΩ
Pollution degree: IEC 60664-1	3/2
Degree of protection: IEC 60529	IP 67, in mated condition
Temperature range: IEC 60664-1	-30°C ... +80°C
Mating cycles: IEC 60512-9a	>=100

Materials:

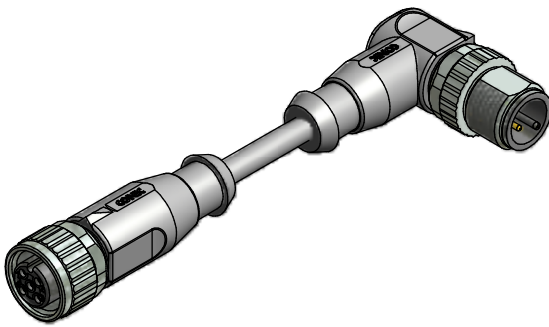
Contact:	CuZn
Contact plating:	Nickel, gold plated
Contact carrier:	TPU GF, UL 94
Sealing:	FPM
Coupling nut/ screw:	GD-Zn, nickel plated
Moulding body:	TPU, UL 94, grey

Installation specification:

Recommended torque:	0,6 Nm
Conec installation tool:	Torque wrench: 36-000200 Insert across flats 13: 36-000220

Contact assignment:

- 1) brown —
- 3) blue —
- 4) black —



Part no:	Description:	Length L:	Cable:
43-14593	SAL - 12 - RK3 - RSW3 - 0,3 / A1 / A1090	0,3m	PVC, grey, 3x0,34mm² Cable: 781-A13300
43-14594	SAL - 12 - RK3 - RSW3 - 0,6 / A1 / A1090	0,6m	
43-14595	SAL - 12 - RK3 - RSW3 - 1,5 / A1 / A1090	1,5m	
43-14596	SAL - 12 - RK3 - RSW3 - 3,0 / A1 / A1090	3m	
43-xxxxx	SAL - 12 - RK3 - RSW3 - ... / A1 / A1090	x	

D see data sheet cable

DO NOT ALTER CAD DRAWING BY HAND	Directive 2002/95/EC RoHS compliant	dim. in mm	title: Connecting cable M12x1, female connector axial - male connector angled										
		<table border="1" style="font-size: 8px;"> <tr> <td></td> <td>date</td> <td>name</td> </tr> <tr> <td>drawn</td> <td>17.01.11</td> <td>Franz</td> </tr> <tr> <td>appd.</td> <td>17.01.11</td> <td>Mankopf</td> </tr> </table>			date	name	drawn	17.01.11	Franz	appd.	17.01.11	Mankopf	dwg no: <div style="text-align: center; font-size: 14px; font-weight: bold;">43K1A1274</div>
				date	name								
		drawn		17.01.11	Franz								
appd.	17.01.11	Mankopf											
tolerance of cable: L ≤ 4m: L + 40mm L > 4m: L + 1%		part no: <div style="text-align: center; font-size: 14px; font-weight: bold;">see table</div>											
THIS DRAWING MAY NOT BE COPIED OR REPRODUCED IN ANY WAY, AND MAY NOT BE PASSED ON TO A THIRD PARTY WITHOUT WRITTEN PERMISSION. OWNERSHIP AND COPYRIGHT OF CONEC GmbH													