



**Technical specification:**

Rated voltage: 4pos  
IEC 61076-2-101 250 V

Current rating: 4 A at 40°C  
IEC 61076-2-101

Insulation resistance: >=100 MΩ  
IEC 60512

Pollution degree: 3/2  
IEC 60664-1

Degree of protection: IP 67, in mated condition  
IEC 60529

Temperature range: -30°C ... +80°C  
IEC 60664-1

Mating cycles: >=100  
IEC 60512-9a

**Materials:**

Contact: CuZn  
Contact plating: Nickel, gold plated  
Contact carrier: TPU GF, UL 94  
Sealing: FPM  
Coupling nut/  
screw: GD-Zn, nickel plated  
Moulding body: TPU, UL 94, grey

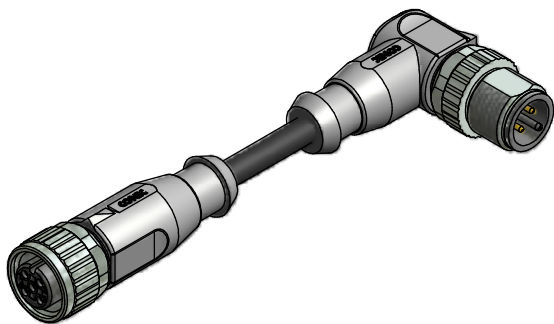
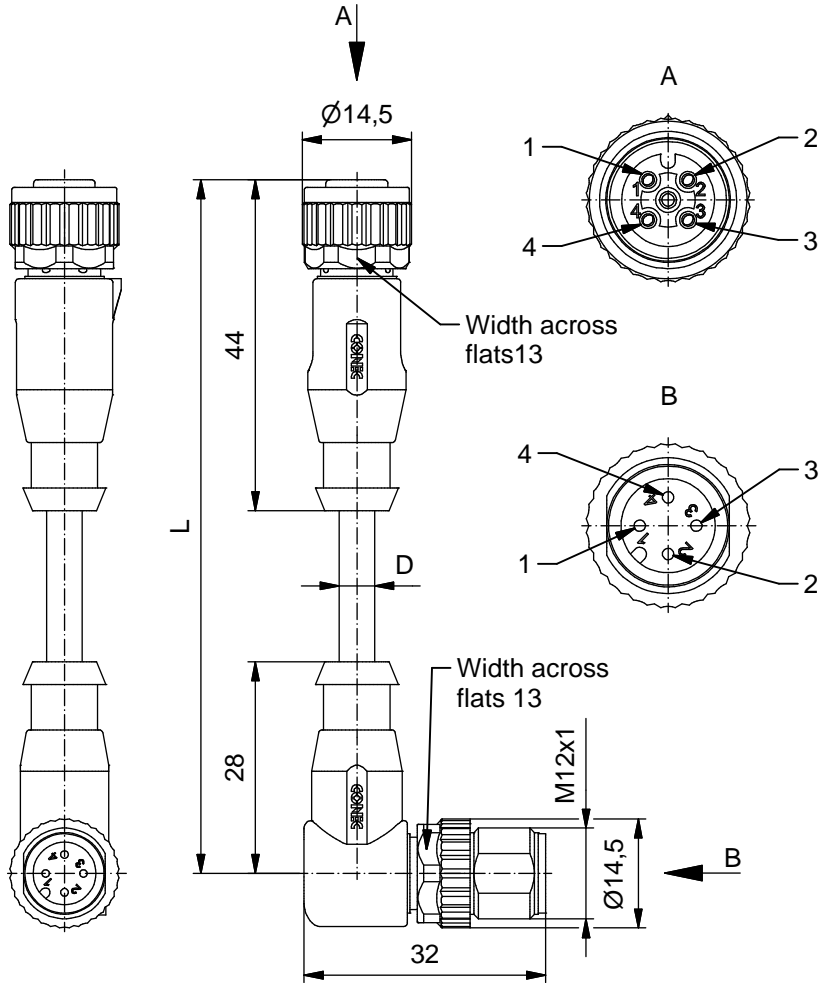
**Installation specification:**

Recommended torque: 0,6 Nm

Conec installation tool: Torque wrench: 36-000200  
Insert across flats 13: 36-000220

**Contact assignment:**

- 1) brown
- 2) white
- 3) blue
- 4) black



Part no:	Description:	Length L:	Cable:
43-14609	SAL - 12 - RK4 - RSW4 - 0,3 / K1 / A1090	0,3m	TPU, UL 20549, black, 4x0,34mm <sup>2</sup> Cable: 781-K13400
43-14610	SAL - 12 - RK4 - RSW4 - 0,6 / K1 / A1090	0,6m	
43-14611	SAL - 12 - RK4 - RSW4 - 1,5 / K1 / A1090	1,5m	
43-14612	SAL - 12 - RK4 - RSW4 - 3,0 / K1 / A1090	3m	
43-xxxxx	SAL - 12 - RK4 - RSW4 - ... / K1 / A1090	x	

D see data sheet cable

DO NOT ALTER CAD DRAWING BY HAND	Directive 2002/95/EC RoHS compliant	dim. in mm		title: <b>Connecting cable M12x1, female connector axial - male connector angled</b>		
		date	name			
		tolerance of cable: L ≤ 4m: L + 40mm L > 4m: L + 1%	drawn	17.01.11	Franz	dwg no:  <b>43K1A1278</b>
		THIS DRAWING MAY NOT BE COPIED OR REPRODUCED IN ANY WAY, AND MAY NOT BE PASSED ON TO A THIRD PARTY WITHOUT WRITTEN PERMISSION. OWNERSHIP AND COPYRIGHT OF CONEC GmbH	appd.	17.01.11	Mankopf	

