



Technical specification:

Rated voltage: 4pos
IEC 61076-2-101 250 V

Current rating: 4 A at 40°C
IEC 61076-2-101

Insulation resistance: >=100 MΩ
IEC 60512

Pollution degree: 3/2
IEC 60664-1

Degree of protection: IP 67, in mated condition
IEC 60529

Temperature range: -30°C ... +80°C
IEC 60664-1

Mating cycles: >=100
IEC 60512-9a

Materials:

- Contact: CuZn
- Contact plating: Nickel, gold plated
- Contact carrier: TPU GF, UL 94
- Sealing: FPM
- Coupling nut/screw: GD-Zn, nickel plated
- Moulding body: TPU, UL 94, grey

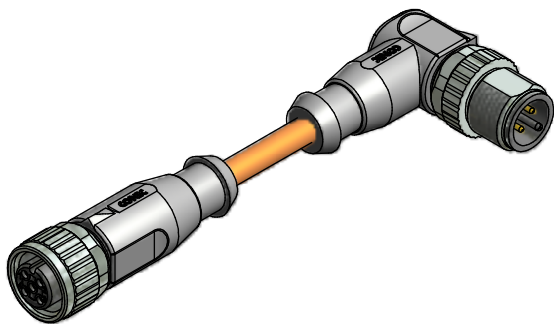
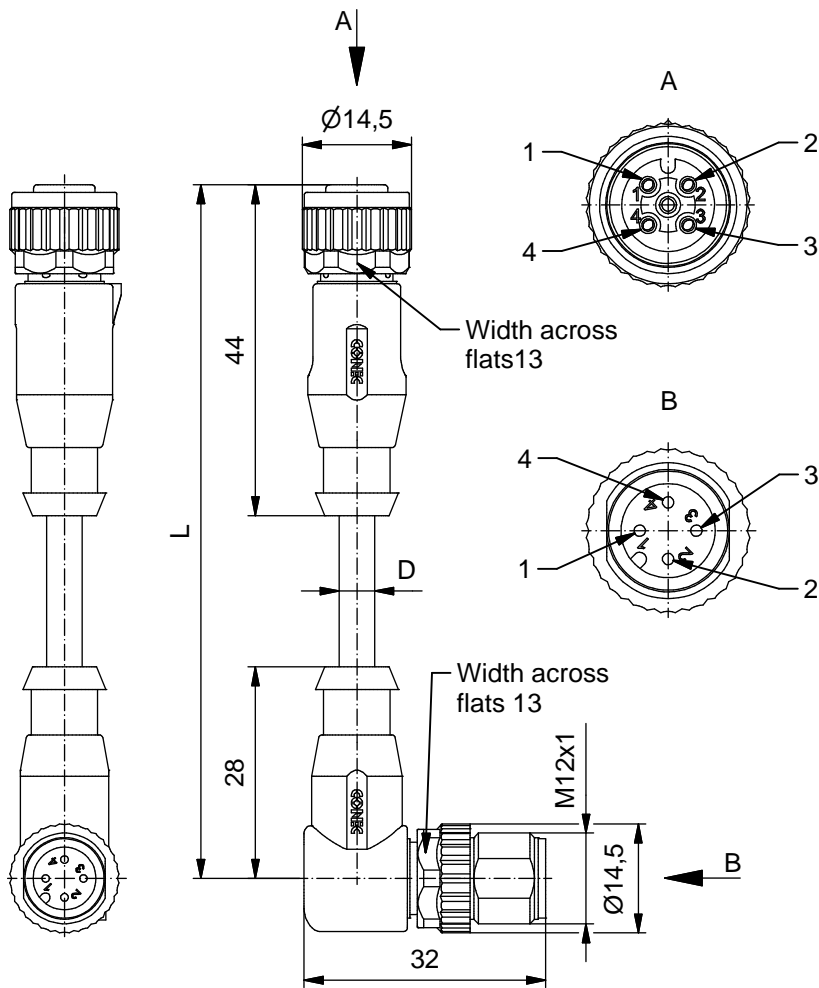
Installation specification:

Recommended torque: 0,6 Nm

Conec installation tool: Torque wrench: 36-000200
Insert across flats 13: 36-000220

Contact assignment:

- 1) brown
- 2) white
- 3) blue
- 4) black



Part no:	Description:	Length L:	Cable:
43-14613	SAL - 12 - RK4 - RSW4 - 0,3 / J1 / A1090	0,3m	TPU, UL 20549, orange, 4x0,34mm ² Cable: 781-J13400
43-14614	SAL - 12 - RK4 - RSW4 - 0,6 / J1 / A1090	0,6m	
43-14615	SAL - 12 - RK4 - RSW4 - 1,5 / J1 / A1090	1,5m	
43-14616	SAL - 12 - RK4 - RSW4 - 3,0 / J1 / A1090	3m	
43-xxxxx	SAL - 12 - RK4 - RSW4 - ... / J1 / A1090	x	

D see data sheet cable

DO NOT ALTER CAD DRAWING BY HAND	Directive 2002/95/EC RoHS compliant	dim. in mm		title: Connecting cable M12x1, female connector axial - male connector angled		
		date	name			
		tolerance of cable: L ≤ 4m: L + 40mm L > 4m: L + 1%	drawn	17.01.11	Franz	dwg no: 43K1A1279
		CONEC [®]	appd.	17.01.11	Mankopf	
THIS DRAWING MAY NOT BE COPIED OR REPRODUCED IN ANY WAY, AND MAY NOT BE PASSED ON TO A THIRD PARTY WITHOUT WRITTEN PERMISSION. OWNERSHIP AND COPYRIGHT OF CONEC GmbH						

