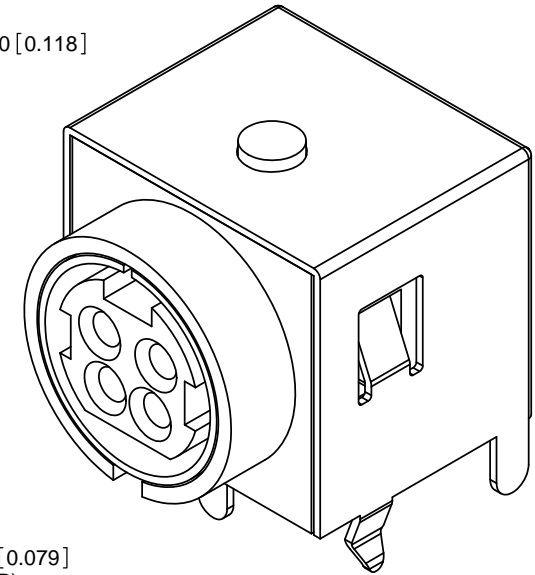
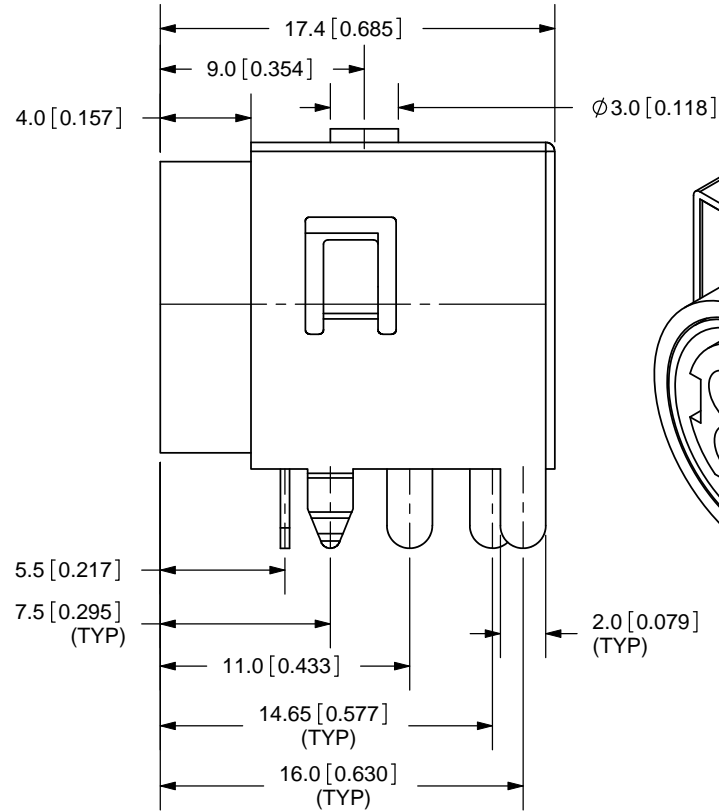
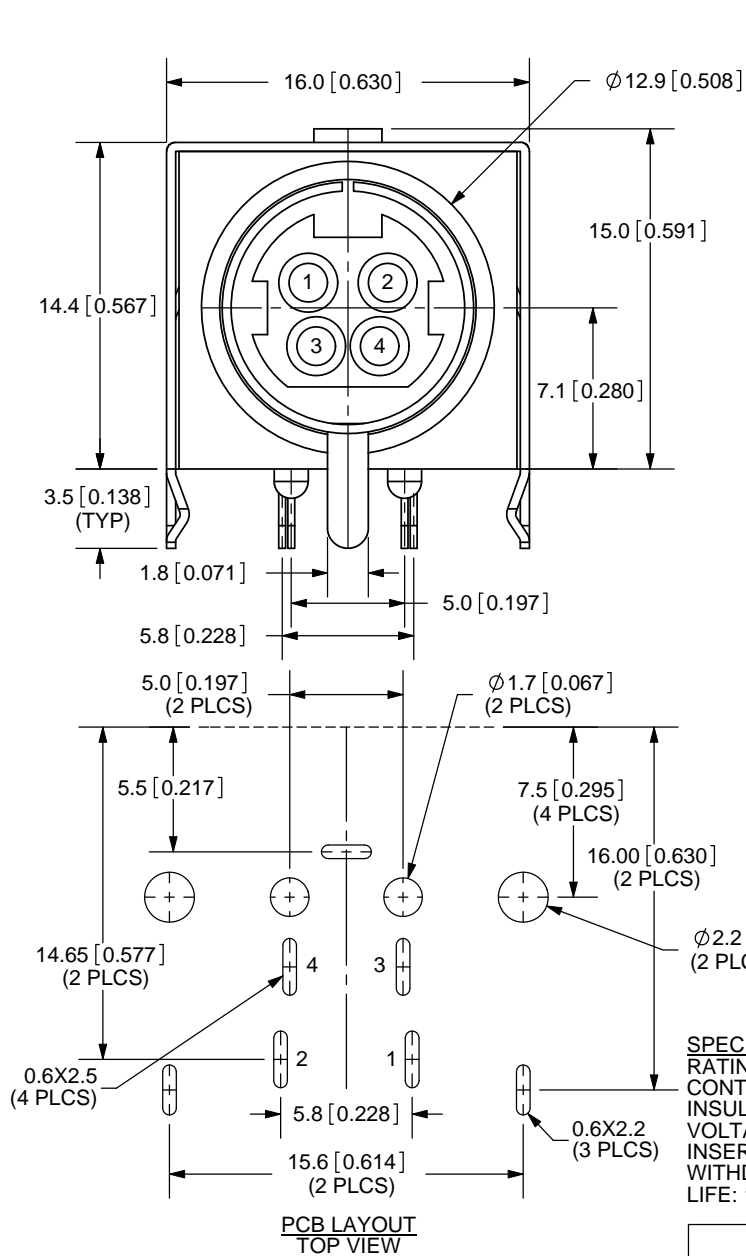


| REV. | DESCRIPTION | DATE |
|------|-------------------------------|------------|
| A | NEW DRAWING | 11/19/2008 |
| B | update to title and tolerance | 9/8/2009 |



TOLERANCE:
±0.2mm UNLESS OTHERWISE
SPECIFIED



20050 SW 112th Ave.
Tualatin, OR 97062
Phone: 503-612-2300
800-275-4899
Fax: 503-612-2383
Website: www.cui.com

SPECIFICATIONS:
 RATING: 20V DC @ 7.5A
 CONTACT RESISTANCE: 30m OHMS MAX
 INSULATION RESISTANCE: 50M OHMS MIN: 250V DC
 VOLTAGE WITHSTAND: 250V AC R.M.S. FOR 1 MINUTE
 INSERTION FORCE: 6.0KG MAX
 WITHDRAWAL FORCE: 0.5 - 6.0KG
 LIFE: 1,000 CYCLES

| | MATERIAL | PLATING | TITLE: 4-PIN POWER DIN JACK, RIGHT ANGLE, WITH SHIELDING | REV: B |
|----------------|----------|---------|---|--------------------|
| TERMINALS 1-4 | Brass | Tin | PART NO. PD-40S | UNITS: MM [INCHES] |
| EARTH TERMINAL | Brass | Tin | | |
| SHIELD | Steel | Tin | DRAWN BY: ZRJ | APPROVED BY: |
| HOUSING | PBT | | | |

PC FILE NAME:
PD-40S

COPYRIGHT 2008 BY CUI INC.