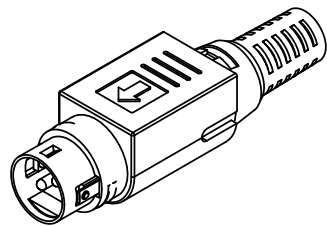
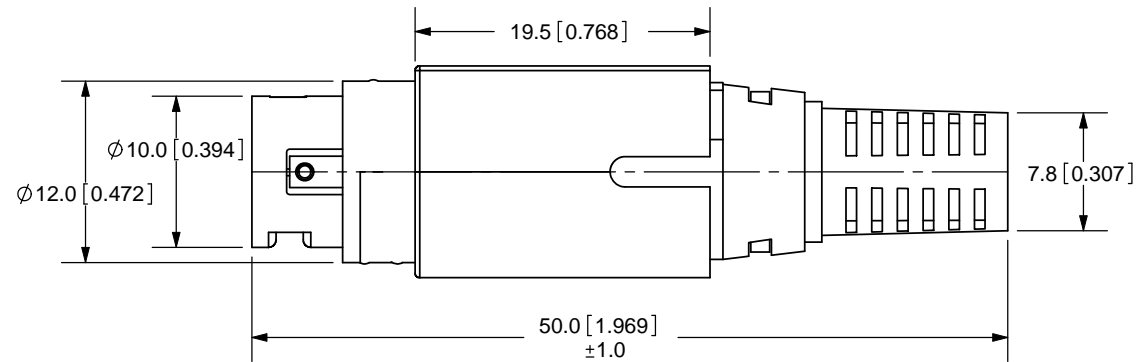
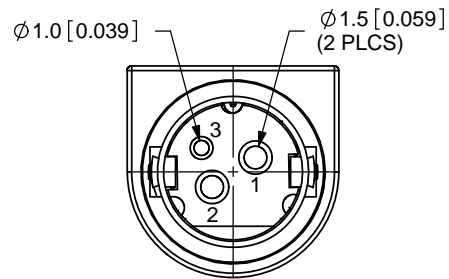
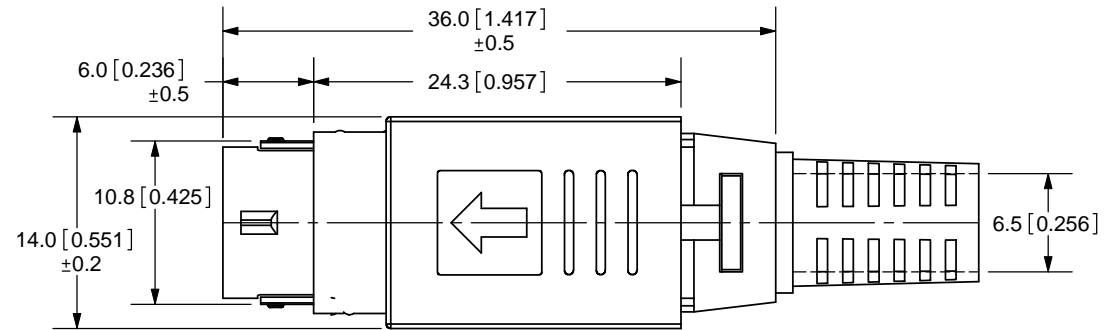


REV.	DESCRIPTION	DATE
A	NEW DRAWING	12/1/2008



SCALE: 1:2

SPECIFICATIONS:

RATING: PINS 1&2: 20V DC @ 7.5A

PIN 3: 20V DC @ 1A

INSULATION RESISTANCE: 50M OHMS MIN: 250V DC

VOLTAGE WITHSTAND: 250V AC R.M.S. FOR 1 MINUTE

LIFE: 5,000 CYCLES

TOLERANCE:
±0.2mm UNLESS OTHERWISE
SPECIFIED



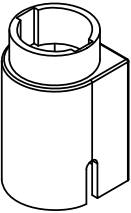

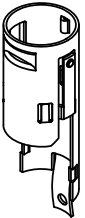


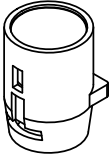
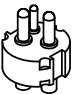

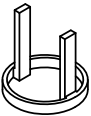
20050 SW 112th Ave.
Tualatin, OR 97062
Phone: 503-612-2300
800-275-4899
Fax: 503-612-2383
Website: www.cui.com

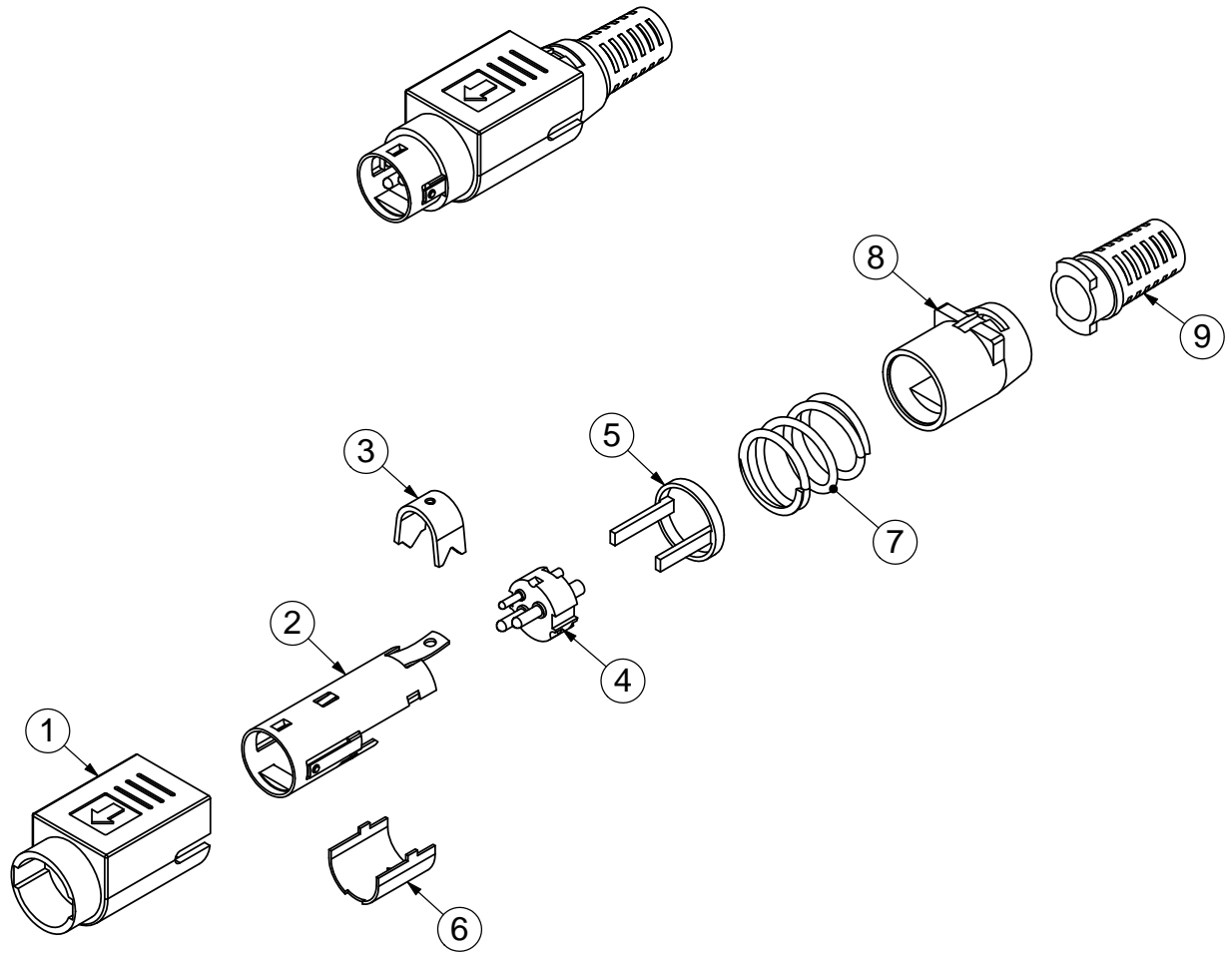
	MATERIAL	PLATING
OUTER HOOD	ABS	
METAL SLEEVE	Brass	Nickel
CLAMP	Brass	Nickel
PIN/BODY	Brass/PBT	Silver
PLASTIC RING	POM	
METAL COVER	Brass	Nickel
SPRING	Steel	
INNER HOOD	ABS	
STRAIN RELIEF	PVC	

TITLE: 3-PIN POWER DIN PLUG		REV: A
PART NO. PDP-30	UNITS: MM [INCHES]	
DRAWN BY: ZRJ	APPROVED BY:	SCALE: 2:1

PC FILE NAME:
PDP-30

COPYRIGHT 2008 BY CUI INC.

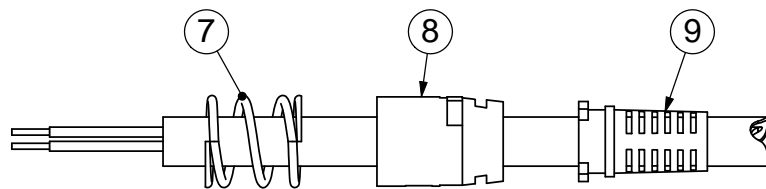
1		6	
outer hood		metal cover	
2		7	
metal sleeve		spring	
3		8	
clamp		inner hood	
4		9	
pin body		strain relief	
5			
plastic ring			



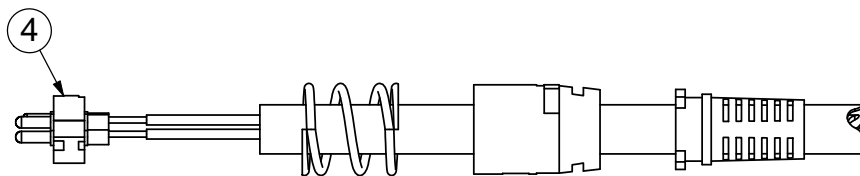
PC FILE NAME:
PDP-30

COPYRIGHT 2008 BY CUI INC.

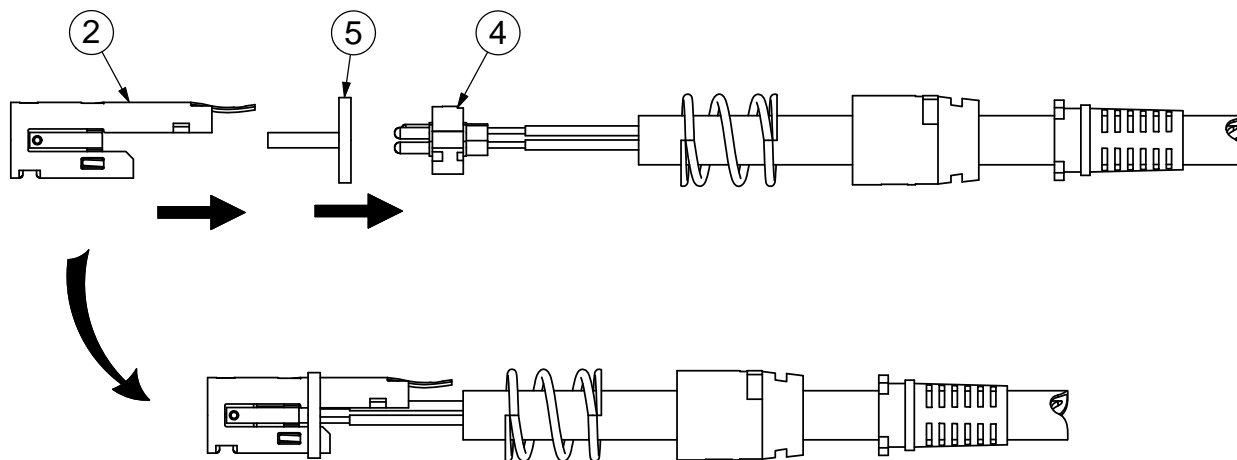
TITLE: 3-PIN POWER DIN PLUG		REV: A
PART NO. PDP-30	UNITS: MM [INCHES]	
DRAWN BY: ZRJ	APPROVED BY:	SCALE: 1:1



STEP 1
insert strain relief (9),
inner hood (8), and
spring (7) onto cable

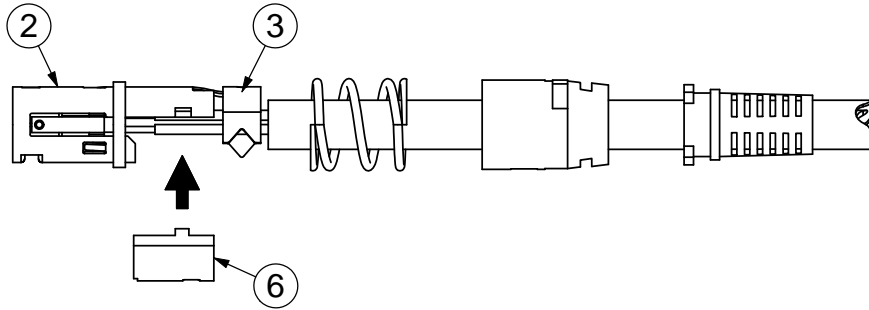


STEP 2
solder wires to
contacts on pin body (4)

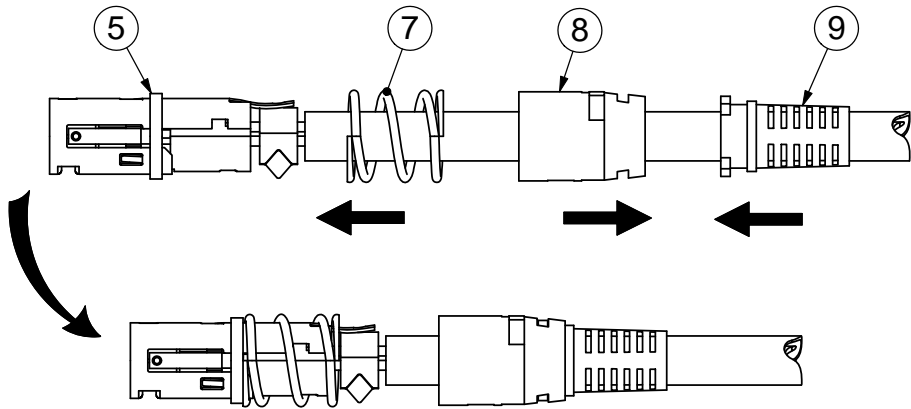


STEP 3
push pin body (4)
and plastic ring (5)
into metal sleeve (2)

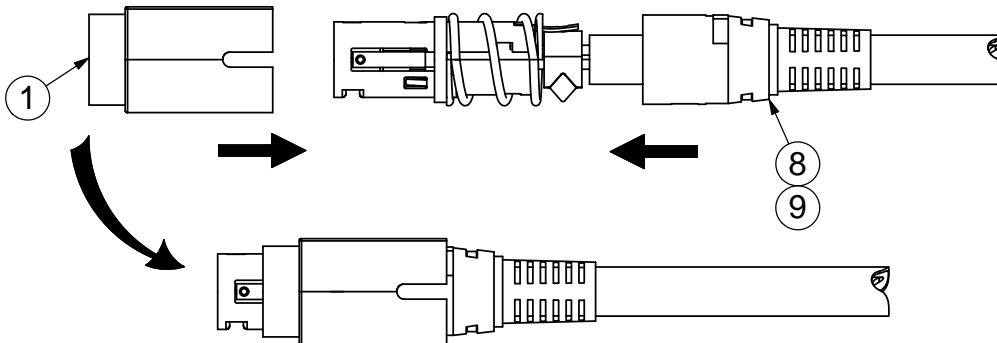
TITLE: 3-PIN POWER DIN PLUG		REV: A
PART NO. PDP-30		UNITS: MM [INCHES]
DRAWN BY: ZRJ	APPROVED BY:	SCALE: 1:1



STEP 4
 crimp the clamp (3)
 onto wires, assemble
 metal cover (6) onto
 metal sleeve (2)



STEP 5
 push spring (7) up
 to plastic ring (5),
 assemble inner hood (8)
 and strain relief (9)
 together



STEP 6
 push outer hood (1)
 and inner hood/
 strain relief (8,9)
 together

TITLE: 3-PIN POWER DIN PLUG		REV: A
PART NO. PDP-30	UNITS: MM [INCHES]	
DRAWN BY: ZRJ	APPROVED BY:	SCALE: 1:1