

64 Kbit (8 K x 8) SoftStore nvSRAM

Features

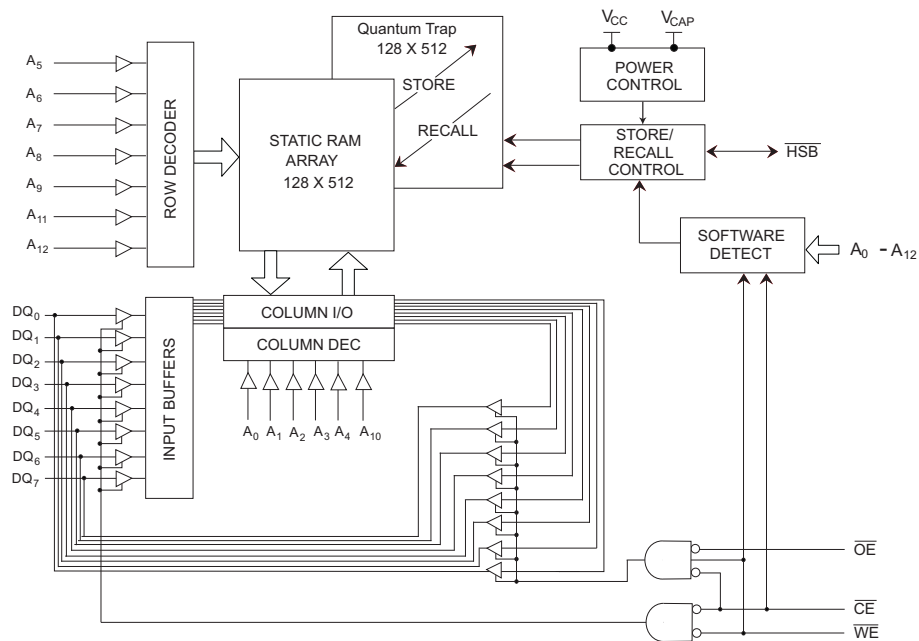
- 35 ns, 45 ns, and 55 ns access times
- Pin compatible with industry standard SRAMs
- Software initiated nonvolatile STORE
- Unlimited Read and Write endurance
- Automatic RECALL to SRAM on power-up
- Unlimited RECALL cycles
- 1,000,000 STORE cycles
- 100 year data retention
- Single 5 V ± 10% operation
- Military temperature
- 28-pin (300 mil) CDIP and 28-pad LCC packages

Functional Description

The Cypress STK11C68-5 is a 64 Kb fast static RAM with a nonvolatile element in each memory cell. The embedded nonvolatile elements incorporate QuantumTrap technology to produce the world's most reliable nonvolatile memory. The SRAM provides unlimited read and write cycles, while independent nonvolatile data resides in the highly reliable QuantumTrap cell. Data transfers under software control from SRAM to the nonvolatile elements (the STORE operation). On power-up, data is automatically restored to the SRAM (the RECALL operation) from the nonvolatile memory. RECALL operations are also available under software control.

For a complete list of related documentation, click [here](#).

Logic Block Diagram



Contents

Pinouts	3	Thermal Resistance	7
Pin Definitions	3	AC Test Conditions	7
Device Operation	4	SRAM Read Cycle	8
SRAM Read	4	SRAM Write Cycle.....	9
SRAM Write	4	AutoStore INHIBIT or Power Up RECALL	10
Software STORE	4	Software Controlled STORE/RECALL Cycle	11
Software RECALL	4	Part Numbering Nomenclature	12
Hardware RECALL (Power Up)	4	Ordering Information	13
Hardware Protect	4	Acronyms	16
Noise Considerations	4	Document Conventions	16
Low Average Active Power	5	Units of Measure	16
Best Practices	5	Document History Page	17
Maximum Ratings	6	Sales, Solutions, and Legal Information	18
Operating Range	6	Worldwide Sales and Design Support.....	18
DC Electrical Characteristics	6	Products	18
Data Retention and Endurance	6	PSoC Solutions	18
Capacitance	6		

Pinouts

Figure 1. Pin Diagram - 28-Pin CDIP

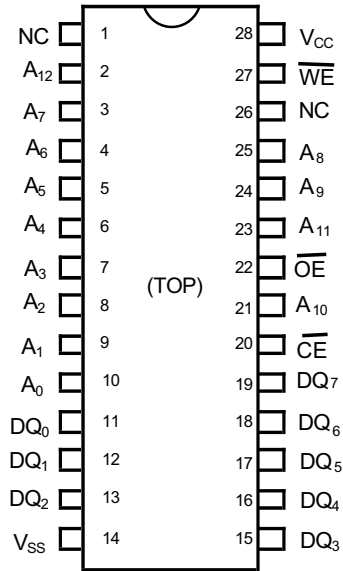
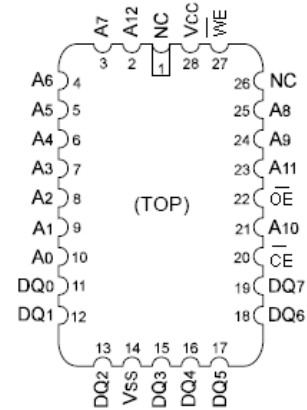


Figure 2. Pin Diagram - 28-Pin LCC



Pin Definitions

Pin Name	Alt	I/O Type	Description
A ₀ -A ₁₂		Input	Address Inputs. Used to select one of the 8,192 bytes of the nvSRAM.
DQ ₀ -DQ ₇		Input/Output	Bidirectional Data I/O Lines. Used as input or output lines depending on operation.
\overline{WE}	\overline{W}	Input	Write Enable Input, Active LOW. When the chip is enabled and \overline{WE} is LOW, data on the I/O pins is written to the specific address location.
\overline{CE}	\overline{E}	Input	Chip Enable Input, Active LOW. When LOW, selects the chip. When HIGH, deselects the chip.
\overline{OE}	\overline{G}	Input	Output Enable, Active LOW. The active LOW \overline{OE} input enables the data output buffers during read cycles. Deasserting \overline{OE} HIGH causes the I/O pins to tristate.
V _{SS}		Ground	Ground for the Device. The device is connected to ground of the system.
V _{CC}		Power Supply	Power Supply Inputs to the Device.

Device Operation

The STK11C68-5 (SMD5962-92324) is a versatile memory chip that provides several modes of operation. The STK11C68-5 (SMD5962-92324) can operate as a standard 8K x 8 SRAM. It has an 8K x 8 Nonvolatile Elements shadow to which the SRAM information can be copied or from which the SRAM can be updated in nonvolatile mode.

SRAM Read

The STK11C68-5 (SMD5962-92324) performs a Read cycle whenever \overline{CE} and \overline{OE} are LOW while \overline{WE} is HIGH. The address specified on pins A_{0-12} determines the 8,192 data bytes accessed. When the Read is initiated by an address transition, the outputs are valid after a delay of t_{AA} (Read cycle 1). If the Read is initiated by \overline{CE} or \overline{OE} , the outputs are valid at t_{ACE} or at t_{DOE} , whichever is later (Read cycle 2). The data outputs repeatedly respond to address changes within the t_{AA} access time without the need for transitions on any control input pins. They remain valid until another address change or until \overline{CE} or \overline{OE} is brought HIGH, or \overline{WE} is brought LOW.

SRAM Write

A Write cycle is performed whenever \overline{CE} and \overline{WE} are LOW. The address inputs must be stable before entering the Write cycle and must remain stable until either \overline{CE} or \overline{WE} goes HIGH at the end of the cycle. The data on the common I/O pins DQ_{0-7} are written into the memory if it has valid t_{SD} . This is done before the end of a \overline{WE} controlled Write or before the end of an \overline{CE} controlled Write. Keep \overline{OE} HIGH during the entire Write cycle to avoid data bus contention on common I/O lines. If \overline{OE} is left LOW, internal circuitry turns off the output buffers t_{HZWE} after \overline{WE} goes LOW.

Software STORE

Data is transferred from the SRAM to the nonvolatile memory by a software address sequence. The STK11C68-5 (SMD5962-92324) software STORE cycle is initiated by executing sequential \overline{CE} controlled Read cycles from six specific address locations in exact order. During the STORE cycle, an erase of the previous nonvolatile data is first performed followed by a program of the nonvolatile elements. When a STORE cycle is initiated, input and output are disabled until the cycle is completed.

Because a sequence of Reads from specific addresses is used for STORE initiation, it is important that no other Read or Write accesses intervene in the sequence. If they intervene, the sequence is aborted and no STORE or RECALL takes place.

To initiate the software STORE cycle, the following Read sequence is performed:

1. Read address 0x0000, Valid READ
2. Read address 0x1555, Valid READ
3. Read address 0x0AAA, Valid READ
4. Read address 0x1FFF, Valid READ
5. Read address 0x10F0, Valid READ
6. Read address 0x0F0F, Initiate STORE cycle

The software sequence is clocked with \overline{CE} controlled Reads. When the sixth address in the sequence is entered, the STORE cycle commences and the chip is disabled. It is important that Read cycles and not Write cycles are used in the sequence. It is not necessary that \overline{OE} is LOW for a valid sequence. After the t_{STORE} cycle time is fulfilled, the SRAM is again activated for Read and Write operation.

Software RECALL

Data is transferred from the nonvolatile memory to the SRAM by a software address sequence. A software RECALL cycle is initiated with a sequence of Read operations in a manner similar to the software STORE initiation. To initiate the RECALL cycle, the following sequence of \overline{CE} controlled Read operations is performed:

1. Read address 0x0000, Valid READ
2. Read address 0x1555, Valid READ
3. Read address 0x0AAA, Valid READ
4. Read address 0x1FFF, Valid READ
5. Read address 0x10F0, Valid READ
6. Read address 0x0F0E, Initiate RECALL cycle

Internally, RECALL is a two step procedure. First, the SRAM data is cleared; then, the nonvolatile information is transferred into the SRAM cells. After the t_{RECALL} cycle time, the SRAM is again ready for Read and Write operations. The RECALL operation does not alter the data in the nonvolatile elements. The nonvolatile data can be recalled for an unlimited number of times.

Hardware RECALL (Power Up)

During power up or after any low-power condition ($V_{CC} < V_{RESET}$), an internal RECALL request is latched. When V_{CC} once again exceeds the sense voltage of V_{SWITCH} , a RECALL cycle is automatically initiated and takes $t_{HRECALL}$ to complete.

If the STK11C68-5 (SMD5962-92324) is in a Write state at the end of power-up RECALL, the SRAM data is corrupted. To help avoid this situation, a 10 k Ω resistor is connected either between \overline{WE} and system V_{CC} or between \overline{CE} and system V_{CC} .

Hardware Protect

The STK11C68-5 (SMD5962-92324) offers hardware protection against inadvertent STORE operation and SRAM Writes during low voltage conditions. When $V_{CAP} < V_{SWITCH}$, all externally initiated STORE operations and SRAM Writes are inhibited.

Noise Considerations

The STK11C68-5 (SMD5962-92324) is a high-speed memory. It must have a high frequency bypass capacitor of approximately 0.1 μ F connected between V_{CC} and V_{SS} using leads and traces that are as short as possible. As with all high-speed CMOS ICs, careful routing of power, ground, and signals reduce circuit noise.

Low Average Active Power

CMOS technology provides the STK11C68-5 (SMD5962-92324) the benefit of drawing significantly less current when it is cycled at times longer than 50 ns. Figure 3 and Figure 4 shows the relationship between I_{CC} and Read or Write cycle time. Worst case current consumption is shown for both CMOS and TTL input levels (commercial temperature range, $V_{CC} = 5.5\text{ V}$, 100% duty cycle on chip enable). Only standby current is drawn when the chip is disabled. The overall average current drawn by the STK11C68-5 (SMD5962-92324) depends on the following items:

- Duty cycle of chip enable
- Overall cycle rate for accesses
- Ratio of Reads to Writes
- CMOS versus TTL input levels
- Operating temperature
- V_{CC} level
- I/O loading

Figure 3. Current Versus Cycle Time (Read)

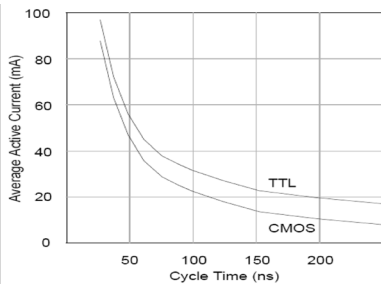


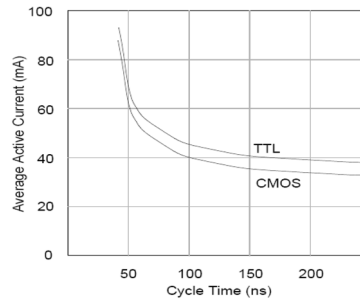
Table 1. Hardware Mode Selection

\overline{CE}	\overline{WE}	A12-A0	Mode	I/O	Notes
L	H	0x0000 0x1555 0x0AAA 0x1FFF 0x10F0 0x0F0F	Read SRAM Read SRAM Read SRAM Read SRAM Read SRAM Nonvolatile STORE	Output Data Output Data Output Data Output Data Output Data Output High Z	[1]
L	H	0x0000 0x1555 0x0AAA 0x1FFF 0x10F0 0x0F0E	Read SRAM Read SRAM Read SRAM Read SRAM Read SRAM Nonvolatile RECALL	Output Data Output Data Output Data Output Data Output Data Output High Z	[1]

Note

1. The six consecutive addresses must be in the order listed. \overline{WE} must be high during all six consecutive \overline{CE} controlled cycles to enable a nonvolatile cycle.

Figure 4. Current Versus Cycle Time (Write)



Best Practices

Cypress nvSRAM products have been used effectively for over 15 years. While ease of use is one of the product’s main system values, the experience gained from working with hundreds of applications has resulted in the following suggestions as best practices:

- The nonvolatile cells in an nvSRAM are programmed on the test floor during final test and quality assurance. Incoming inspection routines at customer or contract manufacturer’s sites sometimes reprograms these values. Final NV patterns are typically repeating patterns of AA, 55, 00, FF, A5, or 5A. The end product’s firmware must not assume that an NV array is in a set programmed state. Routines that check memory content values to determine first time system configuration.
- Cold or warm boot status, and so on must always program a unique NV pattern (for example, complex 4-byte pattern of 46 E6 49 53 hex or more random bytes) as part of the final system manufacturing test. This is to ensure these system routines work consistently.

Maximum Ratings

Exceeding maximum ratings may shorten the useful life of the device. These user guidelines are not tested.

Storage Temperature -65 °C to +150 °C
 Temperature under bias..... -55 °C to +125 °C
 Supply Voltage on V_{CC} Relative to GND -0.5 V to 7.0 V
 Voltage on Input Relative to V_{SS} -0.6 V to V_{CC} + 0.5 V

Voltage on DQ₀₋₇ -0.5 V to V_{CC} + 0.5 V
 Power Dissipation 1.0 W
 DC Output Current (1 output at a time, 1s duration).... 15 mA

Operating Range

Range	Ambient Temperature	V _{CC}
Military	-55 °C to +125 °C	4.5 V to 5.5 V

DC Electrical Characteristics

Over the operating range (V_{CC} = 4.5 V to 5.5 V)

Parameter	Description	Test Conditions	Min	Max	Unit
I _{CC1}	Average V _{CC} current	t _{RC} = 35 ns t _{RC} = 45 ns t _{RC} = 55 ns Dependent on output loading and cycle rate. Values obtained without output loads. I _{OUT} = 0 mA	–	75 65 55	mA mA mA
I _{CC2}	Average V _{CC} current during STORE	All Inputs Do Not Care, V _{CC} = Max Average current for duration t _{STORE}	–	3	mA
I _{CC3}	Average V _{CC} current at t _{RC} = 200 ns, 5 V, 25 °C Typical	$\overline{WE} \geq (V_{CC} - 0.2 V)$. All other inputs cycling. Dependent on output loading and cycle rate. Values obtained without output loads.	–	10	mA
I _{SB1} ^[2]	V _{CC} standby current (Standby, Cycling TTL Input Levels)	t _{RC} = 35 ns, $\overline{CE} \geq V_{IH}$ t _{RC} = 45 ns, $\overline{CE} \geq V_{IH}$ t _{RC} = 55 ns, $\overline{CE} \geq V_{IH}$	–	24 21 20	mA mA mA
I _{SB2} ^[2]	V _{CC} standby current	$\overline{CE} \geq (V_{CC} - 0.2 V)$. All others V _{IN} ≤ 0.2 V or ≥ (V _{CC} – 0.2 V). Standby current level after nonvolatile cycle is complete. Inputs are static. f = 0 MHz	–	1500	μA
I _{IX}	Input leakage current	V _{CC} = Max, V _{SS} ≤ V _{IN} ≤ V _{CC}	–1	+1	μA
I _{OZ}	Off state output Leakage current	V _{CC} = Max, V _{SS} ≤ V _{IN} ≤ V _{CC} , \overline{CE} or $\overline{OE} \geq V_{IH}$ or $\overline{WE} \leq V_{IL}$	–5	+5	μA
V _{IH}	Input HIGH voltage		2.2	V _{CC} + 0.5	V
V _{IL}	Input LOW voltage		V _{SS} – 0.5	0.8	V
V _{OH}	Output HIGH voltage	I _{OUT} = –4 mA	2.4	–	V
V _{OL}	Output LOW voltage	I _{OUT} = 8 mA	–	0.4	V

Data Retention and Endurance

Parameter	Description	Min	Unit
DATA _R	Data retention	100	Years
NV _C	Nonvolatile STORE operations	1,000	K

Capacitance

In this table, the capacitance parameters are listed.^[3]

Parameter	Description	Test Conditions	Max	Unit
C _{IN}	Input capacitance	T _A = 25 °C, f = 1 MHz, V _{CC} = 0 to 3.0 V	8	pF
C _{OUT}	Output capacitance		7	pF

Note

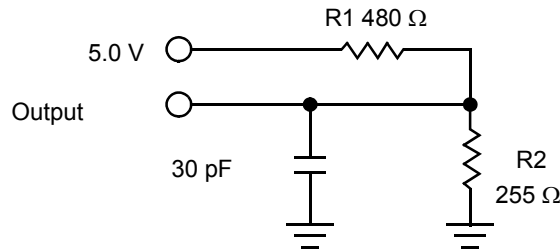
- $\overline{CE} \geq V_{IH}$ does not produce standby current levels until any nonvolatile cycle in progress has timed out.
- These parameters are guaranteed by design and are not tested.

Thermal Resistance

In this table, the thermal resistance parameters are listed.^[4]

Parameter	Description	Test Conditions	28-CDIP	28-LCC	Unit
Θ_{JA}	Thermal resistance (junction to ambient)	Test conditions follow standard test methods and procedures for measuring thermal impedance, per EIA / JESD51.	TBD	TBD	°C/W
Θ_{JC}	Thermal resistance (junction to case)		TBD	TBD	°C/W

Figure 5. AC Test Loads



AC Test Conditions

Input Pulse Levels 0 V to 3 V
 Input Rise and Fall Times (10% to 90%) ≤5 ns
 Input and Output Timing Reference Levels 1.5V

Note
 4. These parameters are guaranteed by design and are not tested.

AC Switching Characteristics

SRAM Read Cycle

Parameter		Description	35 ns		45 ns		55 ns		Unit
Cypress Parameter	Alt		Min	Max	Min	Max	Min	Max	
t_{ACE}	t_{ELQV}	Chip enable access time	–	35	–	45	–	55	ns
$t_{RC}^{[5]}$	t_{AVAV}, t_{ELEH}	Read cycle time	35	–	45	–	55	–	ns
$t_{AA}^{[6]}$	t_{AVQV}	Address access time	–	35	–	45	–	55	ns
t_{DOE}	t_{GLQV}	Output enable to data valid	–	15	–	20	–	35	ns
$t_{OHA}^{[6]}$	t_{AXQX}	Output hold after address change	5	–	5	–	5	–	ns
$t_{LZCE}^{[7]}$	t_{ELQX}	Chip enable to output active	5	–	5	–	5	–	ns
$t_{HZCE}^{[7]}$	t_{EHQZ}	Chip disable to output inactive	–	13	–	15	–	25	ns
$t_{LZOE}^{[7]}$	t_{GLQX}	Output enable to output active	0	–	0	–	0	–	ns
$t_{HZOE}^{[7]}$	t_{GHQZ}	Output disable to output inactive	–	13	–	15	–	25	ns
$t_{PU}^{[8]}$	t_{ELICCH}	Chip enable to power active	0	–	0	–	0	–	ns
$t_{PD}^{[8]}$	t_{EHICCL}	Chip disable to power standby	–	35	–	45	–	55	ns

Switching Waveforms

Figure 6. SRAM Read Cycle 1: Address Controlled [5, 6]

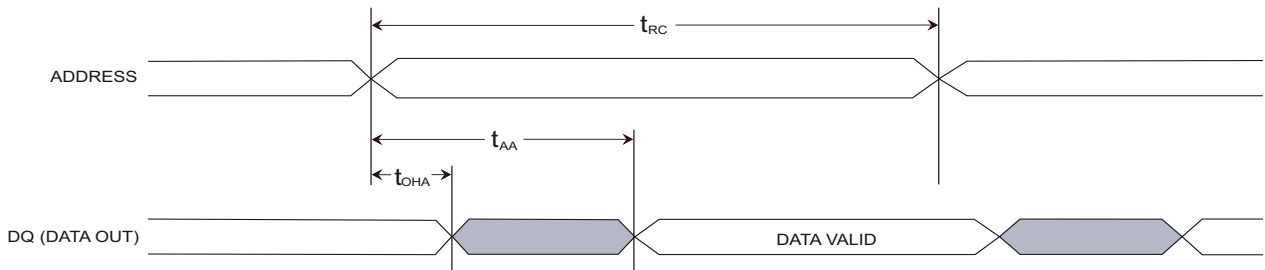
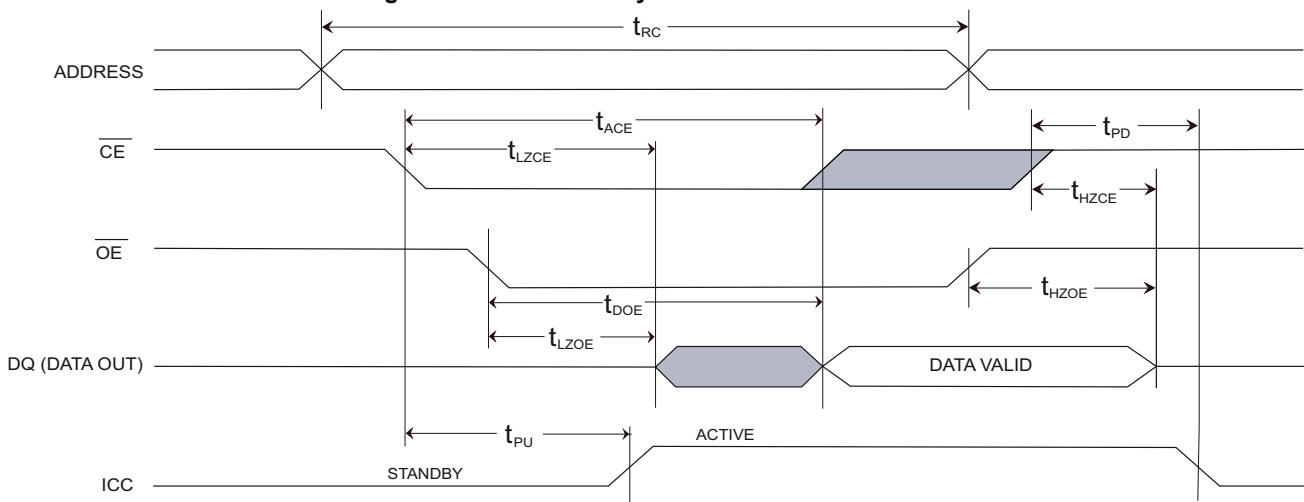


Figure 7. SRAM Read Cycle 2: \overline{CE} and \overline{OE} Controlled [5]

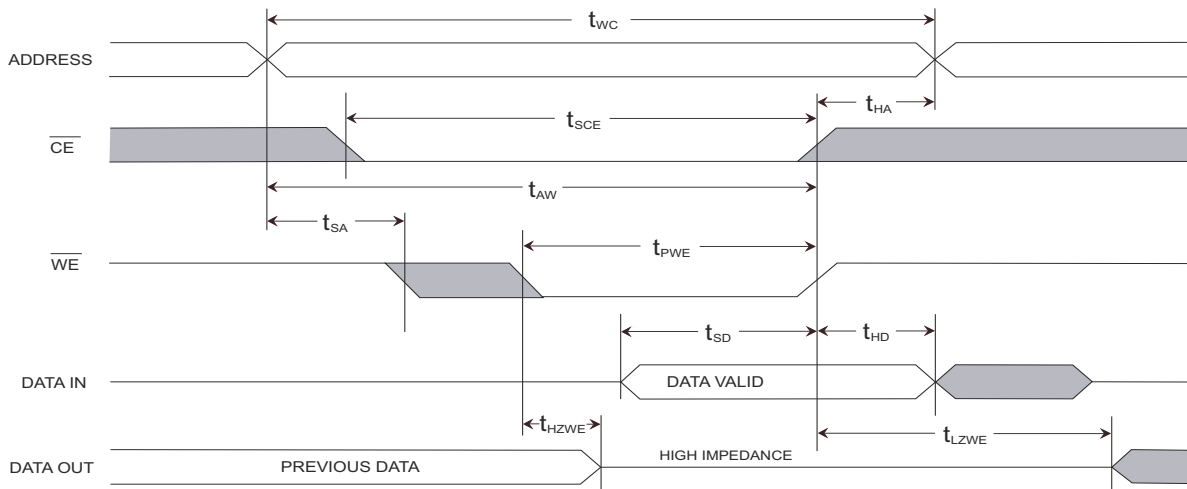
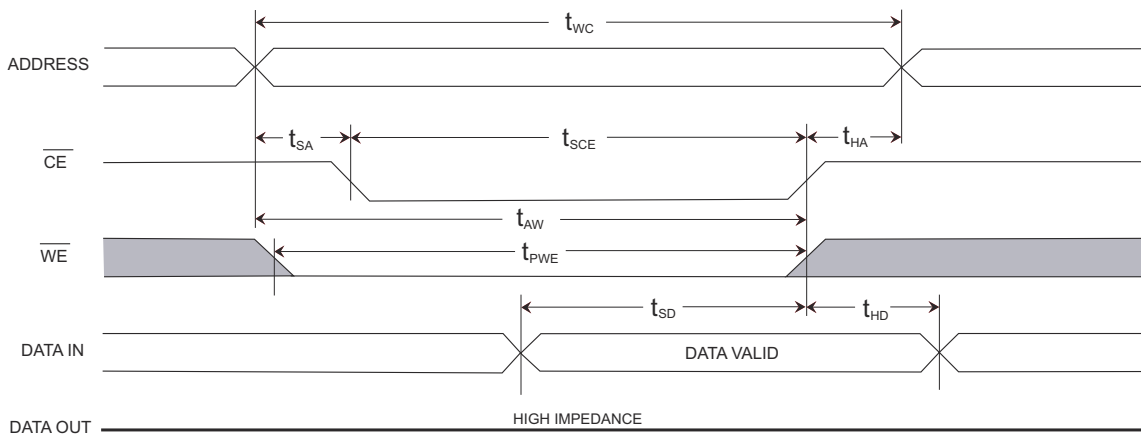


Notes

5. WE must be High during SRAM Read cycles.
6. I/O state assumes CE and OE $\leq V_{IL}$ and WE $\geq V_{IH}$; device is continuously selected.
7. Measured ± 200 mV from steady state output voltage.
8. These parameters are guaranteed by design and are not tested.

SRAM Write Cycle

Parameter		Description	35 ns		45 ns		55 ns		Unit
Cypress Parameter	Alt		Min	Max	Min	Max	Min	Max	
t_{WC}	t_{AVAV}	Write cycle time	35	–	45	–	55	–	ns
t_{PWE}	t_{WLWH}, t_{WLEH}	Write pulse width	25	–	30	–	45	–	ns
t_{SCE}	t_{ELWH}, t_{ELEH}	Chip enable to end of write	25	–	30	–	45	–	ns
t_{SD}	t_{DVWH}, t_{DVEH}	Data setup to end of write	12	–	15	–	30	–	ns
t_{HD}	t_{WHDX}, t_{EHDX}	Data hold after end of write	0	–	0	–	0	–	ns
t_{AW}	t_{AVWH}, t_{AVEH}	Address setup to end of write	25	–	30	–	45	–	ns
t_{SA}	t_{AVWL}, t_{AVEL}	Address setup to start of write	0	–	0	–	0	–	ns
t_{HA}	t_{WHAX}, t_{EHAX}	Address hold after end of write	0	–	0	–	0	–	ns
$t_{HZWE}^{[9,10]}$	t_{WLQZ}	Write enable to output disable	–	13	–	15	–	35	ns
$t_{LZWE}^{[9]}$	t_{WHQX}	Output active after end of write	5	–	5	–	5	–	ns

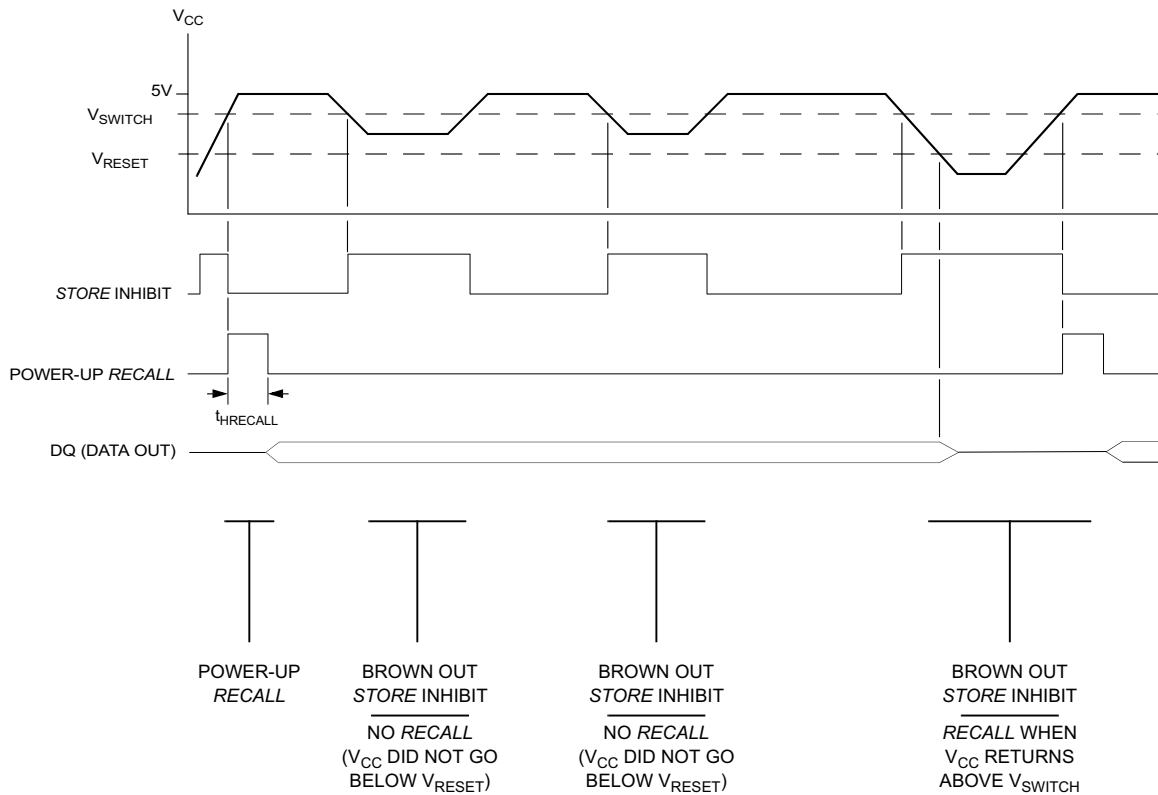
Switching Waveforms
Figure 8. SRAM Write Cycle 1: \overline{WE} Controlled ^[10, 11]

Figure 9. SRAM Write Cycle 2: \overline{CE} and \overline{OE} Controlled ^[10, 11]

Notes

9. Measured ± 200 mV from steady state output voltage.
10. If \overline{WE} is Low when \overline{CE} goes Low, the outputs remain in the high impedance state.
11. \overline{CE} or \overline{WE} must be greater than V_{IH} during address transitions.

AutoStore INHIBIT or Power Up RECALL

Parameter	Alt	Description	STK11C68-5 (SMD5962-92324)		Unit
			Min	Max	
$t_{HRECALL}^{[12]}$	$t_{RESTORE}$	Power up RECALL duration	–	550	μs
t_{STORE}	t_{HLHZ}	STORE cycle duration	–	10	ms
V_{SWITCH}		Low voltage trigger level	4.0	4.5	V
V_{RESET}		Low voltage reset level	–	3.6	V

Figure 10. AutoStore INHIBIT/Power Up RECALL



Notes

12. $t_{HRECALL}$ starts from the time V_{CC} rises above V_{SWITCH} .

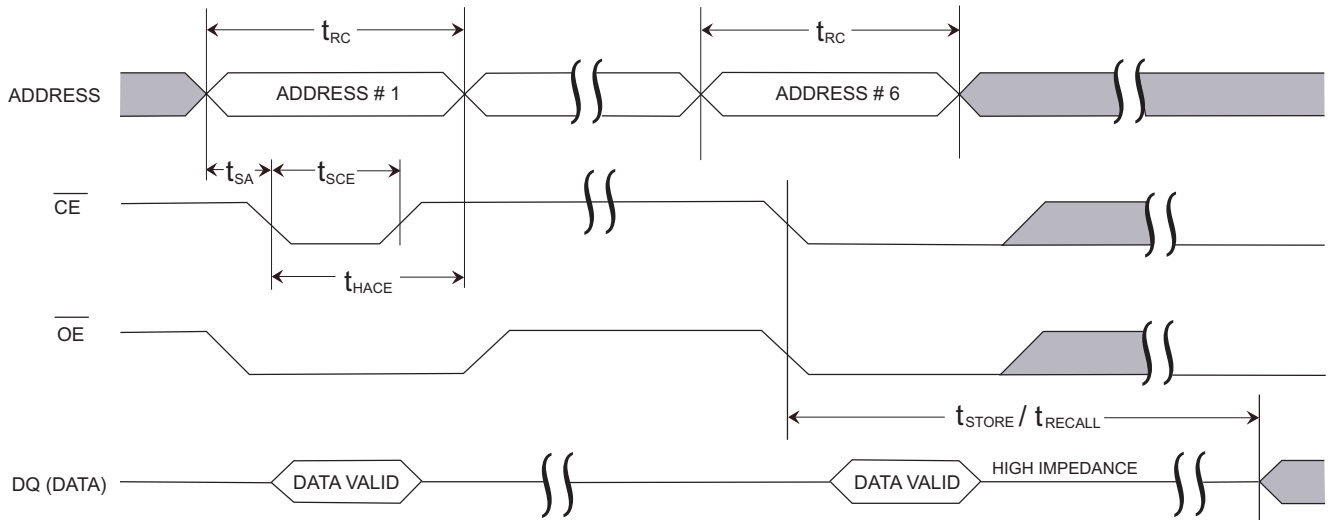
Software Controlled STORE/RECALL Cycle

The software controlled STORE/RECALL cycle follows. [13, 14]

Parameter	Alt	Description	35 ns		45 ns		55 ns		Unit
			Min	Max	Min	Max	Min	Max	
t_{RC}	t_{AVAV}	STORE/RECALL initiation cycle time	35	–	45	–	55	–	ns
$t_{SA}^{[13]}$	t_{AVEL}	Address setup time	0	–	0	–	0	–	ns
$t_{CW}^{[13]}$	t_{ELEH}	Clock pulse width	25	–	30	–	35	–	ns
$t_{HACE}^{[13]}$	t_{ELAX}	Address hold time	20	–	20	–	20	–	ns
$t_{RECALL}^{[13]}$		RECALL duration	–	20	–	20	–	20	μ s

Switching Waveform

Figure 11. \overline{CE} Controlled Software STORE/RECALL Cycle [13]

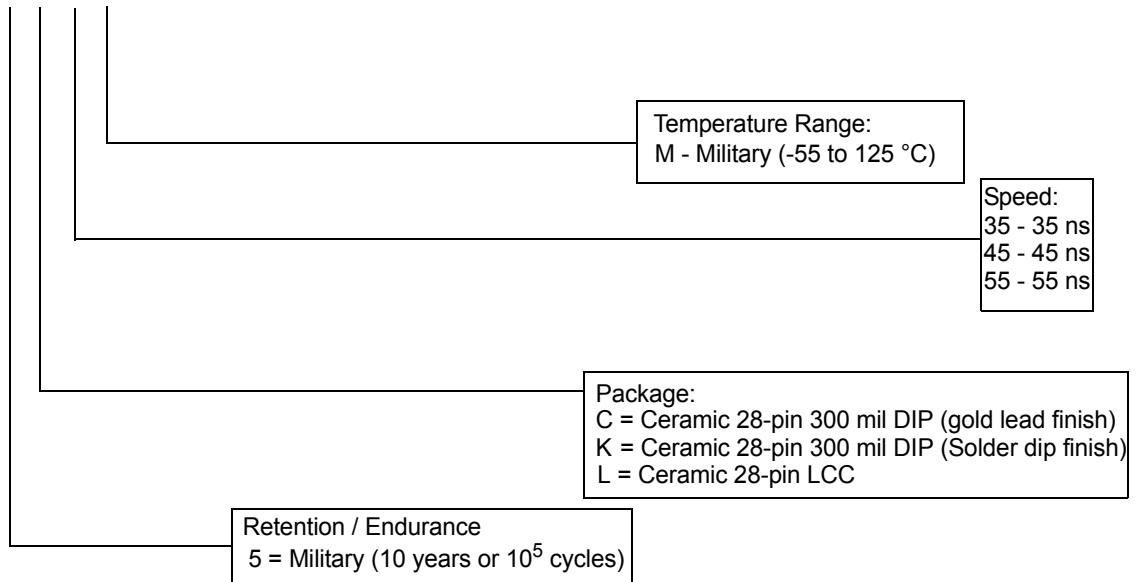


Notes

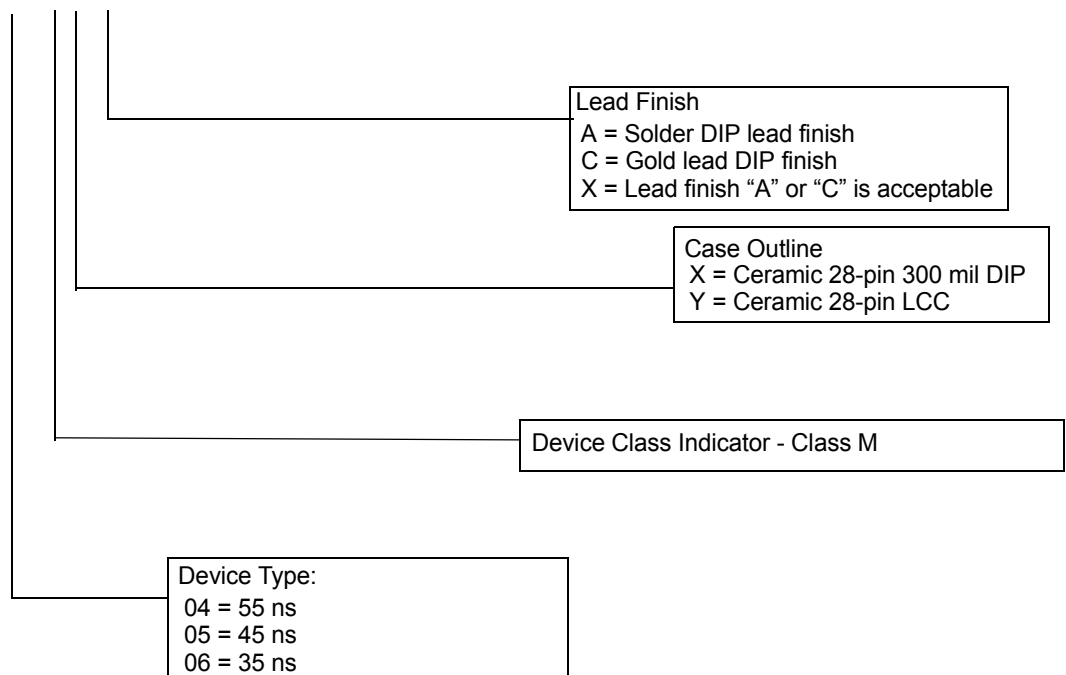
- 13. The software sequence is clocked on the falling edge of \overline{CE} without involving \overline{OE} (double clocking aborts the sequence).
- 14. The six consecutive addresses must be read in the order listed in Table 1 on page 5. \overline{WE} must be HIGH during all six consecutive cycles.

Part Numbering Nomenclature

STK11C68 - 5 C 45 M



SMD5962-92324 04 MX X



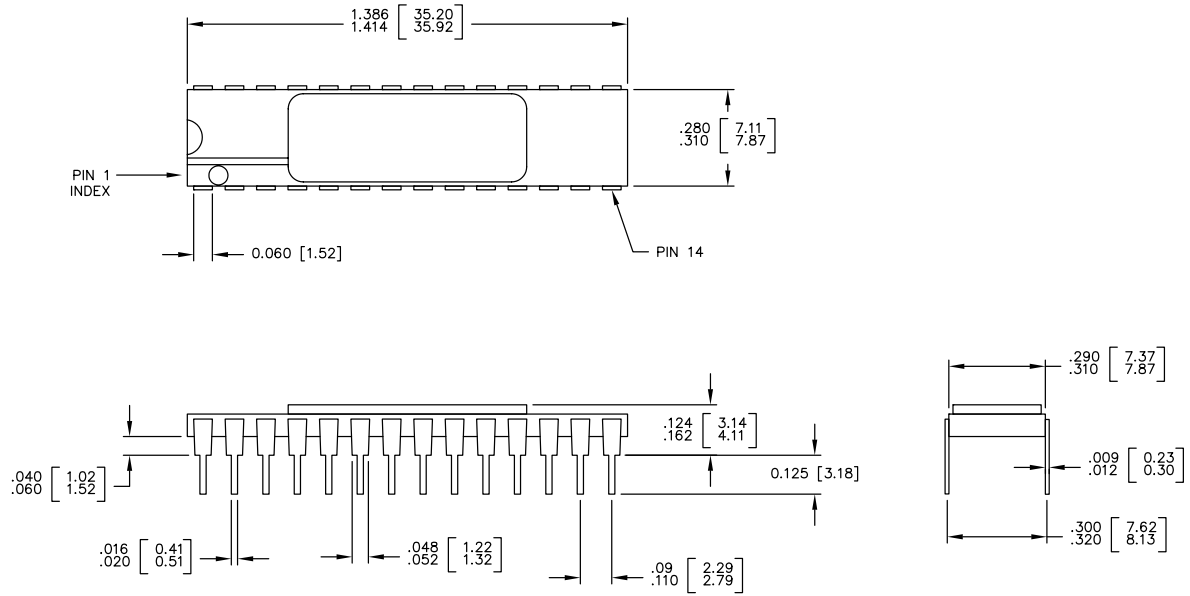
Ordering Information

Speed (ns)	Ordering Code	Package Diagram	Package Type	Operating Range
35	STK11C68-5L35M	001-51696	28-Pin LCC (350 mil)	Military
55	STK11C68-5C55M	001-51695	28-Pin CDIP (300 mil)	

This table contains Final information. Contact your local Cypress sales representative for availability of these parts.

Package Diagrams

Figure 12. 28-Pin (300-Mil) Side Braze DIP (001-51695)

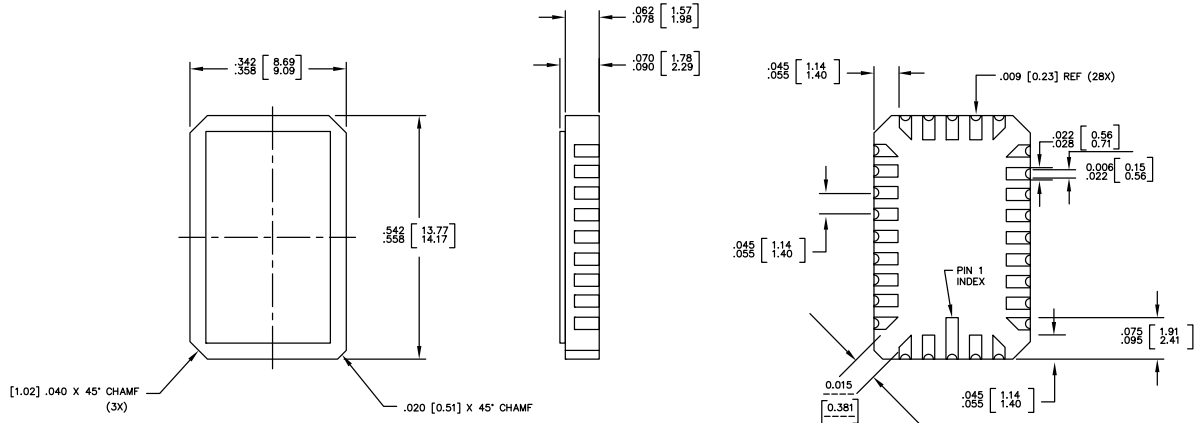


1. ALL DIMENSIONS ARE IN INCHES AND MILLIMETERS [MIN/MAX]
2. PACKAGE WEIGHT: See Cypress Package Material Declaration Datasheet (PMDD) posted on the Cypress Web
3. JEDEC REFERENCE : MO-058

001-51695 *C

Package Diagrams (continued)

Figure 13. 28-Pad (350-Mil) LCC (001-51696)



1. ALL DIMENSION ARE IN INCHES AND MILLIMETERS [MIN/MAX]
2. JEDEC 95 OUTLINE# MO-041
3. PACKAGE WEIGHT: See Cypress Package Material Declaration Datasheet (PMDD) posted on the Cypress Web

001-51696 *C

Acronyms

Acronym	Description
CE	chip enable
CMOS	complementary metal oxide semiconductor
I/O	input/output
I/O	input/output
nvSRAM	nonvolatile static random access memory
OE	output enable
SRAM	static random access memory
TTL	transistor-transistor logic
WE	write enable

Document Conventions

Units of Measure

Symbol	Unit of Measure
°C	degrees Celsius
kΩ	kilohm
μA	microampere
mA	milliampere
μF	microfarad
μs	microsecond
ms	millisecond
ns	nanosecond
pF	picofarad
V	volt
Ω	ohm
W	watt

Document History Page

Document Title: STK11C68-5 (SMD5962-92324) 64 Kbit (8 K x 8) SoftStore nvSRAM Document Number: 001-51001				
Rev.	ECN No.	Orig. of Change	Submission Date	Description of Change
**	2666844	GVCH/PYRS	03/02/2009	New data sheet
*A	2685053	GVCH	04/07/2009	Added part numbers: STK11C68-5K45M and STK11C68-5K55M
*B	3054310	GVCH/KEER	10/1120/10	Removed inactive parts - STK11C68-5C35M, STK11C68-5K35M, STK11C68-5C45M, STK11C68-5K45M, STK11C68-5L45M from Ordering Code Information table. Updated Package diagrams.
*C	3527665	GVCH	02/16/2012	Added Acronyms, Document Conventions, and Table of Contents. Completing sunset review.
*D	4568935	GVCH	11/14/2014	Added documentation related hyperlink in page 1 Removed 02pruned parts - STK11C68-5K55M, STK11C68-5L55M Updated package diagrams from 001-51695*A to 001-51695*B and 001-51696*A to 001-51696*B
*E	4706588	GVCH	04/02/2015	Updated package diagrams from 001-51695*B to 001-51695*C and 001-51696*B to 001-51696*C

Sales, Solutions, and Legal Information

Worldwide Sales and Design Support

Cypress maintains a worldwide network of offices, solution centers, manufacturer's representatives, and distributors. To find the office closest to you, visit us at [Cypress Locations](#).

Products

Automotive	cypress.com/go/automotive
Clocks & Buffers	cypress.com/go/clocks
Interface	cypress.com/go/interface
Lighting & Power Control	cypress.com/go/powerpsoc cypress.com/go/plc
Memory	cypress.com/go/memory
Optical & Image Sensing	cypress.com/go/image
PSoC	cypress.com/go/psoc
Touch Sensing	cypress.com/go/touch
USB Controllers	cypress.com/go/USB
Wireless/RF	cypress.com/go/wireless

PSoC Solutions

psoc.cypress.com/solutions
PSoC 1 | PSoC 3 | PSoC 5

© Cypress Semiconductor Corporation, 2009-2015. The information contained herein is subject to change without notice. Cypress Semiconductor Corporation assumes no responsibility for the use of any circuitry other than circuitry embodied in a Cypress product. Nor does it convey or imply any license under patent or other rights. Cypress products are not warranted nor intended to be used for medical, life support, life saving, critical control or safety applications, unless pursuant to an express written agreement with Cypress. Furthermore, Cypress does not authorize its products for use as critical components in life-support systems where a malfunction or failure may reasonably be expected to result in significant injury to the user. The inclusion of Cypress products in life-support systems application implies that the manufacturer assumes all risk of such use and in doing so indemnifies Cypress against all charges.

Any Source Code (software and/or firmware) is owned by Cypress Semiconductor Corporation (Cypress) and is protected by and subject to worldwide patent protection (United States and foreign), United States copyright laws and international treaty provisions. Cypress hereby grants to licensee a personal, non-exclusive, non-transferable license to copy, use, modify, create derivative works of, and compile the Cypress Source Code and derivative works for the sole purpose of creating custom software and or firmware in support of licensee product to be used only in conjunction with a Cypress integrated circuit as specified in the applicable agreement. Any reproduction, modification, translation, compilation, or representation of this Source Code except as specified above is prohibited without the express written permission of Cypress.

Disclaimer: CYPRESS MAKES NO WARRANTY OF ANY KIND, EXPRESS OR IMPLIED, WITH REGARD TO THIS MATERIAL, INCLUDING, BUT NOT LIMITED TO, THE IMPLIED WARRANTIES OF MERCHANTABILITY AND FITNESS FOR A PARTICULAR PURPOSE. Cypress reserves the right to make changes without further notice to the materials described herein. Cypress does not assume any liability arising out of the application or use of any product or circuit described herein. Cypress does not authorize its products for use as critical components in life-support systems where a malfunction or failure may reasonably be expected to result in significant injury to the user. The inclusion of Cypress' product in a life-support systems application implies that the manufacturer assumes all risk of such use and in doing so indemnifies Cypress against all charges.

Use may be limited by and subject to the applicable Cypress software license agreement.