

INTRODUCTIONS

1. Designed as a general purpose filter with an IEC 5x20mm fuse holder providing effective EMI suppression for both common and differential mode noise.
2. All part numbers are UL recognized, CSA certified and VDE approved.
3. Bleeder resistor is added with suffix "-R".
4. With optional Y CAP. from 100pF ~ 4700pF.

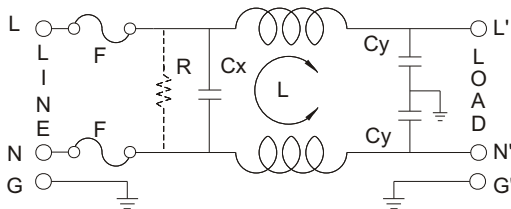
COMPONENTS

| PART NO. | Cx (uF) | L (mH) | Cy (pF) | R(Ω) |
|-------------|---------|--------|---------|------|
| 02BEEG3F/-R | 0.1 | 4.0 | 3300 | 1M |
| 04BEEG3F/-R | | 1.8 | | |
| 06BEEG3F/-R | | 0.8 | | |

MINIMUM INSERTION LOSS IN dB

| COMMON MODE (L-G) IN 50 OHM SYSTEM | | | | | | |
|--|---------------|-----|-----|-----|-----|----|
| CURRENT RATING | FREQUENCY-MHz | | | | | |
| | | .15 | .50 | 1.0 | 5.0 | 10 |
| 2A | 29 | 38 | 40 | 42 | 43 | 41 |
| 4A | 19 | 30 | 32 | 42 | 42 | 39 |
| 6A | 13 | 22 | 26 | 38 | 42 | 38 |
| DIFFERENTIAL MODE (L-L) IN 50 OHM SYSTEM | | | | | | |
| 2A | 5 | 19 | 28 | 48 | 51 | 50 |
| 4A | 5 | 14 | 21 | 48 | 48 | 42 |
| 6A | 5 | 12 | 15 | 40 | 46 | 38 |

ELECTRICAL SCHEMATIC



MECHANICAL CONSTRUCTION



BEEG3F

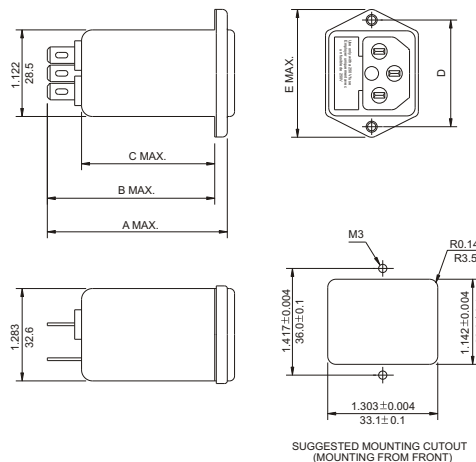
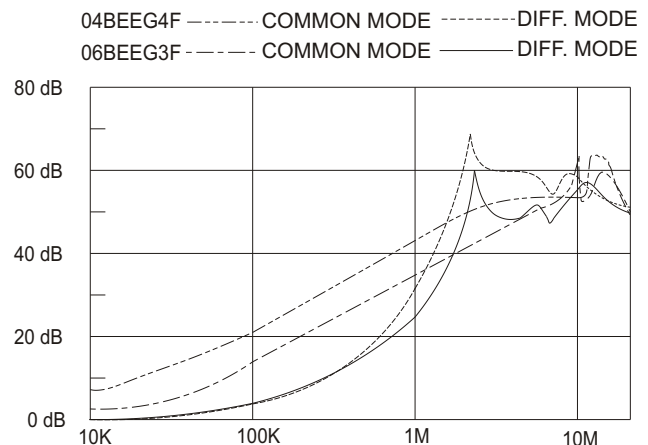
SPECIFICATIONS

1. Maximum leakage current each
line-to-ground @ 115VAC 60Hz: 0.25mA
@ 250VAC 50Hz: 0.45mA
2. Hipot rating (one minute)
line-to-ground: 2250VDC
line-to-line: 1450VDC
3. Operating frequency: 50/60Hz
4. Rated voltage: 115/250VAC

SERIES DIMENSIONS

| DELTA PART NO. | STYLE | DIMENSIONS IN INCHES/mm | | | | |
|----------------|-------|-------------------------|---------------|--------------|--------------|--------------|
| | | A | B | C | D | E |
| 02BEEG3F | EG3F | 2.263 57.5 | 2.106 53.5 | 1.66 42.0 | 1.42 36.0 | 1.74 44.0 |
| 04BEEG3F | EG3F | | | | | |
| 06BEEG3F | EG3F | | | | | |

INSERTION LOSS (TYPICAL)



UNIT: INCH
mm

SUGGESTED MOUNTING CUTOUT
(MOUNTING FROM FRONT)