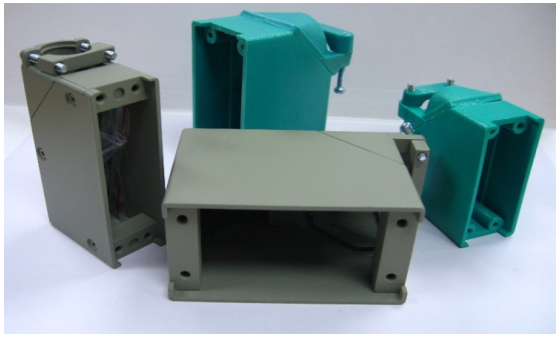




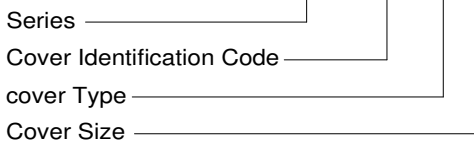
516 SERIES

METAL AND PLASTIC COVERS



- **FEATURES:**
- Available in Metal (Die-Cast Zinc Finished with Grey enamel Paint) or Plastic (Green polycarbonate) Material
- Covers with Top and Side Entry Cable Clamp. Orientation of Clamp Metal Covers may be changed by the Customer
- Versatile Metal Cover Design Permits Assembly or Disassembly after Cabling is Complete
- Screws for Securing Cover to 516 or 516 Series Connectors Supplied.
- RoHS Compliant & UL Recognized

Example Part Number: **516-230-556**



Series 516

Cover Identification Code 230

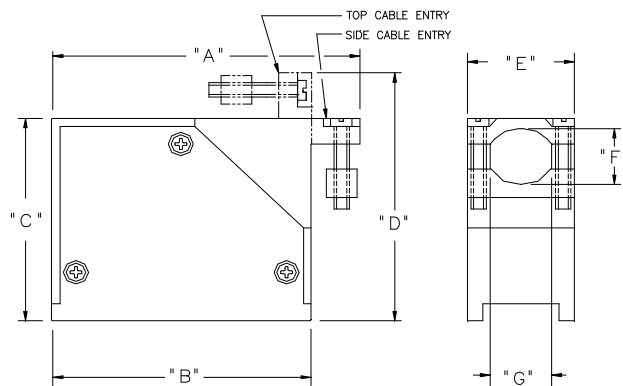
Cover Type 1, 2	Description
1	Plastic Cover, Top Entry Standard Clamp
2	Plastic Cover, Side Entry Standard Clamp
3	Plastic Cover, Top Entry Large Clamp
4	Plastic Cover, Side Entry Large Clamp
5	Metal Cover, Side Entry
6	Metal Cover, Top Entry
7	Metal Cover, Large Clamp

Cover Size	Fits Connector
12	516 Series 120 Pin
20	516 Series 20 Pin and 519 Series 14 Pin
38	516 Series 38 Pin and 519 Series 36 Pin
56	516 Series 56 Pin
90	516 Series 90 Pin

Ordering Code Notes

- 1) Plastic Covers with Large Clamps are only Available for 38 and 56 Pin Connectors.
- 2) Metal Covers with side entry may be converted to top entry by removing side plate and changing clamp orientation.

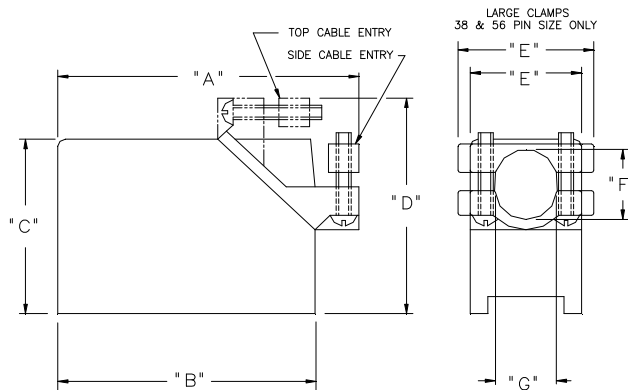
METAL COVERS



NEW COVER DESIGN (AVAILABLE SOON) WILL ELIMINATE 3 SCREWS FOR SIDE TO SIMPLIFY ASSEMBLY. DISASSEMBLY AND CLAMP ORIENTATION CHANGES.

SCREWS FOR SECURING THE COVER TO THE CONNECTOR ARE SUPPLIED BY EDAC

PLASTIC COVERS



COVER FOR CONNECTOR	COVER MATERIAL	CLAMP SIZE	"A" Inch (mm)	"B" Inch (mm)	"C" Inch (mm)	"D" Inch (mm)	"E" Inch (mm)	"F" Inch (mm)	"G" Inch (mm)
20 PIN	PLASTIC	STANDARD	1.605(40.77)	1.325(33.66)	.906(23.01)	1.190(30.23)	.715(18.16)	.450(11.43)	.450(11.43)
	METAL		1.539(39.09)						
38 PIN	PLASTIC	STANDARD	2.460(62.48)	2.010(51.05)	1.530(38.86)	1.985(50.42)	.910(23.11)	.650(16.51)	.500(12.70)
	PLASTIC		2.460(62.48)						
56 PIN	METAL	STANDARD	2.206(56.03)	2.602(66.09)	1.566(39.78)	1.766(44.86)	.875(22.23)	.720(18.29)	.575(14.61)
	PLASTIC	LARGE	3.052(77.52)		1.530(38.86)	1.985(50.42)	.910(23.11)	.650(16.51)	.500(12.70)
90 PIN	PLASTIC	STANDARD	3.052(77.52)	2.718(69.04)	1.775(45.09)	2.181(55.40)	1.250(31.75)	.800(20.32)	.800(20.32)
	METAL		2.802(71.17)						
120 PIN	PLASTIC	STANDARD	3.124(79.35)	2.750(69.85)	2.020(51.31)	2.426(61.62)	1.530(38.86)	.800(20.32)	.800(20.32)
	METAL		3.118(79.20)						
120 PIN	PLASTIC	STANDARD	3.156(80.16)	2.750(69.85)	2.020(51.31)	2.426(61.62)	1.530(38.86)	.800(20.32)	.800(20.32)
	METAL		3.175(80.65)						