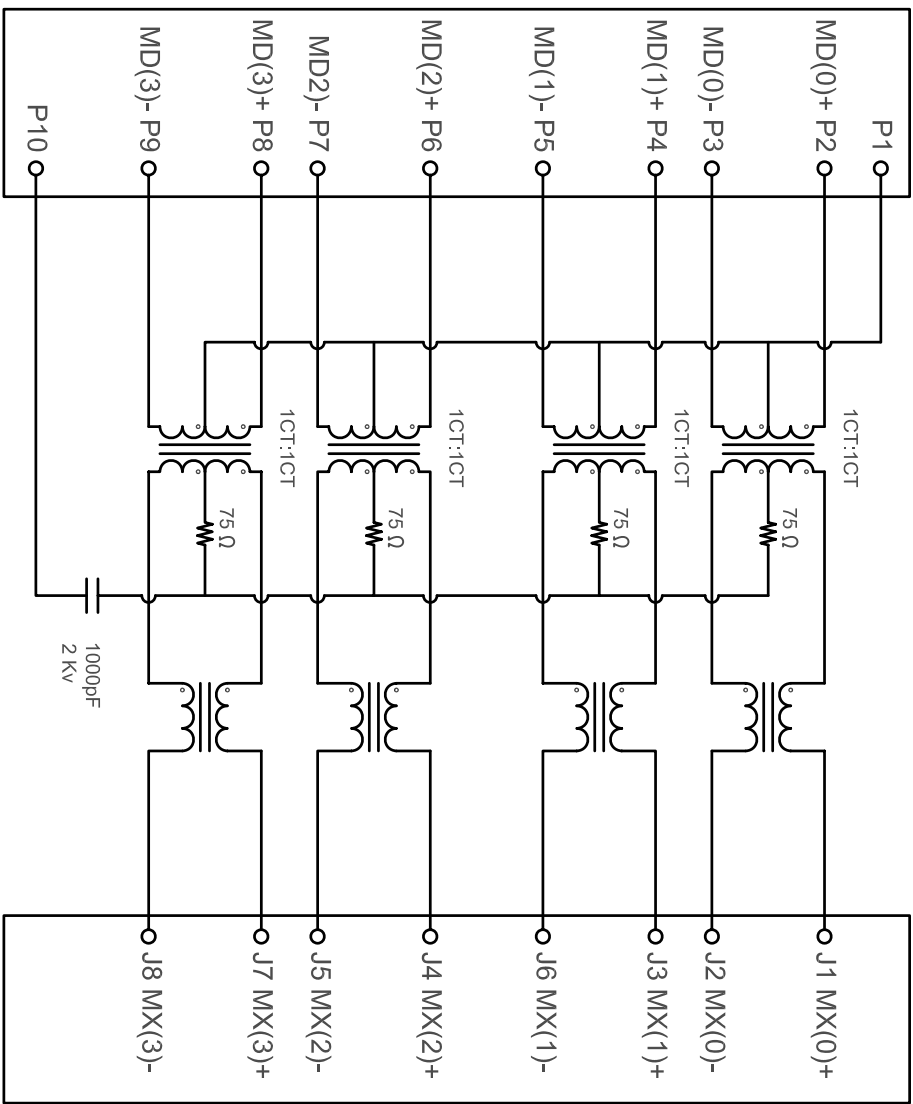


ELECTRICAL CIRCUIT:

CONNECTOR SOLDER SIDE

RJ45 CONTACT SIDE



TOLERANCE UNLESS OTHERWISE SPECIFIED IN MM:

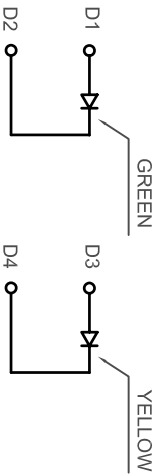
0	± 0.50	ANGLE	3°
0.0	± 0.38		
0.00	± 0.25		
0.000	± 0.10		

THIS IS A C.A.D. GENERATED DRAWING
DO NOT MAKE MANUAL REVISIONS TO MASTER.

TEST NOTES:(25±5°C)

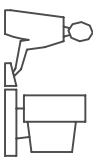
1. TR:(100KHz,0.1V); 100%
PINS:(P2,P3):(J1,J2)=1:1±3%;(P4,P5):(J3,J6)=1:1±3%
PINS:(P6,P7):(J4,J5)=1:1±3%;(P8,P9):(J7,J8)=1:1±3%
2. LX:(100KHz,100mV,8mA, DC Bias) 100%
PINS:(P2,P3),(P4,P5),(P6,P7),(P8,P9)=350uH MINIMUM
3. DCR: 100%
PINS:(J1,J2),(J3,J6),(J4,J5),(J7,J8)=1.0Ω MAXIMUM
4. HIPOT: 100%
PINS:(P2,P3)TO(J1,J2),(P4,P5)TO(J3,J6)=1500VAC FOR 2 SECONDS
PINS:(P6,P7)TO(J4,J5),(P8,P9)TO(J7,J8)=1500VAC FOR 2 SECONDS
5. INSERTION LOSS:
-1dB MAXIMUM AT 1MHZ TO 100MHZ;
6. RETURN LOSS:
-18dB MINIMUM AT 1MHZ TO30MHZ;
-16dB MINIMUM AT 30MHZ TO 60MHZ
-12dB MINIMUM AT 60MHZ TO 80MHZ
7. CROSS TALK:
-35dB MINIMUM AT 1MHZ TO 100MHZ
8. COMMON TO COMMON MODE REJECTION:
-30dB MINIMUM AT 1MHZ TO 100MHZ

LED CIRCUIT:



ISSUE NUMBER
ORIGINAL

1



**RJ45 MAGNETIC JACK WITH LED, 10P, 8C
SHIELDED, 10/100/1000 Mbps FILTER**

ACAD REFERENCE NO.: A60-112-231N432

DRAWN: R.STA.MONICA DATE: JAN.24/2011

CHECKED: DATE:

PART NUMBER

SEE NOTE

SHEET 2 OF 2

DRAWING NUMBER

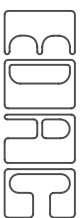
A60-112-231N432

ISSUE

1



THIS SERIES FULLY CONFORMS TO THE
EUROPEAN UNION DIRECTIVES 2002/95/EC
AND 2002/96/EC FOR ROHS COMPLIANCY.



EDAC INC
TORONTO, ONTARIO
CANADA

YOUR CONNECTION TO QUALITY & SERVICE

THESE DRAWINGS AND SPECIFICATIONS
ARE THE PROPERTY OF EDAC INC. AND
SHALL NOT BE REPRODUCED OR COPIED
OR USED AS THE BASIS FOR THE
MANUFACTURE OR SALE OF APPARATUS
WITHOUT WRITTEN PERMISSION.