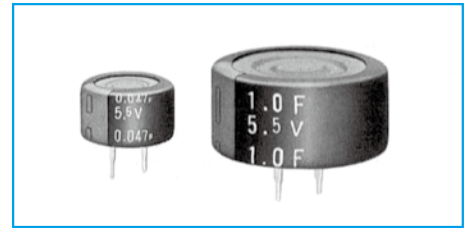
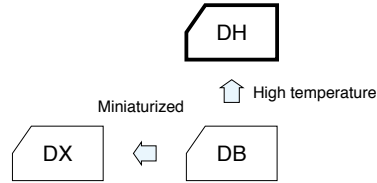


High Temperature Capacitors

GREEN CAP 85°C

- High temperature tolerant (−25 to +85°C) and highly reliable.
- Ideal for backing up of controls, electronic rice cooking jars, home bakeries and the like.



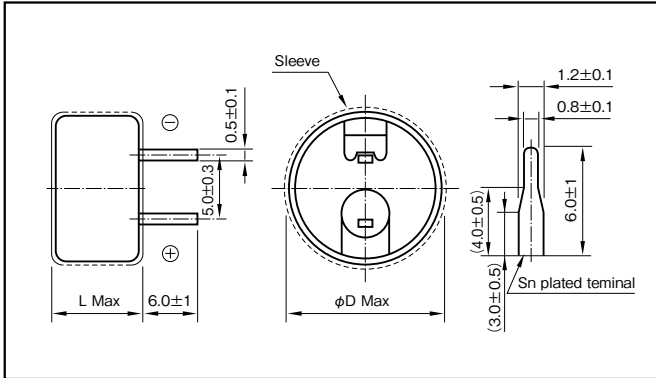
Marking color : White print on an indigo sleeve

Specifications

| Item | Performance | | | | | | | |
|---------------------------------------------|-------------------------------------------------|-----------------------------------------------------|-----|------|------|------|----|--|
| Category temperature range (°C) | −25 to +85 | | | | | | | |
| Tolerance at rated capacitance (%) | −20 to +80 | | | | | | | |
| Internal resistance at 1 kHz | Rated capacitance (F) | 0.047 | 0.1 | 0.22 | 0.47 | 0.68 | 1 | |
| | Internal resistance (Ω Max.) | 300 | 200 | 120 | 50 | 50 | 30 | |
| Characteristics at high and low temperature | Percentage of capacitance change | Within ±30% of the value at 20°C | | | | | | |
| | Internal resistance | Less than five times of the value at 20°C | | | | | | |
| Endurance (85°C) | Test time | 1000 hours | | | | | | |
| | Percentage of capacitance change | Within ±30% of the initial measured value | | | | | | |
| | Internal resistance | Less than four times of the initial specified value | | | | | | |
| Shelf life (85°C) | Test time : 1000 hours ; Same as endurance. | | | | | | | |
| Applicable standards | Conforms to JIS C5160-1 2009 (IEC 62391-1 2006) | | | | | | | |

Outline Drawing

Unit : mm



Part numbering system (example : 5.5V0.1F)

| | | | | | |
|-------------|---|------------------------------|---|--------------------------|---|
| DH | — | 5R5 | D | 104 | T |
| Series code | | Max.operating voltage symbol | | Rated capacitance symbol | |

Part number is refer to following table.

Standard Ratings

| Max. operating voltage (V) | Rated capacitance (F) | ELNA Parts No. | φD×L (mm) |
|----------------------------|-----------------------|----------------|-----------|
| 5.5 | 0.047 | DH-5R5D473T | 13.5×9.5 |
| 5.5 | 0.1 | DH-5R5D104T | 13.5×9.5 |
| 5.5 | 0.22 | DH-5R5D224T | 13.5×9.5 |
| 5.5 | 0.47 | DH-5R5D474T | 21.5×9.5 |
| 5.5 | 0.68 | DH-5R5D684T | 21.5×9.5 |
| 5.5 | 1 | DH-5R5D105T | 21.5×9.5 |