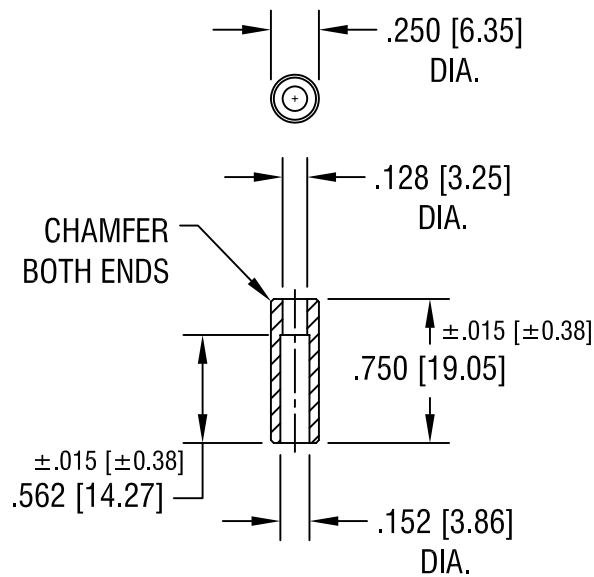


THIS DOCUMENT IS THE PROPERTY OF  
KEYSTONE ELECTRONICS CORP. AND  
SHALL NOT BE REPRODUCED, DISTRIBUTED  
OR USED AS A BASIS FOR MANUFACTURE  
WITHOUT PRIOR WRITTEN PERMISSION  
FROM KEYSTONE ELECTRONICS CORP.



**KEYSTONE ELECTRONICS CORP.**

ASTORIA, N.Y. 11105-2017

PART NAME

BOTTOM ANVIL

MATERIAL

STEEL

FINISH

ZINC PLATE

DRN BY

BOONE

DATE

10.1.98

APP'D

LN

SCALE

1X

TOLERANCES

INCH [MM]

DECIMAL  $\pm .005 [\pm 0.15]$

ANGULAR  $\pm 1^\circ$   
UNLESS OTHERWISE SPECIFIED

CODE

C

DWG NO.

1717

DATE

DESCRIPTION

REV.