

LTC4370

Two-Supply Diode-OR Current Balancing Controller

DESCRIPTION

Demonstration circuit DC1741A features the LTC4370, a two supply diode-OR current sharing controller in a typical 2.9V to 18V, 16A sharing application.

The maximum MOSFET voltage drop $V_{FR} = V_{IN} - V_{OUT}$ is set with an external resistor, up to 600mV. A fast gate turn-on reduces the load voltage droop during supply switchover. If the input supply fails or is shorted, a fast turn-off minimizes the transient reverse current.

Disabling the load sharing function turns the LTC4370 into a dual ideal diode controller.

Two enable input pins, $\overline{EN1}$ and $\overline{EN2}$, allow enabling and disabling each rail's MOSFET individually while the MOSFETs' inherent diodes create diode-OR connection when the MOSFETs are disabled. The LTC4370 provides a rich

set of features to support shared current diode-ORed applications including:

- Load Sharing Between Two Supplies
- Elimination of the Need for Active Control of Input Supplies
- Elimination of "Share Bus"
- Reverse Current Blocking
- Elimination of Shoot-Through Current During Start-Up or Faults

Design files for this circuit board are available at <http://www.linear.com/demo>

LT, LT, LTC, LTM, Linear Technology and the Linear logo are registered trademarks of Linear Technology Corporation. All other trademarks are the property of their respective owners.

PERFORMANCE SUMMARY Specifications are at $T_A = 25^\circ\text{C}$

SYMBOL	PARAMETER	CONDITIONS	MIN	TYP	MAX	UNITS
V_{IN}	V_{IN1} and V_{IN2} Input Voltage Operating Range	With External V_{CC} Supply	2.9 0		18 V_{CC}	V
$V_{CC(EXT)}$	V_{CC} External Supply Operating Range	$V_{IN1}, V_{IN2} \leq V_{CC}$	2.9		6.0	V
$V_{CC(REG)}$	V_{CC} Regulated Voltage		4.5	5	5.5	V
$V_{EA(OS)}$	Error Amplifier Input Offset			0	± 2	mV
$g_{m(EA)}$	Error Amplifier Gain			150		μS
V_{FR}	Forward Regulation Voltage ($V_{IN} - V_{OUT}$)	$V_{IN} = 1.2\text{V}, V_{CC} = 5\text{V}$ $V_{IN} = 12\text{V}$	2 2	12 25	25 50	mV mV
ΔV_{GATE}	MOSFET Gate Drive ($GATE - V_{IN}$)	$V_{FWD} = 0.2\text{V}; I = 0, -1\mu\text{A};$ Highest $V_{IN} = 12\text{V}$ $V_{FWD} = 0.2\text{V}; I = 0, -1\mu\text{A};$ Highest $V_{IN} = 2.9\text{V}$	10 4.5	12 7	14 9	V V
I_{GATE}	GATE1, GATE2 Fast Pull-Up Current GATE1, GATE2 Fast Down-Up Current GATE1, GATE2 Off Pull-Down Current	$V_{FWD} = 0.4\text{V}, \Delta V_{GATE} = 0\text{V}, C_{PO} = 17\text{V}$ $V_{FWD} = -2\text{V}, \Delta V_{GATE} = 5\text{V},$ Corresponding $\overline{EN} = 1\text{V}, \Delta V_{GATE} = 2.5\text{V}$	-0.9 0.9 65	-1.4 1.4 110	-1.9 1.9 160	A A μA
$V_{EN(TH)}$	$\overline{EN1}, \overline{EN2}$ Threshold Voltage	\overline{EN} Falling	580	600	620	mV
$\Delta V_{GATE(ON)}$	MOSFET On-Detect Threshold ($GATE - V_{IN}$)	FETON Transitions High	0.28	0.7	1.1	V
I_{OUT}	Maximum Continuous Load Current	Sharing active, limited by SUM85N03 FET Dissipation			16.6	A

OPERATING PRINCIPLES

The LTC4370 controls N-channel MOSFETs, M1 and M2, to share the load between two input rails. The error amplifier compares OUT1 and OUT2, and controls servo amplifiers which regulate MOSFET forward voltage drop to V_{FR} . Combined action of the error amplifier and servo amplifiers forces OUT1 and OUT2 to be equal and as a result the rail currents are equal. The board RANGE resistor $R3 = 30.1k$ defines maximum regulation voltage range as 265mV to 375mV.

The board is assembled with SUM85N03-06P N-channel MOSFETs, which in a single channel application has current capability up to 20A. In the load share mode the installed components guarantee continuous proper load sharing up to 16.6A total load. For a short test time of 3 to 5 seconds it is possible to double this load.

Two LEDs, OFF1 and OFF2, indicate the MOSFETs' status. Each LED lights up, when the gate voltage is less than 0.7V above V_{IN} .

Pay special attention to the power supply features used with the LTC4370.

This controller may not work properly with supplies utilizing synchronized rectification in the output stage unless the internal circuit of the supply has the ability to limit negative current or to block it completely. Exercise caution when using the controller with this type of supply unless it is determined that it contains the required circuitry.

QUICK START PROCEDURE

Demonstration circuit DC1741A is easy to set up to evaluate the performance of the LTC4370. Refer to Figure 1 for proper measurement equipment setup for load share observation.

1. Turn both supplies on. Adjust two 5V supplies' outputs to a 215mV difference, which equals the minimum $\Delta V_{IN(MIN)}$ load share breakpoint (265mV–50mV). Load the LTC4370 output with minimal current so that both supplies contribute current to the common load. Increase load up to 35A and observe the LTC4370 operation mode with accurate load sharing. It is easy to estimate load share accuracy by measuring a voltage between two sense resistors. Since the MOSFETs will be dissipating excessive power, limit this measurement to 3 to 5 seconds when at the 35A level.

2. Reduce the load current to a total of 7.5A. Adjust the two 5V supplies' outputs to a voltage difference of 373 mV which equals the maximum $\Delta V_{IN(MAX)}$ load share breakpoint (375mV–2mV). As the difference between power supplies output is greater than the maximum voltage regulation, the LTC4370 channel with the higher voltage will provide most of the current. Increase the voltage until all of the current is provided by the higher voltage supply. This is the point at which the MOSFET of the higher voltage channel MOSFET is fully enhanced while the MOSFET of the lower channel voltage is completely cut off. Observe that the LED of the lower supply is illuminated.

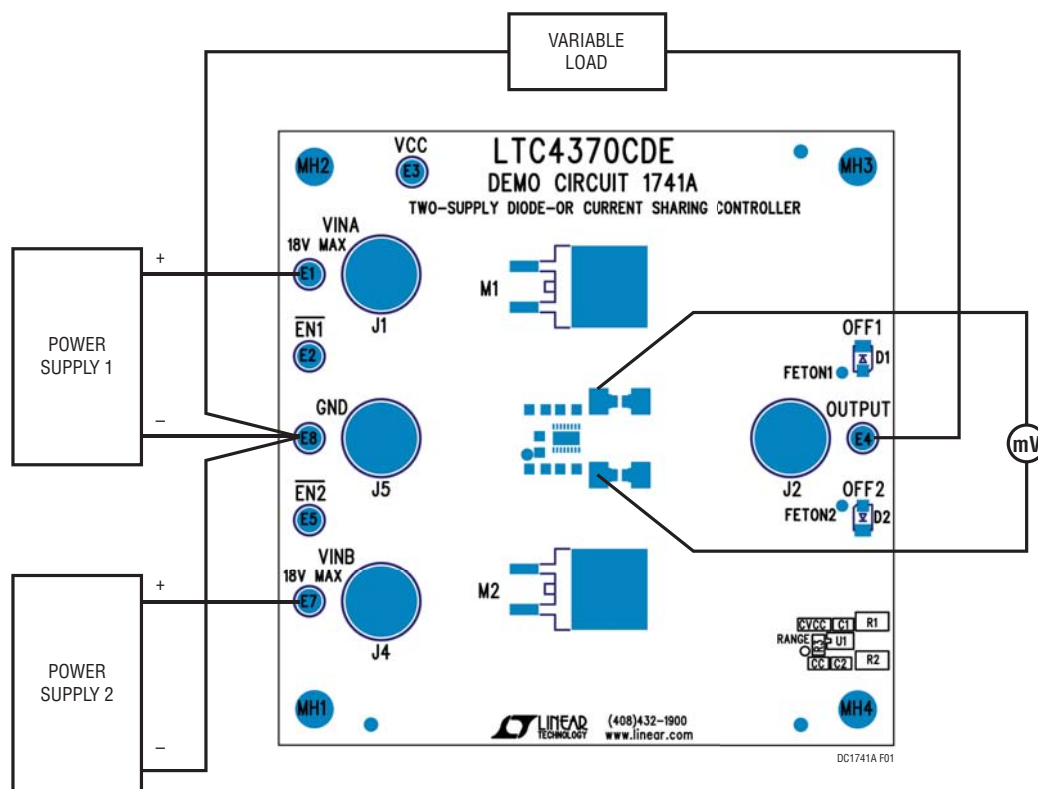


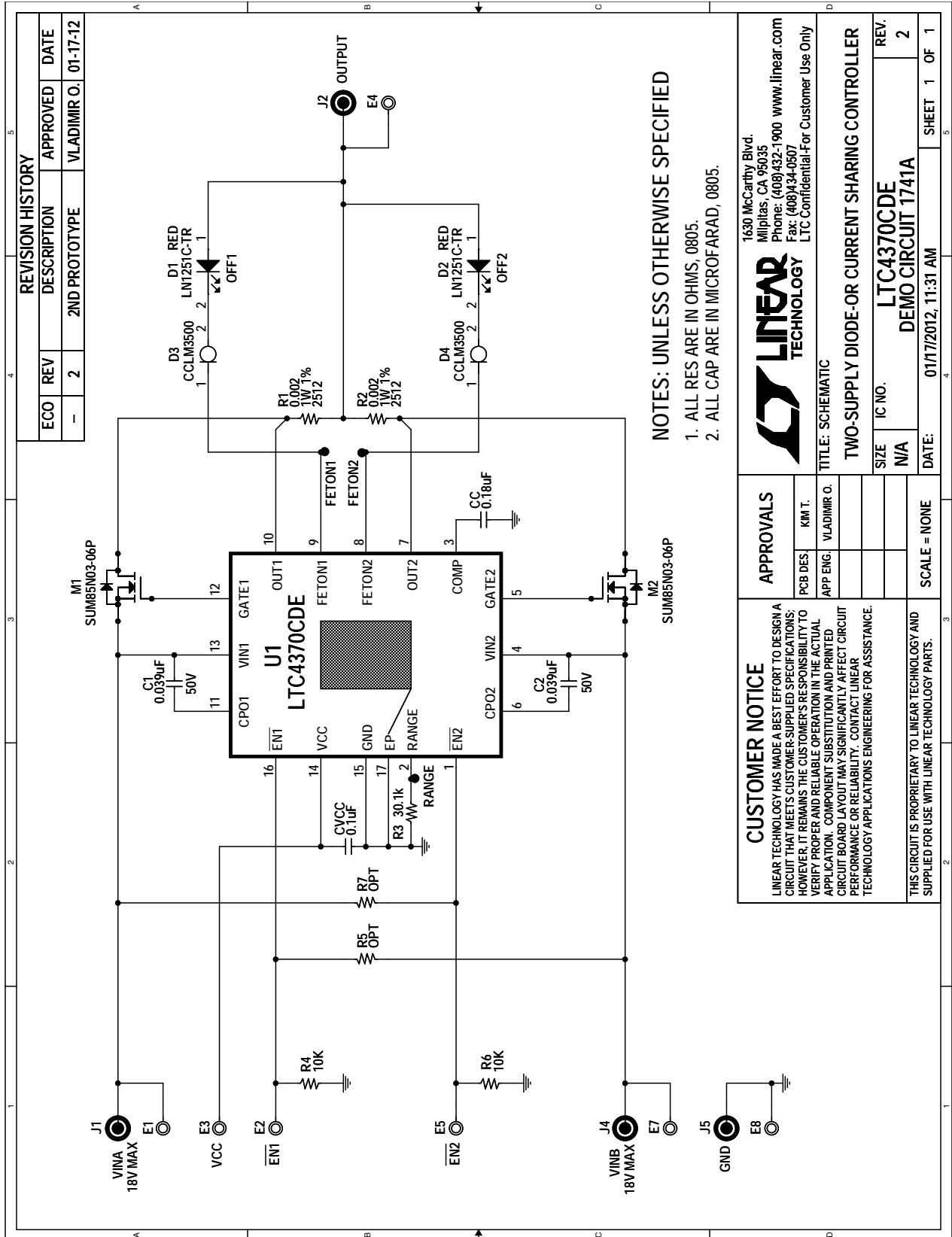
Figure 1. Load Share Performance Measurement

DEMO MANUAL DC1741A

PARTS LIST

ITEM	QTY	REFERENCE	PART DESCRIPTION	MANUFACTURER/PART NUMBER
Required Circuit Components				
1	1	CC	Cap., X7R, 0.18 μ F, 25V, 10%, 0805	AVX, 08053C184KAT2A
2	1	CV _{CC}	Cap., X7R, 0.1 μ F, 50V, 10%, 0805	AVX, 08055C104KAT2A
3	2	C1, C2	Cap., X7R, 0.039 μ F, 50V, 10%, 0805	AVX, 08055C393KAT2A
4	2	D1, D2	LED, RED	Panasonic, LN1251C-TR
5	2	D3, D4	Current Limiting Diode, 3.2V, SOD-80	Central Semi. Corp. CCLM3500
6	7	E1, E2, E3, E4, E5, E7, E8	Turret, Testpoint 0.063"	Mill-Max, 2308-2-00-80-00-00-07-0
7	4	J1, J2, J4, J5	Connector, Banana Jack	Keystone, 575-4
8	2	M1, M2	MOSFET N-Channel, 30V, D2PAK	Vishay, SUM85N03-06P-E3
9	2	R1, R2	Res., WSL 0.002 1W, 1%, 2512	Vishay, WSL25122L000FEA
10	1	R3	Res., Chip 30.1k, 0.1W 1%, 0805	Vishay, CRCW080530K1FKEA
11	2	R4, R6	Res., Chip 10k, 0.1W, 5%, 0805	Vishay, CRCW080510K0JNEA
12	0	R5, R7	Res., 0805	OPT
13	1	U1	I.C., Diode-OR Load Share Cont., DFN16DE-4 \times 3	Linear Technology Corp., LTC4370CDE

SCHEMATIC DIAGRAM



Information furnished by Linear Technology Corporation is believed to be accurate and reliable. However, no responsibility is assumed for its use. Linear Technology Corporation makes no representation that the interconnection of its circuits as described herein will not infringe on existing patent rights.

DEMO MANUAL DC1741A

DEMONSTRATION BOARD IMPORTANT NOTICE

Linear Technology Corporation (LTC) provides the enclosed product(s) under the following **AS IS** conditions:

This demonstration board (DEMO BOARD) kit being sold or provided by Linear Technology is intended for use for **ENGINEERING DEVELOPMENT OR EVALUATION PURPOSES ONLY** and is not provided by LTC for commercial use. As such, the DEMO BOARD herein may not be complete in terms of required design-, marketing-, and/or manufacturing-related protective considerations, including but not limited to product safety measures typically found in finished commercial goods. As a prototype, this product does not fall within the scope of the European Union directive on electromagnetic compatibility and therefore may or may not meet the technical requirements of the directive, or other regulations.

If this evaluation kit does not meet the specifications recited in the DEMO BOARD manual the kit may be returned within 30 days from the date of delivery for a full refund. **THE FOREGOING WARRANTY IS THE EXCLUSIVE WARRANTY MADE BY THE SELLER TO BUYER AND IS IN LIEU OF ALL OTHER WARRANTIES, EXPRESSED, IMPLIED, OR STATUTORY, INCLUDING ANY WARRANTY OF MERCHANTABILITY OR FITNESS FOR ANY PARTICULAR PURPOSE. EXCEPT TO THE EXTENT OF THIS INDEMNITY, NEITHER PARTY SHALL BE LIABLE TO THE OTHER FOR ANY INDIRECT, SPECIAL, INCIDENTAL, OR CONSEQUENTIAL DAMAGES.**

The user assumes all responsibility and liability for proper and safe handling of the goods. Further, the user releases LTC from all claims arising from the handling or use of the goods. Due to the open construction of the product, it is the user's responsibility to take any and all appropriate precautions with regard to electrostatic discharge. Also be aware that the products herein may not be regulatory compliant or agency certified (FCC, UL, CE, etc.).

No License is granted under any patent right or other intellectual property whatsoever. **LTC assumes no liability for applications assistance, customer product design, software performance, or infringement of patents or any other intellectual property rights of any kind.**

LTC currently services a variety of customers for products around the world, and therefore this transaction **is not exclusive**.

Please read the DEMO BOARD manual prior to handling the product. Persons handling this product must have electronics training and observe good laboratory practice standards. **Common sense is encouraged.**

This notice contains important safety information about temperatures and voltages. For further safety concerns, please contact a LTC application engineer.

Mailing Address:

Linear Technology
1630 McCarthy Blvd.
Milpitas, CA 95035

Copyright © 2004, Linear Technology Corporation