

# 2A Bidirectional Buck-Boost DC/DC Regulator and Charger/Balancer

## FEATURES

- **V<sub>CAP</sub> Operating Range: 0.1V to 5.5V**
- **V<sub>SYS</sub> Operating Range: 1.71V to 5.25V**
- **Automatic Switchover from Charge to Backup Mode**
- **Programmable ±2% Accurate Charge Input Current Limit from 125mA to 2A**
- **±1% Backup Voltage Accuracy**
- **Automatic Backup Capacitor Balancing**
- Fixed 1.2MHz Switching Frequency
- Burst Mode® Operation: 40µA Quiescent Current
- Built-In Programmable Multipurpose Comparator with Open-Collector Output
- Open-Collector Outputs to Indicate Direction of Operation and End of Charge
- Thermally Enhanced TSSOP-24 and 4mm × 4mm QFN-24 Packages

## APPLICATIONS

- Supercapacitor Backup Converter and Charger
- Battery Backup Converter and Charger
- Servers, RAID Systems
- RF Systems with Battery/Capacitor Backup

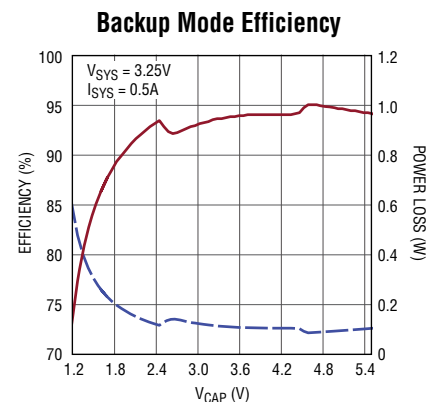
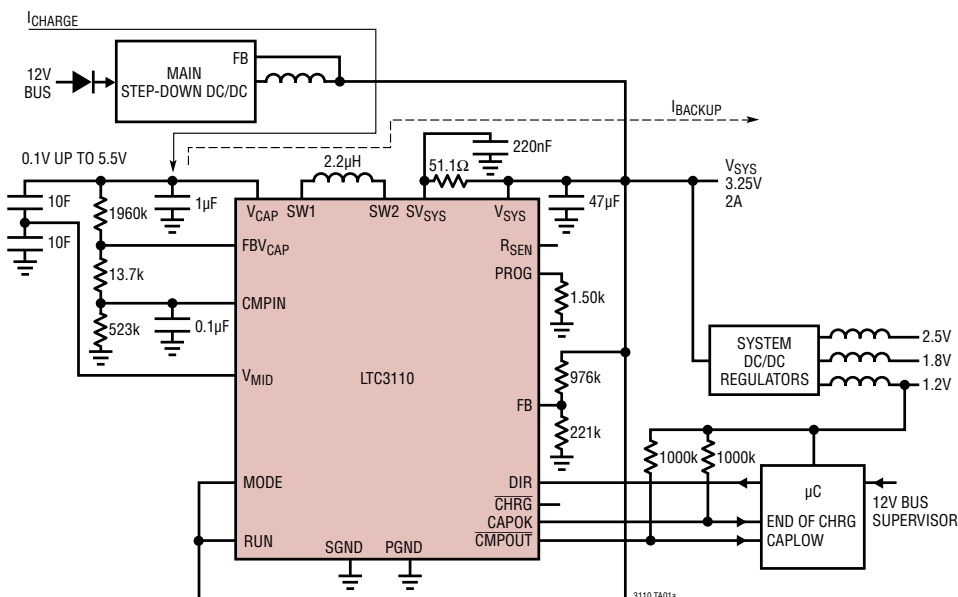
## DESCRIPTION

The **LTC3110** is a 2A bidirectional buck-boost DC/DC regulator with capacitor charger and balancer. Its wide 0.1V to 5.5V capacitor/battery voltage and 1.8V to 5.25V system backup voltage ranges make it well suited to a wide variety of backup applications using supercapacitors or batteries. A proprietary low noise switching algorithm optimizes efficiency with capacitor/battery voltages that are above, below or equal to the system output voltage.

The LTC3110 can autonomously transition from charge to backup mode or switch modes based on an external command. Pin-selectable Burst Mode operation reduces standby current and improves light-load efficiency, which combined with a 1µA shutdown current make the LTC3110 ideally suited for backup applications. Additional features include voltage supervisors for direction control and end of charge, and a general purpose comparator with open-collector output for interfacing with a µC. The LTC3110 is available in thermally enhanced, low profile 24-lead TSSOP and 4mm × 4mm QFN packages.

LT, LT, LTC, LTM, Burst Mode, Linear Technology and the Linear logo are registered trademarks and PowerPath is a trademark of Linear Technology Corporation. All other trademarks are the property of their respective owners.

## TYPICAL APPLICATION



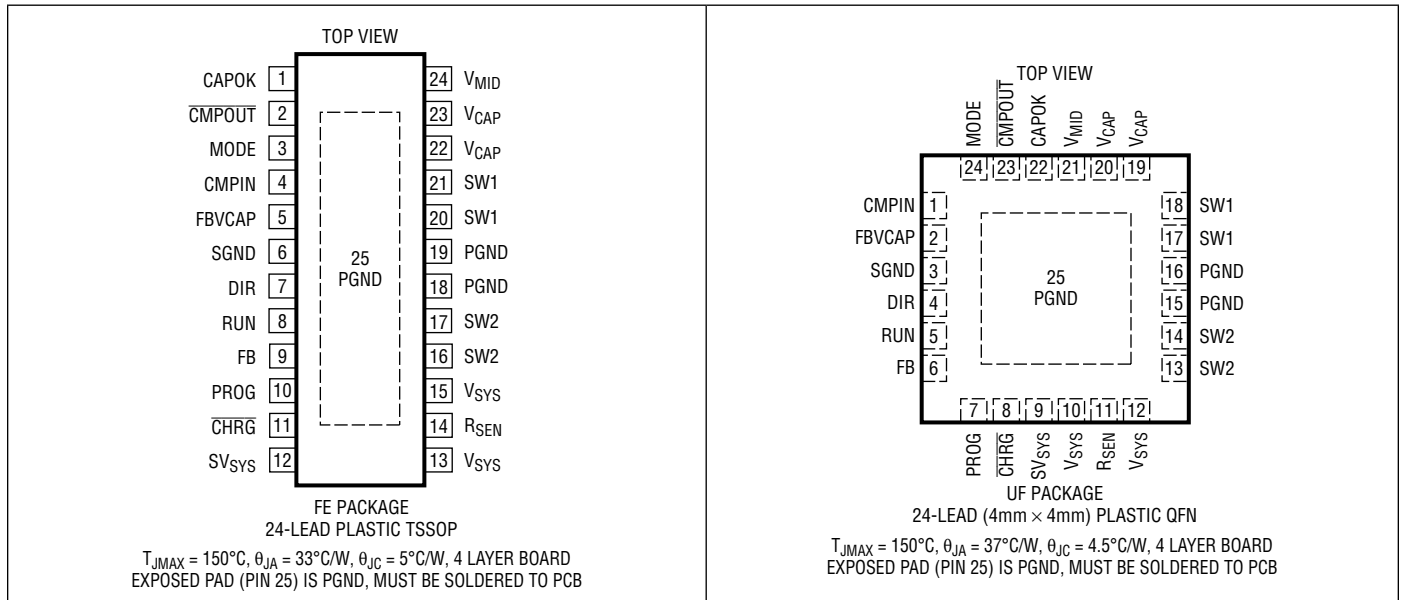
# LTC3110

## ABSOLUTE MAXIMUM RATINGS (Note 1)

$V_{CAP}$ ,  $V_{SYS}$ ,  $SV_{SYS}$ ,  $V_{MODE}$ ,  $V_{CMPIN}$ ,  
 $V_{DIR}$ ,  $V_{RUN}$ ,  $V_{CAPOK}$ ,  $V_{CMPOUT}$ ,  $V_{CHRG}$ ..... -0.3V to 6V  
 $R_{SEN}$  DC Current ..... 1.6A  
 Operating Junction Temperature Range  
 (Notes 2, 3)..... -40°C to 150°C

Storage Temperature Range ..... -65°C to 150°C  
 Lead Soldering Temperature (Soldering, 10 sec)  
 TSSOP ..... 300°C  
 Reflow Peak Body Temperature (30sec max)  
 QFN..... 260°C

## PIN CONFIGURATION



## ORDER INFORMATION

(<http://www.linear.com/product/LTC3110#orderinfo>)

LEAD FREE FINISH	TAPE AND REEL	PART MARKING*	PACKAGE DESCRIPTION	TEMPERATURE RANGE
LTC3110EFE#PBF	LTC3110EFE#TRPBF	LTC3110FE	24-Lead Plastic TSSOP	-40°C to 125°C
LTC3110IFE#PBF	LTC3110IFE#TRPBF	LTC3110FE	24-Lead Plastic TSSOP	-40°C to 125°C
LTC3110HFE#PBF	LTC3110HFE#TRPBF	LTC3110FE	24-Lead Plastic TSSOP	-40°C to 150°C
LTC3110EUF#PBF	LTC3110EUF#TRPBF	3110	24-Lead (4mm × 4mm) Plastic QFN	-40°C to 125°C
LTC3110IUF#PBF	LTC3110IUF#TRPBF	3110	24-Lead (4mm × 4mm) Plastic QFN	-40°C to 125°C
LTC3110HUF#PBF	LTC3110HUF#TRPBF	3110	24-Lead (4mm × 4mm) Plastic QFN	-40°C to 150°C

Consult LTC Marketing for parts specified with wider operating temperature ranges. \*The temperature grade is identified by a label on the shipping container.

Consult LTC Marketing for information on nonstandard lead based finish parts.

For more information on lead free part marking, go to: <http://www.linear.com/leadfree/>

For more information on tape and reel specifications, go to: <http://www.linear.com/tapeandreel/>. Some packages are available in 500 unit reels through designated sales channels with #TRMPBF suffix.

**ELECTRICAL CHARACTERISTICS** The ● denotes the specifications which apply over the specified operating junction temperature range, otherwise specifications are at  $T_A = 25^\circ\text{C}$  (Note 2).  $V_{\text{CAP}} = 3.3\text{V}$ ,  $V_{\text{SYS}} = 3.3\text{V}$ ,  $V_{\text{DIR}} = V_{\text{SGND}}$ ,  $V_{\text{MODE}} = V_{\text{RUN}} = V_{\text{SYS}} = SV_{\text{SYS}}$  unless otherwise noted.

PARAMETER	CONDITIONS		MIN	TYP	MAX	UNITS
$V_{\text{CAP}}$ No-Load Operating Range in Backup Operation	$V_{\text{SYS}} \geq 1.8\text{V}$		0.1		5.5	V
$V_{\text{CAP}}$ Start-Up	$V_{\text{SYS}} <$ Undervoltage Lockout Threshold	●	1.8			V
$V_{\text{SYS}}$ Operating Range in Charge Operation	$V_{\text{DIR}} = V_{\text{SYS}}$	●	1.8		5.25	V
Undervoltage Lockout Threshold	$V_{\text{SYS}}$ Ramping Down, $V_{\text{CAP}} = 0\text{V}$	●	1.55		1.71	V
	$V_{\text{SYS}}$ Ramping Up, $V_{\text{CAP}} = 0\text{V}$			V		
FB Feedback Voltage	$V_{\text{CAP}}$ Ramping Down, $V_{\text{SYS}} = 0\text{V}$ , $V_{\text{RUN}} = V_{\text{CAP}}$	●	1.55		1.71	V
	$V_{\text{CAP}}$ Ramping Up, $V_{\text{SYS}} = 0\text{V}$ , $V_{\text{RUN}} = V_{\text{CAP}}$			V		
FB Feedback Pin Input Current	$0^\circ\text{C} < T_J < 85^\circ\text{C}$ (Note 5) $-40^\circ\text{C} < T_J < 150^\circ\text{C}$	●	0.592	0.6	0.608	V
			0.589	0.6	0.611	V
FB Feedback Pin Input Current				0.1	50	nA
$FBV_{\text{CAP}}$ End-of-Charge Threshold Rising	$DIR = V_{\text{SYS}}$	●		1.095	1.117	V
$FBV_{\text{CAP}}$ End-of-Charge Threshold Falling	$DIR = V_{\text{SYS}}$	●	1.040	1.061		V
$FBV_{\text{CAP}}$ Input Current	$V_{\text{FBV}_{\text{CAP}}} = 1.1\text{V}$			0.1	50	nA
$FBV_{\text{CAP}}$ Overcharge Threshold Rising			1.125	1.150	1.175	V
$FBV_{\text{CAP}}$ Overcharge Hysteresis				35		mV
Quiescent Current, Burst Mode Operation ( $I_{\text{VCAP}} + I_{\text{V}_{\text{SYS}}} + I_{\text{SV}_{\text{SYS}}}$ )	$V_{\text{MODE}} = 0\text{V}$			40		$\mu\text{A}$
Quiescent Current, End of Charge ( $I_{\text{VCAP}} + I_{\text{V}_{\text{SYS}}} + I_{\text{SV}_{\text{SYS}}}$ )	$V_{\text{DIR}} = V_{\text{SYS}}$			40		$\mu\text{A}$
Quiescent Current, Shutdown ( $I_{\text{VCAP}}$ )	$V_{\text{RUN}} = 0\text{V}$ , $V_{\text{SYS}} = SV_{\text{SYS}} = 0\text{V}$			0.05	1	$\mu\text{A}$
Peak Current Limit in Backup Operation	(Note 4)		5	6	7	A
DC Current Limit in Backup Operation	(Note 4)	●	3.5	4.5		A
Peak Current Limit in Charge Operation	(Note 4)		5	6	7	A
Reverse Current Limit in Backup Operation	(Note 4)		1	1.2	2	A
Switch Leakage	Switch B, C: $V_{\text{CAP}} = V_{\text{SW}1} = 5.5\text{V}$ , $V_{\text{SYS}} = V_{\text{SW}2} = 5.25\text{V}$ ,			0.1		$\mu\text{A}$
	Switch A, D: $V_{\text{CAP}} = 5.5\text{V}$ , $V_{\text{SYS}} = 5.25\text{V}$ $V_{\text{SW}1} = V_{\text{SW}2} = 0\text{V}$			0.1		$\mu\text{A}$
Switch On-Resistance	Switch A (Note 6) Switch B (Note 6) Switch C (Note 6) Switch D Including Sense Resistor (Note 6)			64		$\text{m}\Omega$
				49		$\text{m}\Omega$
				49		$\text{m}\Omega$
				86		$\text{m}\Omega$
Oscillator Frequency	$V_{\text{CAP}} = 0.2\text{V}$ $V_{\text{SYS}} = 0.2\text{V}$	●	900	1200	1500	kHz
				300		kHz
				300		kHz
Soft Start-Up Time in Backup Mode	From $V_{\text{RUN}}$ rising to $V_{\text{FB}} = 90\%$		0.8	1.3	1.8	ms
Maximum Duty Cycle in Boost Mode	$V_{\text{CAP}} = 0.2\text{V}$	●	91	93	96	%
				98		%
Minimum Duty Cycle in Buck Mode		●			0	%
MODE Input Logic Threshold	Enable Burst Mode Operation Enable PWM Mode Operation		1		0.3	V
						V
MODE Input Pull-Down Resistor				6		$\text{M}\Omega$
DIR Threshold Rising		●	1.073	1.095	1.117	V
DIR Threshold Falling		●	1.024	1.045	1.066	V
DIR Hysteresis		●	30	50	70	mV
DIR Input Current	$V_{\text{DIR}} = 1.1\text{V}$			0.1	50	nA

## ELECTRICAL CHARACTERISTICS

The ● denotes the specifications which apply over the specified operating junction temperature range, otherwise specifications are at  $T_A = 25^\circ\text{C}$  (Note 2).  $V_{\text{CAP}} = 3.3\text{V}$ ,  $V_{\text{SYS}} = 3.3\text{V}$ ,  $V_{\text{DIR}} = V_{\text{SGND}}$ ,  $V_{\text{MODE}} = V_{\text{RUN}} = V_{\text{SYS}} = 5V_{\text{SYS}}$  unless otherwise noted.

PARAMETER	CONDITIONS	MIN	TYP	MAX	UNITS
CMPIN Threshold Rising		0.638	0.65	0.662	V
CMPIN Threshold Falling		● 0.575	0.59	0.605	V
CMPIN Input Current	$V_{\text{CMPIN}} = 5.5\text{V}$		0.1	50	nA
PROG Voltage	$V_{\text{FBV}_{\text{CAP}}} = 1\text{V}$ , $\text{DIR} = V_{\text{SYS}}$		0.6		V
PROG Current Gain	$\text{DIR} = V_{\text{SYS}}$		200		$\mu\text{A}/\text{A}$
$I_{\text{V}_{\text{SYS}}}$ Input Current Limit	$R_{\text{PROG}} = 24.3\text{k}$ (Notes 7, 8), $\text{DIR} = V_{\text{SYS}}$	119	123	128	mA
	$R_{\text{PROG}} = 24.3\text{k}$ (Notes 7, 8, 9), $\text{DIR} = V_{\text{SYS}}$ , $T_J = -40^\circ\text{C}$ to $125^\circ\text{C}$	115	123	135	mA
	$R_{\text{PROG}} = 12.1\text{k}$ (Notes 7, 8), $\text{DIR} = V_{\text{SYS}}$	241	248	255	mA
	$R_{\text{PROG}} = 12.1\text{k}$ (Notes 7, 8, 9), $\text{DIR} = V_{\text{SYS}}$ , $T_J = -40^\circ\text{C}$ to $125^\circ\text{C}$	234	248	270	mA
	$R_{\text{PROG}} = 6.04\text{k}$ (Notes 7, 8), $\text{DIR} = V_{\text{SYS}}$	487	497	507	mA
	$R_{\text{PROG}} = 6.04\text{k}$ (Notes 7, 8, 9), $\text{DIR} = V_{\text{SYS}}$ , $T_J = -40^\circ\text{C}$ to $125^\circ\text{C}$	473	497	525	mA
	$R_{\text{PROG}} = 3.01\text{k}$ (Notes 7, 8), $\text{DIR} = V_{\text{SYS}}$	977	997	1017	mA
	$R_{\text{PROG}} = 3.01\text{k}$ (Notes 7, 8, 9), $\text{DIR} = V_{\text{SYS}}$ , $T_J = -40^\circ\text{C}$ to $125^\circ\text{C}$	948	997	1046	mA
$V_{\text{MID}}$ to $V_{\text{CAP}}$ Voltage Ratio	$V_{\text{MID}} = \text{Open Load}$ , $V_{\text{CAP}} = 5\text{V}$	0.492	0.5	0.508	
	$V_{\text{CAP}} = 5\text{V}$ , $V_{\text{MID}} = 5\text{V}$	● 150	300		mA
$V_{\text{MID}}$ Balancing Current	$V_{\text{CAP}} = 5\text{V}$ , $V_{\text{MID}} = 0\text{V}$	●	-300	-150	mA
	$V_{\text{RUN}} = 0\text{V}$		0.1	1	$\mu\text{A}$
$V_{\text{MID}}$ Suspend Charging Threshold	$V_{\text{MID}}$ Rising, $V_{\text{CAP}} = 5\text{V}$		2.6	2.62	V
	$V_{\text{MID}}$ Falling, $V_{\text{CAP}} = 5\text{V}$	2.38	2.4		V
$\overline{\text{CHRG}}$ , $\overline{\text{CAPOK}}$ , $\overline{\text{CMPOUT}}$ Open-Drain Output Voltage	$I = 10\text{mA}$	●	0.1	0.3	V
RUN Input Logic Threshold		● 0.3		1	V
RUN Pull-Down Resistor			6		$\text{M}\Omega$

**Note 1:** Stresses beyond those listed under Absolute Maximum Ratings may cause permanent damage to the device. Exposure to any Absolute Maximum Rating condition for extended periods may affect device reliability and lifetime.

**Note 2:** The LTC3110 is tested under pulsed load conditions such that  $T_J \sim T_A$ . The LTC3110E is guaranteed to meet performance specifications from  $0^\circ\text{C}$  to  $85^\circ\text{C}$  junction temperature. Specifications over the  $-40^\circ\text{C}$  to  $125^\circ\text{C}$  operating junction temperature range are assured by design, characterization and correlation with statistical process controls. The LTC3110I is guaranteed to meet specifications over the  $-40^\circ\text{C}$  to  $125^\circ\text{C}$  operating junction temperature range. The LTC3110H is guaranteed to meet specifications over the full  $-40^\circ\text{C}$  to  $150^\circ\text{C}$  operating junction temperature range. High temperatures degrade operating lifetime; operating life time is derated for junction temperatures greater than  $125^\circ\text{C}$ .

Note that the maximum ambient temperature consistent with these specifications is determined by specific operating conditions in conjunction with board layout, the rated package thermal impedance and other environmental factors. The junction temperature ( $T_J$ , in  $^\circ\text{C}$ ) is calculated from the ambient temperature ( $T_A$ , in  $^\circ\text{C}$ ) and power dissipation ( $P_D$ , in watts) according to the formula:

$$T_J = T_A + (P_D \cdot \theta_{JA}),$$

where  $\theta_{JA}$  (in  $^\circ\text{C}/\text{W}$ ) is the package thermal impedance.

**Note 3:** This IC includes overtemperature protection that is intended to protect the device during momentary overload conditions. The maximum rated junction temperature will be exceeded when this protection is active. Continuous operation above the specified absolute maximum operating junction temperature may impair device reliability or permanently damage the device.

**Note 4:** Current measurements are performed when the LTC3110 is not switching. The current limit values measured in operation will be somewhat higher due to the propagation delay of the comparators.

**Note 5:** Guaranteed by design characterization and correlation with statistical process controls.

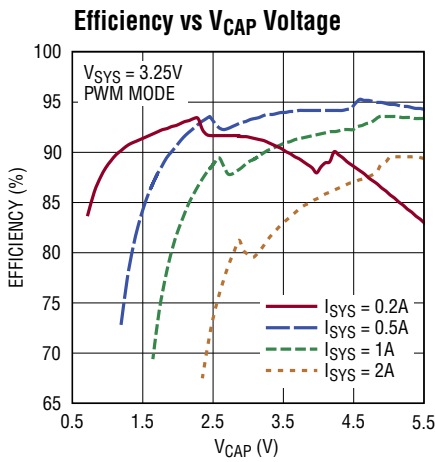
**Note 6:** Guaranteed by design, correlation and bench measurements.

**Note 7:** Current measurements are made when the output is not switching.

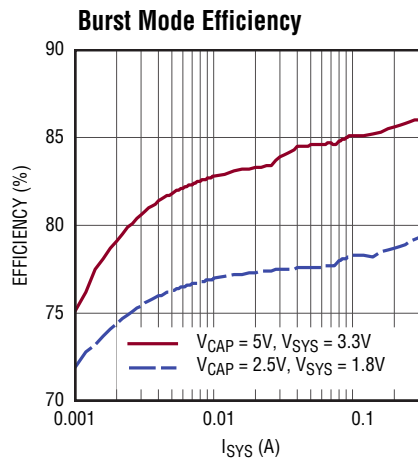
**Note 8:** Accuracy of this specification is directly related to the accuracy of the resistor used to program the parameter.

**Note 9:** The Input Current Limit is reduced at junction temperatures above  $125^\circ\text{C}$ . See Thermal Foldback of Charge Current in the Operation section, and the graph  $V_{\text{PROG}}$  Programming Voltage vs Temperature in the Typical Performance Characteristics section.

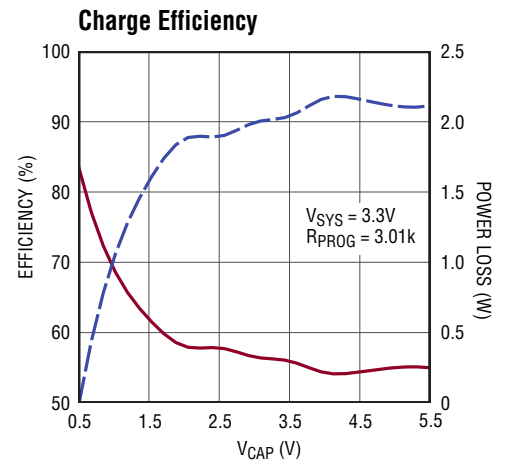
**TYPICAL PERFORMANCE CHARACTERISTICS**  $T_A = 25^\circ\text{C}$  unless otherwise noted



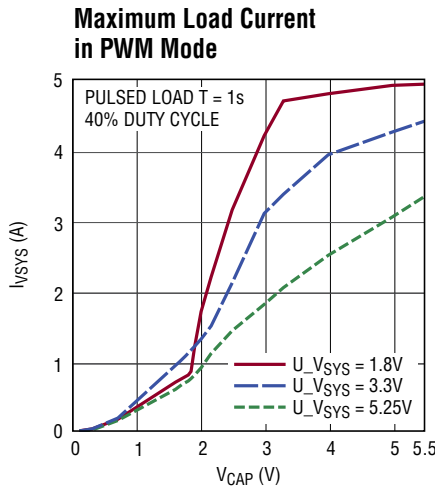
3110 G01



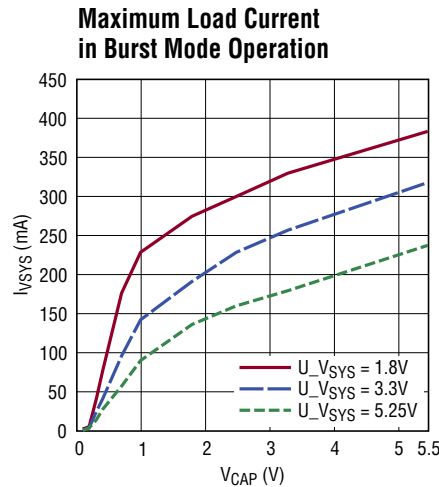
3110 G02



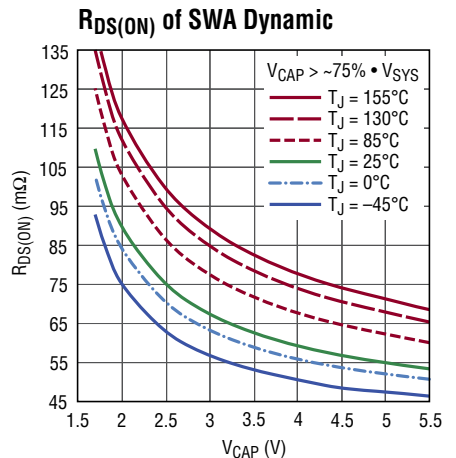
3110 G03



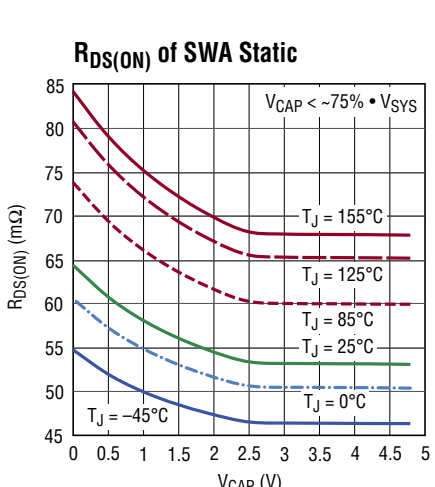
3110 G04



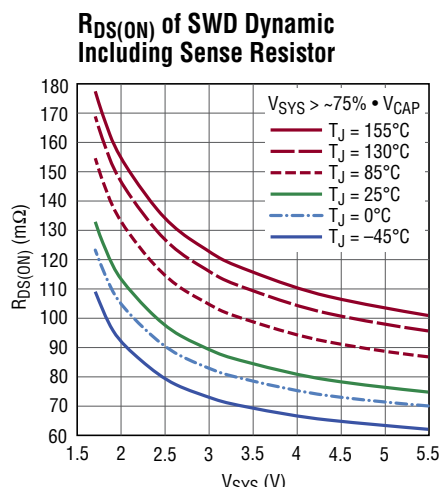
3110 G05



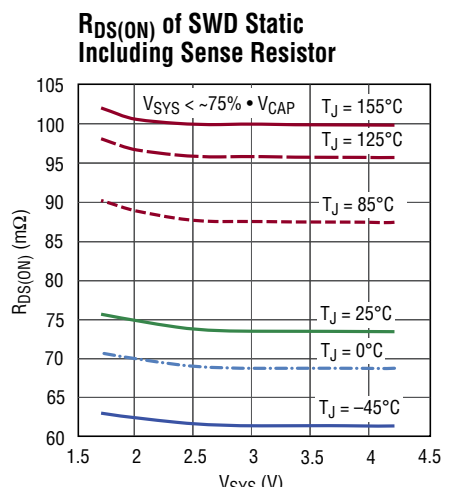
3110 G06



3110 G07

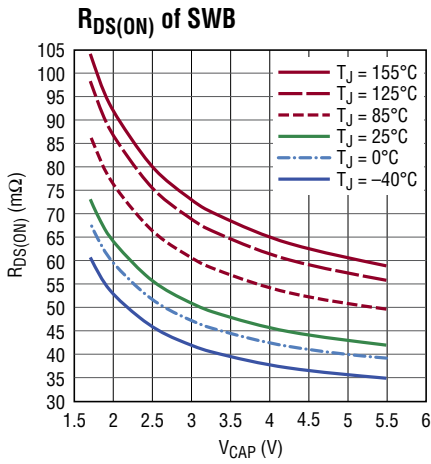


3110 G08

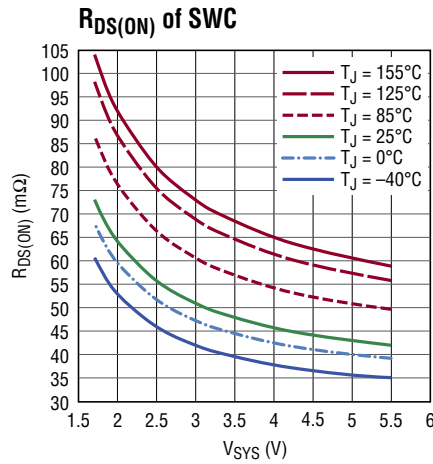


3110 G09

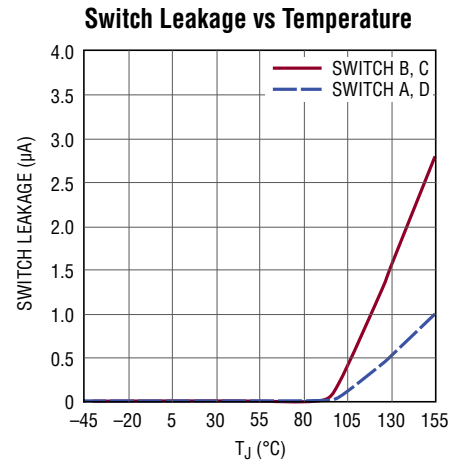
## TYPICAL PERFORMANCE CHARACTERISTICS $T_A = 25^\circ\text{C}$ unless otherwise noted



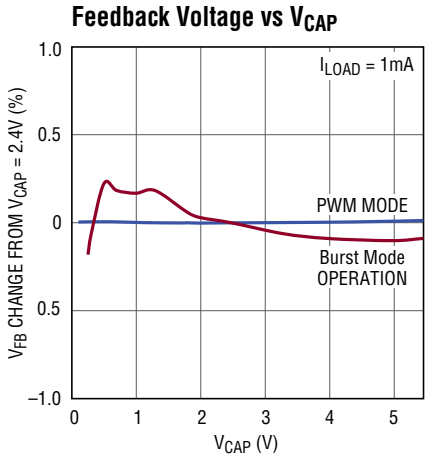
3110 G10



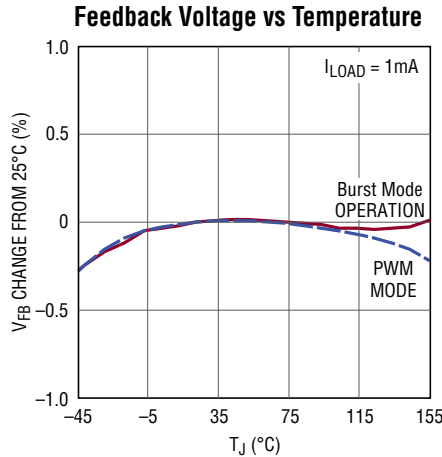
3110 G11



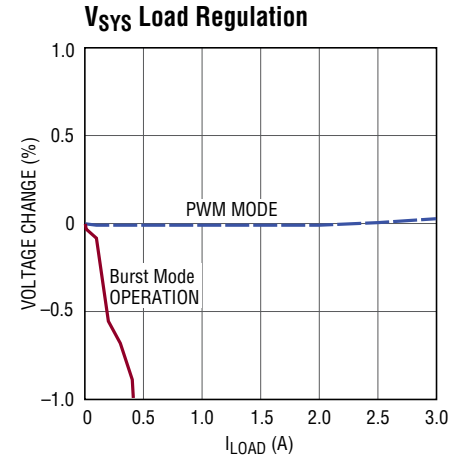
3110 G12



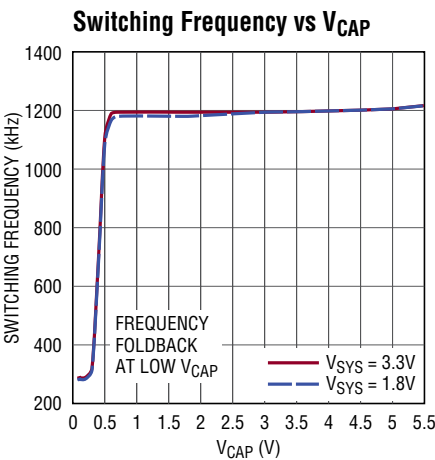
3110 G13



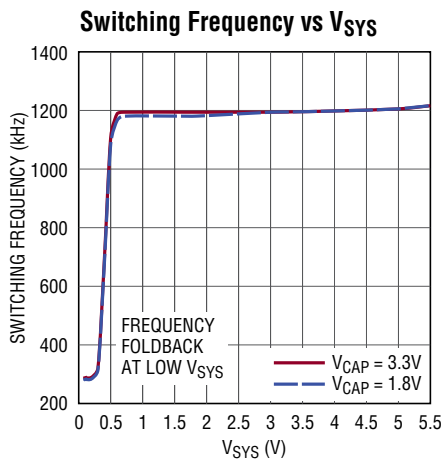
3110 G14



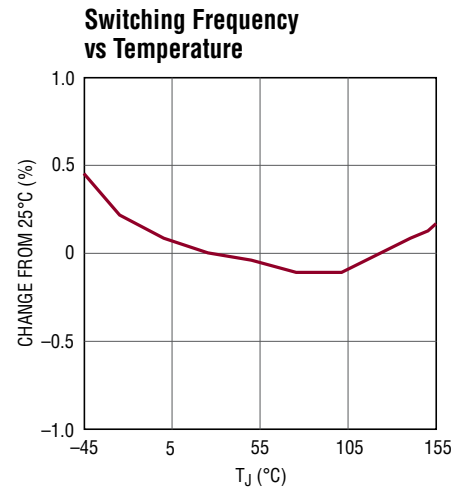
3110 G15



3110 G16

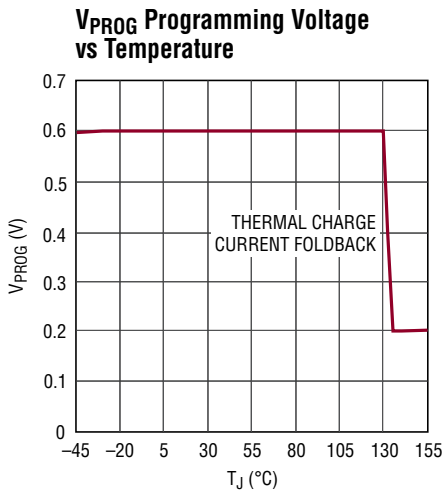


3110 G17

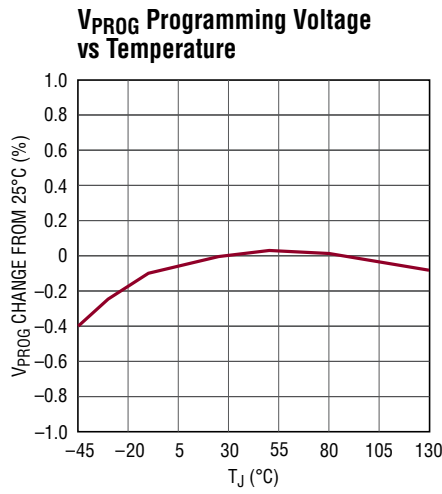


3110 G18

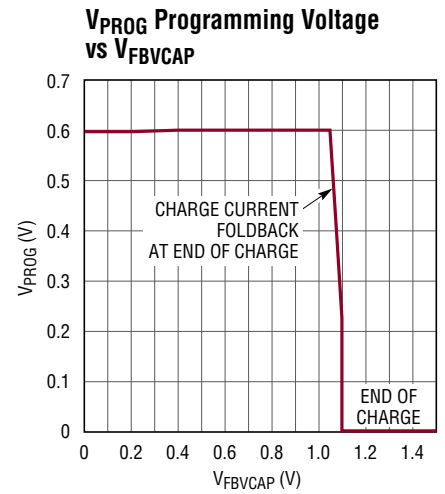
**TYPICAL PERFORMANCE CHARACTERISTICS**  $T_A = 25^\circ\text{C}$  unless otherwise noted



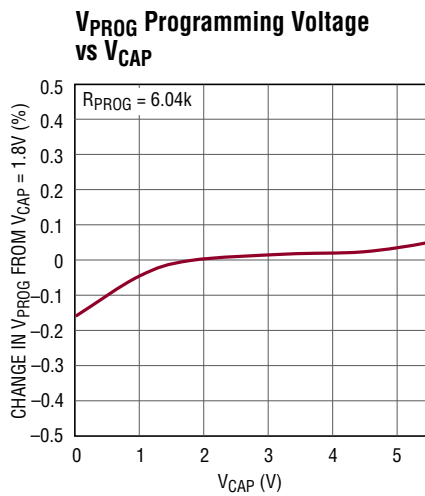
3110 G19



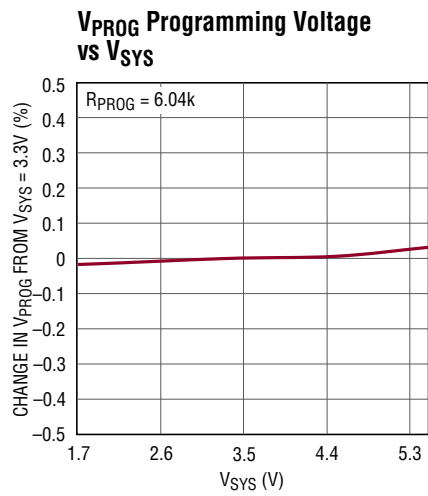
3110 G20



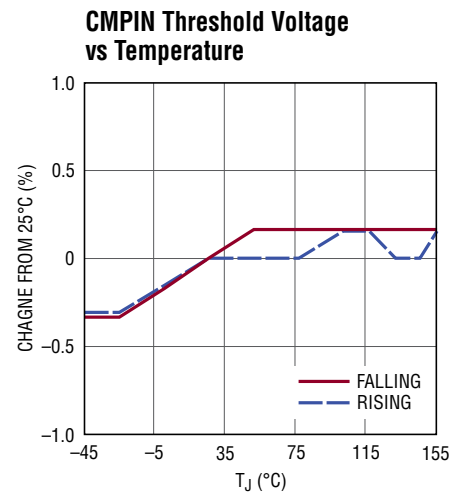
3110 G21



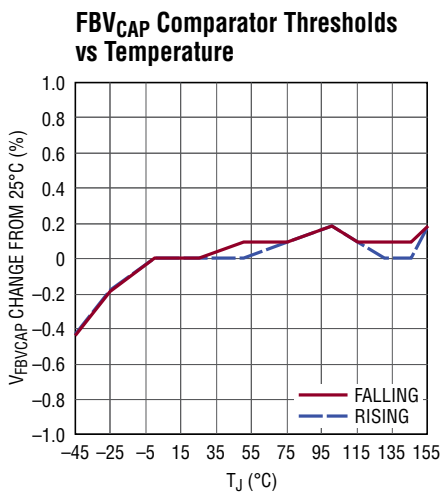
3110 G22



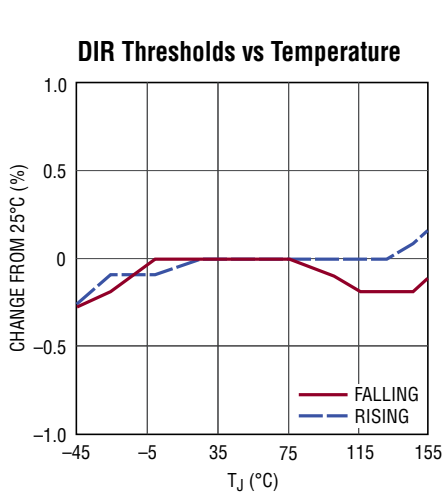
3110 G23



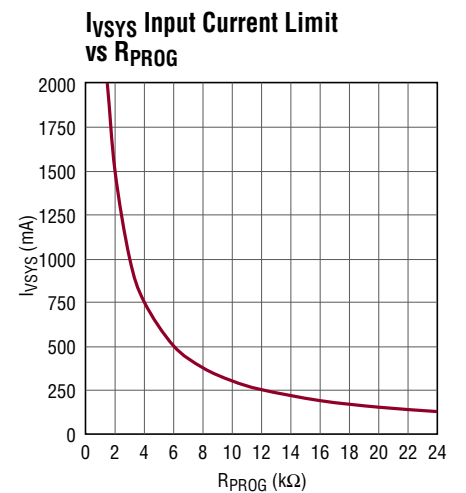
3110 G24



3110 G25

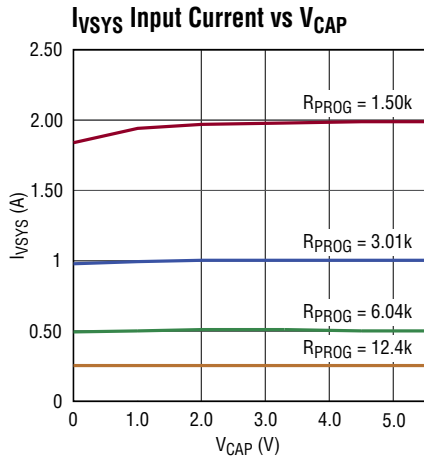


3110 G26

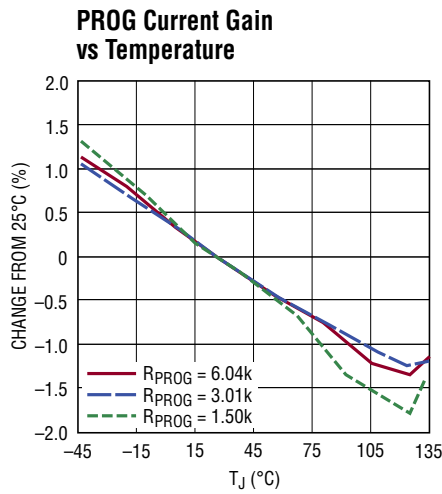


3110 G27

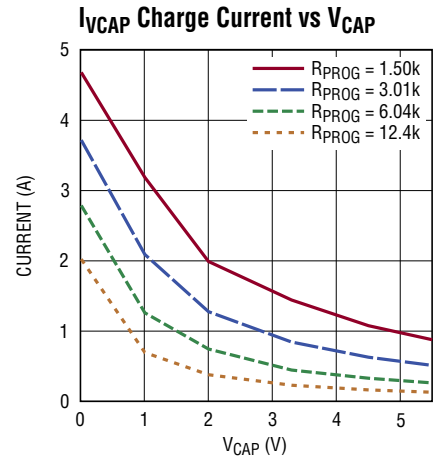
## TYPICAL PERFORMANCE CHARACTERISTICS $T_A = 25^\circ\text{C}$ unless otherwise noted



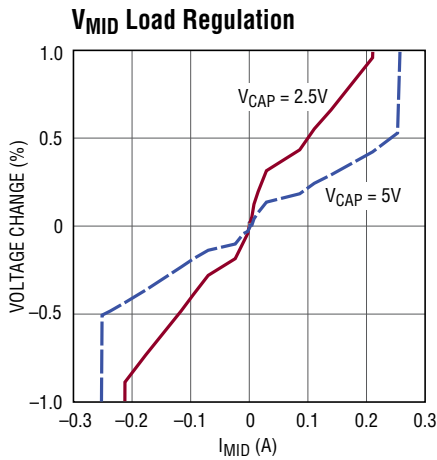
3110 G28



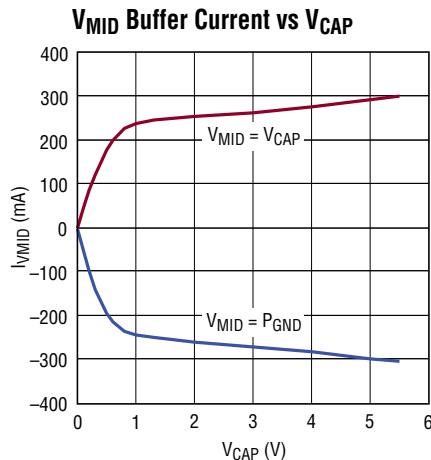
3110 G29



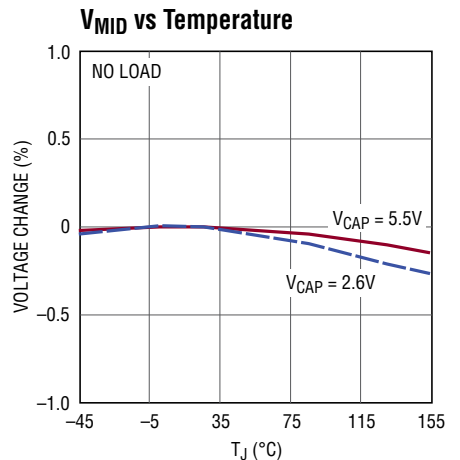
3001 G30



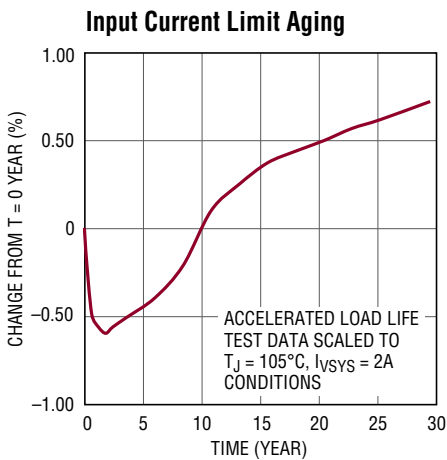
3110 G31



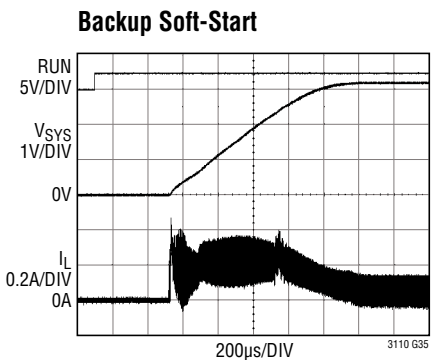
3110 G32



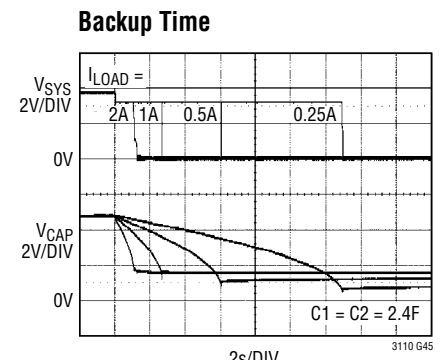
3110 G33



3110 G34



3110 G35

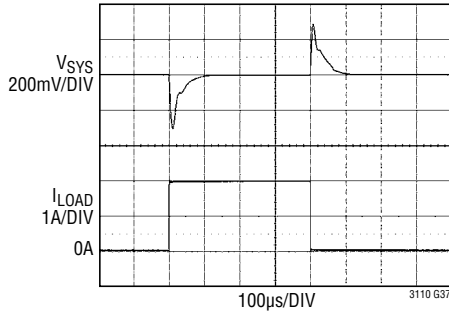


3110 G45

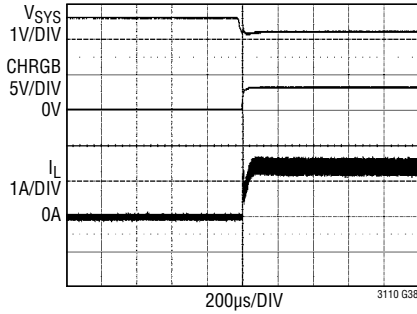


**TYPICAL PERFORMANCE CHARACTERISTICS**  $T_A = 25^\circ\text{C}$  unless otherwise noted

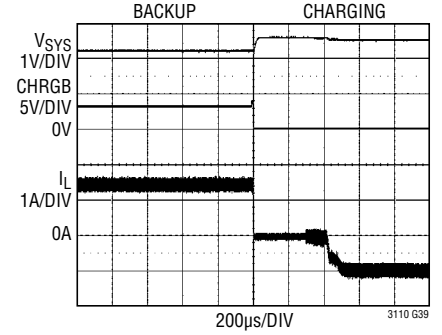
**Load Step 0A to 2A**



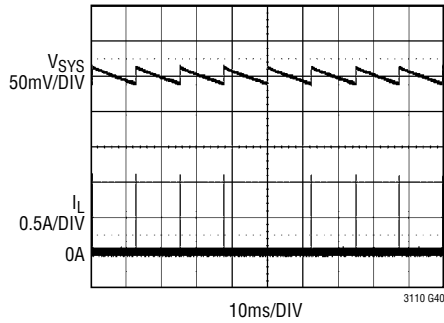
**Charge Sleep to Backup Transient in Autonomous Application**



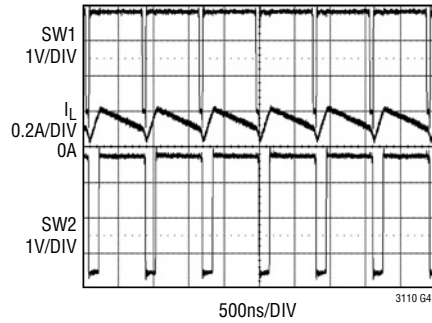
**Backup to Charge Transient in Autonomous Application**



**Burst Mode Operation**

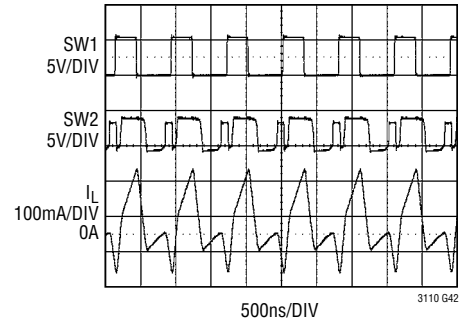


**PWM Mode Operation**



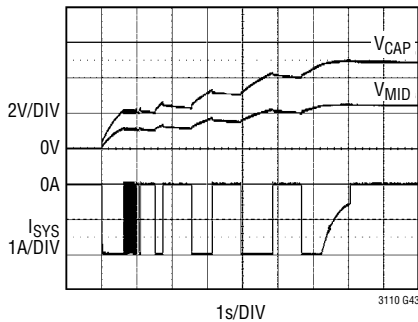
$I_{SYS} = 100\text{mA}$

**PWM Mode Operation in  $V_{CAP}$  Overvoltage Failure Condition**

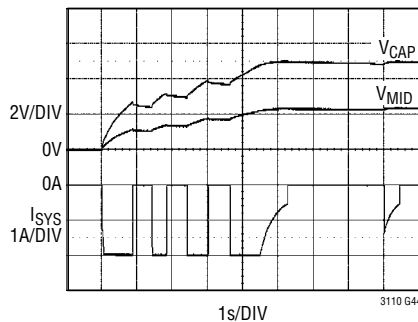


$FB_{V_{CAP}} = 1.2\text{V}$   
 $V_{DIR} = 0\text{V}$

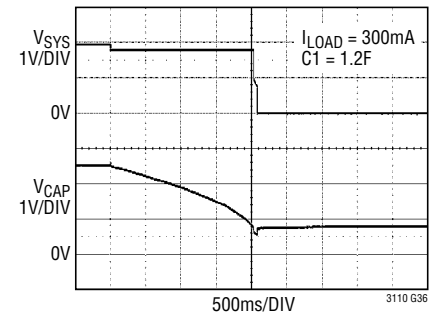
**Charge Balancer Operation  $C_1 > C_2$**



**Charge Balancer Operation  $C_1 < C_2$**



**Single Capacitor Backup**



$I_{LOAD} = 300\text{mA}$   
 $C_1 = 1.2\text{F}$

## PIN FUNCTIONS (FE/UFD)

**CAPOK (Pin 1/Pin 22):**  $V_{CAP}$  Voltage OK Indicator Output. The open-drain output is pulled low if the  $FBV_{CAP}$  voltage is lower than the  $FBV_{CAP}$  falling threshold. The output is released if  $FBV_{CAP}$  is higher than the rising threshold.

**CMPOUT (Pin 2/Pin 23):** General Purpose Comparator Output. The open-drain output is pulled low while the CMPIN pin voltage is above the comparator rising threshold. The output is released when CMPIN is below the falling threshold.

**MODE (Pin 3/Pin 24):** Burst/PWM Mode Selection Input. Driving MODE to a logic 1 state programs fixed frequency, low noise PWM operation. Driving MODE low programs Burst Mode operation. Note that the MODE pin has no effect when operating in charger mode.

**CMPIN (Pin 4/Pin 1):** General Purpose Comparator Positive Input with Hysteresis. The voltage at CMPIN is compared to an internal reference voltage. The pin can be driven digitally or configured as voltage supervisor with the help of an external resistor divider. If driven from a resistor divider or from a source with  $>200\Omega$  impedance, connect a  $0.1\mu\text{F}$  capacitor between CMPIN and GND for best performance. The CMPIN rising threshold is  $0.65\text{V}$  and the falling threshold is  $0.59\text{V}$ .

**$FBV_{CAP}$  (Pin 5/Pin 2):**  $V_{CAP}$  End-Of-Charge Voltage Programming Feedback Divider Input with Hysteresis. The end-of-charge threshold can be adjusted from  $1.1\text{V}$  to  $5.5\text{V}$ . The  $FBV_{CAP}$  rising threshold is  $1.095\text{V}$  and falling threshold is  $1.061\text{V}$ .

**SGND (Pin 6/Pin 3):** Signal Ground Connection. A ground plane is highly recommended. Sensitive analog compo-

nents terminated at ground should connect to the SGND pin with a Kelvin connection, separated from the high current path in PGND.

**DIR (Pin 7/Pin 4):** Charge/Backup Mode Selector Input with Hysteresis. A voltage on DIR above the rising threshold enables the LTC3110 charger mode. A voltage below the falling threshold enables the backup mode. The pin can be driven digitally, e.g., from a  $\mu\text{C}$ . With the help of an external resistor divider the pin can be configured as voltage supervisor input monitoring any system voltage. The DIR rising threshold is  $1.095\text{V}$  and the falling threshold is  $1.045\text{V}$ .

**RUN (Pin 8/Pin 5):** Logic-Controlled Shutdown Input.

$\text{RUN} \geq 1.0\text{V}$ : Normal Operation

$\text{RUN} \leq 0.3\text{V}$ : Shutdown

**FB (Pin 9/Pin 6):**  $V_{SYS}$  Backup Voltage Feedback Pin. Connect resistor divider tap here. The  $V_{SYS}$  voltage can be adjusted from  $1.8\text{V}$  to  $5.25\text{V}$ . The feedback reference voltage is  $0.6\text{V}$ .

**PROG (Pin 10/Pin 7):** Charger Input Current ( $I_{V_{SYS}}$ ) Programming Resistor. A resistor from PROG to SGND programs the average current flowing in  $V_{SYS}$  when operating in charging mode.

$$R_{\text{PROG}} = \frac{3\text{k}\Omega \cdot A}{I_{V_{SYS}}} \text{ for } 1.5\text{k}\Omega < R_{\text{PROG}} < 24.3\text{k}\Omega$$

$R_{\text{PROG}}$  can be increased to  $48.7\text{k}$  if the charge current fold-back is avoided with  $FBV_{CAP}$  held down  $< 1\text{V}$  or grounded.

## PIN FUNCTIONS (FE/UFD)

**CHRG (Pin 11/Pin 8):** Charge/Backup Mode Indicator Output. The open-drain output is pulled low while the regulator is in charge mode. The open-drain output is released while the regulator is in backup mode.

**SV<sub>sys</sub> (Pin 12/Pin 9):** Signal Supply Voltage Input for Buck/Boost Controller Circuitry. Pin must be shorted to V<sub>sys</sub> or supplied from V<sub>sys</sub> through a RC filter. See the Applications Information section for details.

**V<sub>sys</sub> (Pins 13, 15/Pins 10, 12):** Bidirectional Power Supply Pin for System Backup Output Voltage and Charge Current Input Voltage. A bypass capacitor must be connected between V<sub>sys</sub> and PGND. Refer to the Typical Applications schematics and the Applications Information section for capacitor selection details.

**R<sub>SEN</sub> (Pin 14/Pin 11):** Current Sense Resistor Tap at Junction of Internal Sense Resistor and Switch D. Pin R<sub>SEN</sub> is internally shorted to pin V<sub>sys</sub> via low impedance. DC current in R<sub>SEN</sub> must be limited to 1.6A.

**SW2 (Pins 16, 17/Pin 13, 14):** Switch Pin Connected to Internal Switches C and D of the Buck-Boost Regulator. Connect one side of the buck-boost inductor to SW2. Provide a short wide PCB trace from the inductor to SW2 to minimize voltage transients and noise.

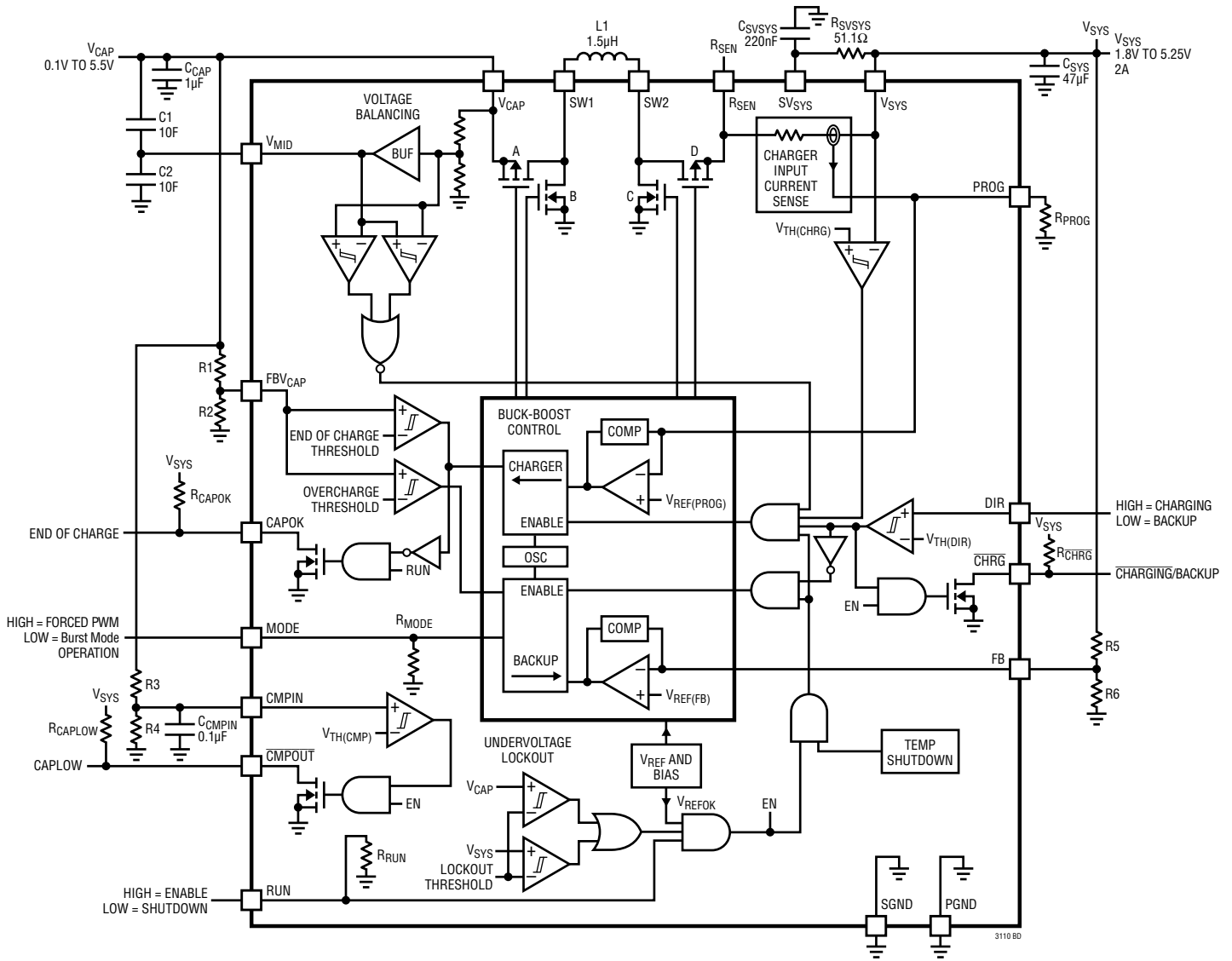
**PGND (Pins 18, 19, Exposed Pad Pin 25/Pins 15, 16, Exposed Pad Pin 25):** Power Ground Connection. Terminate all high current ground paths to PGND. The exposed pad must be soldered to the PCB ground for rated thermal performance.

**SW1 (Pins 20, 21/Pins 17, 18):** Switch Pin Connected to Internal Switches A and B of the Buck-Boost Regulator. Connect one side of the buck-boost inductor to SW1. Provide a short wide PCB trace from the inductor to SW1 to minimize voltage transients and noise.

**V<sub>cap</sub> (Pins 22, 23/Pins 19, 20):** Bidirectional Power Pin for Connection to Supercap Backup Capacitor(s) or Backup Battery(ies). When in charge mode a current flows out of pin V<sub>cap</sub> to charge the storage elements connected between V<sub>cap</sub> and PGND. When in backup mode the current is flowing into pin V<sub>cap</sub> and the stored energy is used to backup the load on V<sub>sys</sub>.

**V<sub>mid</sub> (Pin 24/Pin 21):** Active Voltage Balancing Power Output. This pin should be tied to the junction of two series supercapacitors. If the output is not used, a compensation capacitor of 1nF must be connected between pins V<sub>mid</sub> and PGND.

## BLOCK DIAGRAM



3110 BD

## OPERATION

### INTRODUCTION

The LTC3110 is a monolithic buck-boost DC/DC regulator/charger combination with pin-selectable operation modes to utilize a single LTC3110 device for charging ( $V_{DIR} = \text{high}$ ) as well as for system backup ( $V_{DIR} = \text{low}$ ). During charging a limit for the average current drawn from the system power source can be accurately programmed with an external resistor. An integrated, active, voltage balancing buffer at pin  $V_{MID}$  prevents capacitor overvoltage conditions caused from capacitor mismatch while charging a stack of supercapacitors.

The buck-boost regulator utilizes a proprietary switching algorithm which allows the system voltage,  $V_{SYS}$ , to be regulated above, below, or equal to the voltage on the storage element,  $V_{CAP}$ , without discontinuity in inductor current or large voltage ripple in the backup voltage  $V_{SYS}$ .

With the DIR pin direction control circuitry, the LTC3110 can instantly reverse the inductor current and change between charging and backup operation modes, reacting quickly on a power failure condition by providing the backup voltage to the system (see Figure 1).

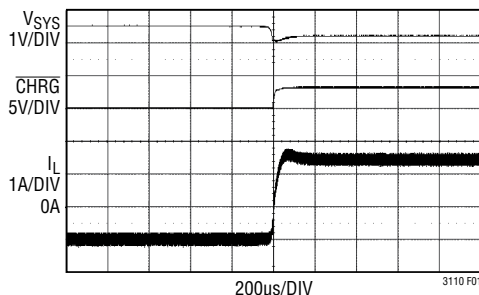


Figure 1. Transition from Charge into Backup Operation

The LTC3110 has been optimized to reduce quiescent current in shutdown and standby for applications that are sensitive to quiescent current drawn from the system voltage,  $V_{SYS}$ , or the storage element,  $V_{CAP}$ . In charge operation the standby current is only  $40\mu\text{A}$ . In backup/Burst Mode operation, the no-load standby current is only  $40\mu\text{A}$ . In shutdown the total supply current is reduced to less than  $1\mu\text{A}$ .

### Charging

When powered from the system voltage,  $V_{SYS}$ , the buck-boost regulator is usually set to operate in charge mode ( $V_{DIR} = \text{high}$ ), that is, a voltage source connected to  $V_{SYS}$  is the power input into the LTC3110 and the converter charges a backup storage element connected between the  $V_{CAP}$  and PGND pins. When operating in charge mode, the LTC3110's average current limit circuitry is active. With a resistor between the PROG and SGND pins, the maximum average current drawn from  $V_{SYS}$  can be programmed to accurately limit the current demand.

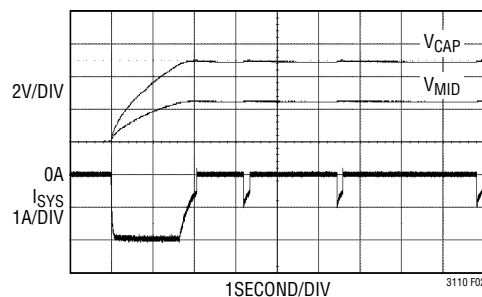


Figure 2. Charge Foldback and Charge Termination

### Active Charge Balancer

While charging, the integrated linear charge balancing buffer regulates the mid-voltage,  $V_{MID}$ , of a stack of capacitors to half of  $V_{CAP}$  thus equalizing out voltage mismatches of top and bottom capacitor, see Figure 3. If the capacitor mismatch is exceeding the current capabilities of the charge balancer, charging is suspended until  $V_{MID}$  comes back to half of  $V_{CAP}$  (see charging waveforms in the Typical Performance Characteristics section). Note, the suspend charge function is only active for  $V_{CAP} > 2.2\text{V} = V_{TH(\text{CHRG})}$  with hysteresis. For  $V_{CAP} < 2\text{V}$  the charger operation is always continuous.

## OPERATION

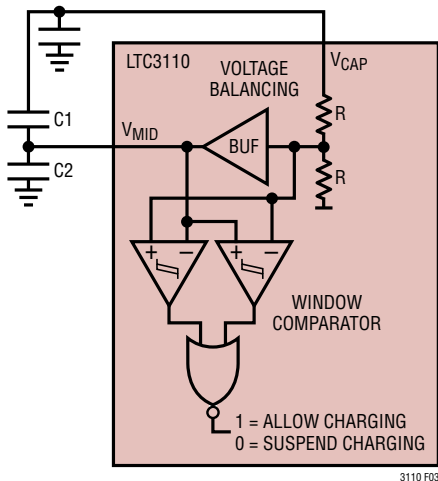


Figure 3. Active Charge Balancer

### Charge Termination

The final charge voltage at pin  $V_{CAP}$  is programmed with a resistor divider at  $FBV_{CAP}$ , see Figure 10 in the Application Information Section.

If  $FBV_{CAP}$  exceeds typically 95% of its end of charge threshold, the PROG reference voltage and with it the charge current level begins to fold back (see Figure 2). Before charge termination the charge current is eventually folded back to a level of typically 30% of the programmed value (see charging waveforms in the Typical Performance Characteristic section). When the programmed voltage level is reached, the controller will terminate charging and switch off into a low quiescent current state wherein the charge balancer at the  $V_{MID}$  pin is disabled and the CAPOK pin is released. The low current state is maintained until the voltage on  $V_{CAP}$  decays and the  $FBV_{CAP}$  falling threshold is crossed. After this, controller and charge balancer will resume operation with the CAPOK pin pulled low until the regulation voltage is reached again. Note the IC cannot prevent outside sources leaking current into the capacitors from overvoluting them.

### Backup Operation in Fixed Frequency PWM Mode

With the MODE pin held high while  $V_{DIR} = \text{low}$ , the LTC3110 operates in a fixed-frequency pulse-width modulation (PWM) mode using a voltage mode control loop. This mode of operation maximizes the  $V_{SYS}$  backup current

that can be delivered by the converter, reduces  $V_{SYS}$  voltage ripple, and yields a low noise fixed-frequency switching spectrum. A proprietary switching algorithm provides seamless transitions between operating modes and eliminates discontinuities in the average inductor current, inductor current ripple, and loop transfer function throughout all regions of operation. These advantages result in increased efficiency, improved loop stability, and lower  $V_{SYS}$  voltage ripple in comparison to the traditional 4-switch buck-boost converter.

Figure 4 shows the topology of the LTC3110 power stage which is comprised of two P-channel MOSFET switches and two N-channel MOSFET switches and their associated gate drivers. In response to the error amplifier output, an internal pulse-width modulator generates the appropriate switch duty cycles to maintain regulation of the  $V_{SYS}$  voltage.

When the  $V_{CAP}$  voltage is significantly greater than the  $V_{SYS}$  voltage, the buck-boost converter operates in buck mode. Switch D turns on continuously and switch C remains off. Switches A and B are pulse-width modulated to produce the required duty cycle to support the  $V_{SYS}$  regulation voltage. As the  $V_{CAP}$  voltage decreases, switch A remains on for a larger portion of the switching cycle. When the duty cycle reaches approximately 90%, the switch pair AC begins turning on for a small fraction of the switching period. As the  $V_{SYS}$  voltage decreases further, the AC switch pair remains on for longer durations and the duration of the BD phase decreases proportionally. At this point, switch A remains on continuously while switch pair CD is pulse-width modulated to obtain the desired  $V_{SYS}$  voltage. At this point, the converter is operating solely in boost mode.

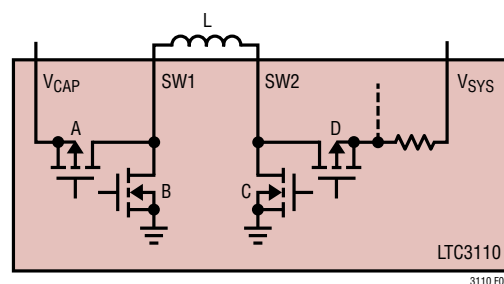


Figure 4. Buck-Boost Switch Topology

## OPERATION

### Backup in Burst Mode Operation

When MODE is held low while  $V_{DIR} = \text{low}$ , the buck-boost converter operates in Burst Mode operation using a variable frequency switching algorithm that minimizes the no-load input quiescent current and improves efficiency at light load by reducing the amount of switching to the minimum level required to support the load. The  $V_{SYS}$  current capability in Burst Mode operation is substantially lower than in PWM mode and is intended to support light stand-by loads. Curves showing the maximum Burst Mode load current as a function of the  $V_{CAP}$  and  $V_{SYS}$  voltage can be found in the Typical Performance Characteristics section of this data sheet. If the converter load in Burst Mode operation exceeds the maximum Burst Mode current capability,  $V_{SYS}$  will lose regulation. Each Burst Mode cycle is initiated when switches A and C turn on producing a linearly increasing current through the inductor. When the inductor current reaches the Burst Mode peak current limit, switches A and C are turned off and switches B and D are turned on, discharging the energy stored in the inductor into the  $V_{SYS}$  capacitor and load. Once the inductor current reaches zero, all switches are turned off and the cycle is complete. Current pulses generated in this manner are repeated as often as necessary to maintain regulation of the  $V_{SYS}$  voltage.

### $V_{CAP}$ Peak and DC-Current Limits (Backup Mode)

The LTC3110 has two current limit circuits that are designed to limit the peak inductor current to ensure that the switch currents remain within the capabilities of the IC during output short-circuit or overload conditions. First current limit: In PWM mode the  $V_{CAP}$  DC current limit operates by injecting a current into the feedback pin (FB). For this current limit feature being most effective, the Thevenin resistance ( $R_{BOT}/R_{TOP}$ ) from FB to ground should exceed 100k $\Omega$ .

On a hard  $V_{SYS}$  short, with Burst Mode operation or PWM mode selected, it is possible for the inductor current to increase substantially beyond the DC current limit threshold. In this case the peak current, second current limit, turns off the power switch until the start of the next switching cycle.

### Reverse Current Limit (Backup Mode)

In PWM mode operation the LTC3110 has the ability to actively conduct current away from  $V_{SYS}$  if it is necessary to maintain regulation. If  $V_{SYS}$  is held above the regulation voltage, it could result in large reverse currents. This situation can occur if  $V_{SYS}$  of the LTC3110 is held up by another supply. To prevent damage to the part in this condition, the LTC3110 has a reverse current comparator that monitors the current entering power switch D from the load. If this current exceeds 1.2A (typical), switch D is turned off for the remainder of the switching cycle. For a no-load current application, the inductor current ripple must be lower than double the minimum reverse current limit ( $1A \cdot 2 = 2A$  maximum inductor current ripple). See the Inductor Selection section for information about how to calculate the inductor current ripple.

### Preventing $V_{CAP}$ Overcharge Failure Due to Reverse DC Current (Backup Mode)

If during PWM backup operation (MODE = high and DIR = low), an external power supply or any second DC/DC regulator wrongly drives  $V_{SYS}$  higher than the programmed back-up voltage level, the LTC3110 will reverse its  $V_{SYS}$  current and simultaneously create reverse current flow charging  $V_{CAP}$ . If the wrong  $V_{SYS}$  voltage level is kept for a longer period of time,  $FB_{VAP}$  may exceed the overcharge threshold and the LTC3110 stops reverse charging.

Charging through reverse DC current while  $V_{DIR}$  is low is not indicated at pin  $\overline{CHRG}$ , which remains high impedance.

The overcharge condition is generally prevented in the application by setting the LTC3110 into charge operation, if  $V_{SYS}$  is driven from an external source.

If the external source is supervised from the DIR comparator, the  $\overline{CHRG}$  output can drive the gate of a PMOS and isolate the external source in backup operation, see applications with PFET on pages 29, 30, 31.

If  $V_{SYS}$  is supervised from the DIR comparator, the external source must be capable to deliver more than the maximum reverse current limit of the LTC3110 in backup direction, see autonomous application on page 36. Only if the external supply is strong enough, charge operation can be initiated reliably.

## OPERATION

### FBV<sub>CAP</sub> Failure Condition

External component failures, e. g., open or shorted resistors or leakage currents at pin FBV<sub>CAP</sub>, can cause V<sub>CAP</sub> to charge up to a higher, undefined voltage. If V<sub>CAP</sub> exceeds typically 5.95V, the LTC3110 suspends charging which protects the LTC3110 from substantially exceeding the absolute maximum ratings if FBV<sub>CAP</sub> is shorted to ground.

Note supercapacitors and batteries often have a lower maximum voltage rating than 5.95V. In these cases the general purpose comparator can be configured to detect the overvoltage at V<sub>CAP</sub> (see the figure General Purpose Comparator as redundant V<sub>CAP</sub> supervisor in the Application Information section).

### Soft-Start (Backup Mode)

To minimize V<sub>CAP</sub> current transients on power-up, the LTC3110 incorporates an internal soft-start circuit. The soft-start is implemented by a linearly increasing ramp of the error amplifier reference voltage during the soft-start duration. During the soft-start period the regulator is always operating in PWM operation independent of the MODE pin setting. In case the V<sub>SYS</sub> voltage at start-up is already pre-charged above 80% of the target value, the soft-start is skipped and the LTC3110 immediately enters the mode of operation that has been set with the MODE pin. The soft-start period is reset by thermal shutdown and from undervoltage lockout events.

### Error Amplifier and Internal Compensation of V<sub>SYS</sub> Backup Voltage Regulation

The buck-boost converter utilizes a voltage mode error amplifier with an internal compensation network.

### Error Amplifier and Internal Compensation of V<sub>SYS</sub> Average Current Limit Regulation

The buck-boost converter in charge mode (DIR = high) utilizes an error amplifier with an internal compensation network to regulate the average current flowing into the V<sub>SYS</sub> pin. The current limit is programmable with R<sub>PROG</sub>.

### R<sub>SEN</sub> Current Sense Resistor Tap

R<sub>SEN</sub> connects to the junction of FET D and the integrated sense resistor.

The R<sub>SEN</sub> pin can be left unconnected, otherwise a load current, I<sub>RSEN</sub>, will simultaneously decrease the average charge current flowing out of the V<sub>CAP</sub> pin. Note: A fast voltage step at V<sub>SYS</sub> in the presence of a large R<sub>SEN</sub> capacitor causes a large inrush current through the internal R<sub>SEN</sub> resistor, e. g., closure of a mechanical power connection supplying V<sub>SYS</sub>. In these cases, the value of the capacitor between R<sub>SEN</sub> and ground is limited to a maximum of 10μF.

### V<sub>CAPOK</sub> End-Of-Charge Indicator and FBV<sub>CAP</sub> Comparator

The LTC3110 includes an open-drain comparator output pin, V<sub>CAPOK</sub>, which is used to indicate the charging state of the energy storage element.

The comparator input, FBV<sub>CAP</sub>, is typically connected with a resistor divider from V<sub>CAP</sub> to ground in order to program the final charge voltage. When FBV<sub>CAP</sub> exceeds the rising threshold, the comparator output, V<sub>CAPOK</sub>, is high impedance. When FBV<sub>CAP</sub> drops below the falling threshold, V<sub>CAPOK</sub> is pulled to ground. While RUN = high, CAPOK continues to pull down with reduced strength until both V<sub>CAP</sub> and V<sub>SYS</sub> are below the threshold of the internal pull-down transistor, maximum 1.4V.

The comparator operates in both charge and backup mode and is unconditionally released if the LTC3110 is shut down with RUN = low.

### CHRG Operation Mode Indicator and DIR Comparator

The LTC3110 includes an open-drain DIR comparator output pin, CHRG, which is typically used to indicate the operation mode of the chip: charge or backup. With the help of a pull-up resistor the output can be used to interface with a microcontroller, or connect to the gate of a p-channel MOSFET used as an input isolation switch (see USB application in the Typical Application section).

The DIR comparator has hysteresis and the CHRG pin is pulled low while V<sub>DIR</sub> is greater than the comparator rising threshold and CHRG is released while V<sub>DIR</sub> is lower than its falling threshold.



## OPERATION

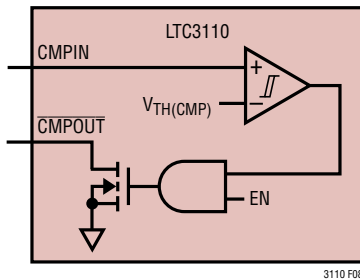


Figure 5. General Purpose Comparator

The  $\overline{\text{CHRG}}$  pin is unconditionally released if the LTC3110 is shut down with  $\text{RUN} = \text{low}$  or in undervoltage condition. Note that the  $\text{DIR}$  pin can be driven above  $V_{\text{CAP}}$  or  $V_{\text{SYS}}$ , as long as the voltage is limited to less than the absolute maximum rating.

### General Purpose Comparator

The LTC3110 includes a voltage comparator with its input accessible at the  $\text{CMPIN}$  pin and with a fixed internal reference voltage.

The comparator can be used to monitor  $V_{\text{CAP}}$ ,  $V_{\text{SYS}}$  or any auxiliary supply voltage. The open-drain output,  $\overline{\text{CMPOUT}}$ , can interface to a microcontroller with the help of a pull-up resistor. The comparator is typically used to supervise  $V_{\text{CAP}}$  and to set a threshold for the lowest  $V_{\text{CAP}}$  voltage tolerated in backup mode before the system needs to reduce power consumption. The  $\overline{\text{CMPOUT}}$  pin is unconditionally released if the LTC3110 is shut down with  $\text{RUN} = \text{low}$  or in undervoltage condition (see also the Applications Information section).

### Shutdown

Shutdown of the LTC3110 is accomplished by pulling the  $\text{RUN}$  pin below 0.3V and IC operation is enabled by pulling the  $\text{RUN}$  pin above 1.0V. The  $\text{RUN}$  pin has an internal pull-down resistor. Note that  $\text{RUN}$  can be driven above  $V_{\text{CAP}}$  or  $V_{\text{SYS}}$ , as long as the voltage is limited to less than the absolute maximum rating.

### Thermal Foldback of Charge Current

To help preventing the LTC3110 from going into thermal shutdown when charging very large capacitors, the

LTC3110 is equipped with a thermal regulator. If the die temperature exceeds 130°C (typical) the average  $V_{\text{SYS}}$  current limit is lowered to help reduce the amount of power being dissipated in the package. The current limit is reduced to approximately 15% of the programmed limit just before thermal shutdown. The current limit will return to its full value when the die temperature drops below 130°C, typically.

### Undervoltage Lockout

If either voltages at  $V_{\text{CAP}}$  and  $V_{\text{SYS}}$  drop below the undervoltage lockout falling threshold, the LTC3110 will stop operation and the  $\text{SW1}$ ,  $\text{SW2}$ ,  $V_{\text{MID}}$ ,  $\overline{\text{CMPOUT}}$ ,  $\overline{\text{CHRG}}$  and  $\text{PROG}$  pins will be high impedance.  $\text{CAPOK}$  will continue to pull down with reduced strength until both  $V_{\text{CAP}}$  and  $V_{\text{SYS}}$  are below the threshold of the internal pull-down transistor, maximum 1.4V. The LTC3110 will resume operation when at least one pin,  $V_{\text{CAP}}$  or  $V_{\text{SYS}}$ , rises above the undervoltage lockout rising threshold.

### THERMAL CONSIDERATIONS

The power switches in the LTC3110 are designed to operate continuously with currents up to the internal current limit thresholds. However, when operating at high current levels there may be significant heat generated within the IC. As a result, careful consideration must be given to the thermal environment of the IC in order to optimize efficiency and ensure that the LTC3110 is able to provide its full-rated output current. Specifically, the exposed pad of both the QFN and TSSOP packages shall be soldered to the PC board and the PC board should be designed to maximize the conduction of heat out of the IC package. If the die temperature exceeds approximately 165°C, the IC will enter overtemperature shutdown, all switching will be inhibited and the charge balancer disabled. Note: Open-drain output pins  $\text{CAPOK}$ ,  $\overline{\text{CMPOUT}}$  and  $\overline{\text{CHRG}}$  may still pull down while in thermal shutdown. The part will remain disabled until the die cools by approximately 10°C. The soft-start circuit is reinitialized in overtemperature shutdown to provide a smooth recovery when the fault condition is removed.

## APPLICATIONS INFORMATION

The standard LTC3110 application circuit is shown as the Typical Application on the front page of this data sheet. The appropriate selection of external components is dependent upon the required performance of the IC in each particular application given considerations and trade-offs such as PCB area, cost,  $V_{SYS}$  and  $V_{CAP}$  voltage, allowable ripple voltage, efficiency and thermal considerations. This section of the data sheet provides some basic guidelines and considerations to aid in the selection of external components and the design of the application circuit.

### Inductor Selection

The choice of inductor used in LTC3110 application circuits influences the maximum deliverable backup and charge current, the magnitude of the inductor current ripple, and the power conversion efficiency. The inductor must have low DC series resistance or current capability and efficiency will be compromised. Larger inductance values reduce inductor current ripple and will therefore generally yield greater backup current capability. For a fixed DC resistance, a larger value of inductance will yield higher efficiency by reducing the peak current to be closer to the average backup current and therefore minimize resistive losses due to high RMS currents. However, a larger inductor within any given inductor family will generally have a greater series resistance, thereby counteracting this efficiency advantage. An inductor used in LTC3110 applications should have a saturation current rating that is greater than the worst-case average inductor current plus half the ripple current. The peak-to-peak inductor current ripple for each operational mode can be calculated from the following formula:

$$\Delta I_{L(P-P)(BUCK)} = \frac{V_{SYS}}{1.2\text{MHz} \cdot L} \left( \frac{V_{CAP} - V_{SYS}}{V_{CAP}} \right)$$

$$\Delta I_{L(P-P)(BOOST)} = \frac{V_{CAP}}{1.2\text{MHz} \cdot L} \left( \frac{V_{SYS} - V_{CAP}}{V_{SYS}} \right)$$

L is the inductance in  $\mu\text{H}$ .

In addition to its influence on power conversion efficiency, the inductor DC resistance can also impact the maximum output capability of the buck-boost converter particularly at low  $V_{CAP}$  voltages. In buck mode, the output current of

the buck-boost converter is limited only by the inductor current reaching the current limit threshold. However, in boost mode, especially at large step-up ratios, the  $V_{SYS}$  backup current capability can also be limited by the total resistive losses in the power stage. These include switch resistances, inductor resistance and PCB trace resistance. Use of an inductor with high DC resistance can degrade the  $V_{SYS}$  backup current capability from that shown in the Typical Performance Characteristics section of this data sheet. As a guideline, in most applications the inductor DC resistance should be significantly smaller than the typical power switch resistance of  $60\text{m}\Omega$ .

The minimum inductor value must guarantee that the worst-case average  $V_{CAP}$  current plus half the ripple current doesn't reach the  $V_{CAP}$  current limit threshold. For the fixed switching frequency of  $1.2\text{MHz}$  the recommended typical inductor value is  $1.5\mu\text{H}$ .

Different inductor core materials and styles have an impact on the size and price of an inductor at any given current rating. Shielded construction is generally preferred as it minimizes the chances of interference with other circuitry. The choice of inductor style depends upon the price, sizing, and EMI requirements of a particular application. Table 1 provides a small sampling of inductors that are well suited to many LTC3110 applications.

**Table 1. Recommended Inductors**

VENDOR	PART/STYLE
<b>Coilcraft</b> www.coilcraft.com	XAL50xx Series (XAL5030-222ME_) XAL60xx Series (XAL6030-222ME_) EPL7040 Series (EPL7040-222ME_)
<b>Würth Elektronik</b> www.we-online.com	WE-HCI Series (744310150, 744314200) WE-LHMI Series (74437346018, 74437349022)
<b>Coiltronics www.</b> cooperindustries.com	DR73 Series (DR73-2R2-R) DRQ74 Series (DR74-2R2-R)
<b>Vishay</b> www.vishay.com	IHLP-2525 Series (IHLP-2525AH-01, IHLP-2525CZ-01) IHLP-2020 Series (IHLP-2020CZ-A1)
<b>Sumida</b> www.sumida.com	CDEP6D31ME Series (CDEP6D31MENP- 2R2MC)
<b>Murata</b> www.murata.com	LQH66S Series (LQH66SN1R5M03)
<b>Taiyo Yuden</b> www.t-yuden.com	NR6012T2R5NE NR8040T2R0N
<b>TDK</b> www.component.tdk.com	CLF Series

## APPLICATIONS INFORMATION

### V<sub>sys</sub> Capacitor Selection

A low ESR capacitor should be utilized at the V<sub>sys</sub> pin in order to minimize V<sub>sys</sub> backup voltage ripple. Multilayer ceramic capacitors are an excellent option as they have low ESR and are available in small footprints. The capacitor value should be chosen large enough to reduce the V<sub>sys</sub> voltage ripple to acceptable levels. Neglecting the capacitor ESR and ESL, the peak-to-peak V<sub>sys</sub> voltage ripple can be calculated by the following formulas, where C<sub>Vsys</sub> is the V<sub>sys</sub> capacitance and I<sub>LOAD</sub> is the V<sub>sys</sub> load current.

$$\Delta V_{P-P(BUCK)} = \frac{V_{SYS}}{8 \cdot (1.2\text{MHz})^2 \cdot L \cdot C_{V_{SYS}}} \left( \frac{V_{CAP} - V_{SYS}}{V_{CAP}} \right)$$

$$\Delta V_{P-P(BOOST)} = \frac{I_{LOAD}}{1.2\text{MHz} \cdot C_{V_{SYS}}} \left( \frac{V_{SYS} - V_{CAP}}{V_{SYS}} \right)$$

Given the V<sub>sys</sub> current is discontinuous in boost mode, the ripple in this mode will generally be much larger than the magnitude of the ripple in buck mode. In addition to V<sub>sys</sub> voltage ripple generated across the V<sub>sys</sub> capacitance, there is also V<sub>sys</sub> voltage ripple produced across the internal resistance of the V<sub>sys</sub> capacitor. The ESR-generated V<sub>sys</sub> voltage ripple is proportional to the series resistance of the V<sub>sys</sub> capacitor.

### Supercapacitor Selection and Additional Bypass

The LTC3110 is stable with a total C<sub>Vcap</sub> capacitance value greater than 2mF, or 4mF for each stacked capacitor. Supercapacitors are much larger physically than ceramic or tantalum capacitors, and therefore usually cannot be placed close to the charger. To minimize layout contribution to capacitor ESR, the trace width connecting the capacitors to each other and the IC should be as large as possible. The V<sub>MID</sub> pin trace is not as critical, as it only carries 300mA of average current. It is recommended that a local decoupling capacitor be placed from V<sub>cap</sub> to ground, and the capacitor should be placed as close to the IC as possible. Multilayer ceramic capacitors are an excellent choice for voltage decoupling as they have extremely low ESR and are available in small footprints. While a 10μF decoupling capacitor is sufficient for most applications, larger values may be used without limitation.

To minimize voltage ripple and ensure proper operation of the IC, a low ESR bypass capacitor with a value of 100nF and a second low ESR bypass capacitor of 10μF should be located as close to the V<sub>cap</sub> pin as possible. The traces connecting this capacitor to V<sub>cap</sub> and the ground plane should be made as short as possible. If using a single V<sub>sys</sub> capacitor where balancing is not required, a capacitor of at least 100nF must be connected between V<sub>MID</sub> and PGND.

### Recommended V<sub>cap</sub> and V<sub>sys</sub> Bypass Capacitors

The choice of capacitor technology is primarily dictated by a trade-off between cost, size and leakage current. Ceramic capacitors are often utilized in switching converter applications due to their small size, low ESR and low leakage currents. However, many ceramic capacitors designed for power applications experience significant loss in capacitance from their rated value with increased DC bias voltages. For example, it is not uncommon for a small surface mount ceramic capacitor to lose more than 50% of its rated capacitance when operated near its rated voltage. As a result, it is sometimes necessary to use a larger value capacitance or a capacitor with a higher voltage rating than required in order to actually realize the intended capacitance at the full operating voltage. To ensure that the intended capacitance is realized in the application circuit, be sure to consult the capacitor vendor's curve of capacitance versus DC bias voltage. The capacitors listed in Table 3 provide a sampling of small surface mount ceramic capacitors that are well suited to LTC3110 application circuits. All listed capacitors are either X5R or X7R dielectric in order to ensure that capacitance loss over temperature is minimized.

### Maximum Capacitor Voltage and Balancing

The service lifetime of a supercapacitor is determined by its rated voltage, rated temperature, rated lifetime, actual operating voltage, and operating temperature. To extend the life of a supercapacitor the operating voltage and temperature should be reduced from the maximum ratings. The websites for Illinois Capacitor<sup>1</sup> and Maxwell<sup>2</sup> provide the means to determine their capacitor lifetime.

<sup>1</sup><http://www.illinoiscapacitor.com/tech-center/life-calculators.aspx>

<sup>2</sup>[http://www.maxwell.com/products/ultracapacitors/docs/APPLICATIONNOTE1012839\\_1.PDF](http://www.maxwell.com/products/ultracapacitors/docs/APPLICATIONNOTE1012839_1.PDF)

## APPLICATIONS INFORMATION

Using the suggested derated voltage for each capacitor will improve lifetime. The LTC3110 will keep each capacitor voltage at  $V_{CAP}/2$  once  $V_{CAP}$  is higher than typically 2.2V. To prevent an overvoltage on one of the supercapacitors during charging, the  $V_{MID}$  voltage is continuously driven from the voltage balancing buffer output with typically 300mA of current capability.

The LTC3110 has minimal current draw from  $V_{CAP}$  at end of charge. Care should be taken to limit sources of current that may pull  $V_{CAP}$  above its programmed regulation value, as there is no way for the LTC3110 to maintain regulation.

### $V_{SYS}$ Voltage Programming

The  $V_{SYS}$  voltage is set via an external resistor divider connected to the FB pin as shown in Figure 6.

The resistor divider values determine the  $V_{SYS}$  backup voltage according to the following formula:

$$V_{SYS} = 0.6V \cdot \left( 1 + \frac{R_{TOP}}{R_{BOT}} \right) \quad (1)$$

The buck-boost converter utilizes voltage mode control and in addition to setting the  $V_{SYS}$  voltage, the value of  $R_{TOP}$  plays an integral role in the dynamics of the feedback loop. In general, a larger value for  $R_{TOP}$  will increase stability and reduce the speed of the transient response. A smaller value of  $R_{TOP}$  will reduce stability but increase the speed of the transient response. A good starting point is to choose  $R_{TOP} = 1M$  and then calculate the required value of  $R_{BOT}$  to set the desired  $V_{SYS}$  voltage according to Equation 1. If a large  $V_{SYS}$  capacitor is used, the bandwidth of the converter is reduced. In such cases  $R_{TOP}$  can be reduced to improve the transient response. If a large inductor or small  $V_{SYS}$  capacitor is utilized the loop will be less stable and the phase margin can be improved by increasing the value of  $R_{TOP}$ .

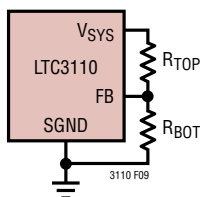


Figure 6. Setting the  $V_{SYS}$  Backup Voltage

### $V_{CAP}$ Voltage Programming

The  $V_{CAP}$  voltage is set via an external resistor divider connected to the  $FBV_{CAP}$  pin as shown in Figure 7.

The resistor divider values determine the maximum  $V_{CAP}$  voltage according to the following formula:

$$V_{CAP} = 1.095V \cdot \left( 1 + \frac{R_{TOP}}{R_{BOT}} \right)$$

Care should be taken to limit sources of current that may pull  $V_{CAP}$  above its programmed maximum value, as there is no way for the LTC3110 to maintain  $V_{CAP}$  regulation in charger mode (see also Figure 15, Overvoltage Error Signal Provided to the  $\mu C$ ).

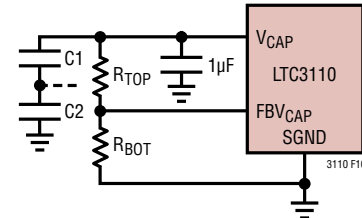


Figure 7.  $V_{CAP}$  Voltage Programming

### $V_{MID}$ Charge Balancer Output

This pin should be tied to the junction of two series supercapacitors. A push/pull buffer output forces the  $V_{MID}$  pin to half of the voltage of the  $V_{CAP}$  pin. Generally capacitors with equal value of at least 1nF should be connected from  $V_{CAP}$  to  $V_{MID}$  and from  $V_{MID}$  to PGND if the output is unused, e.g., for applications with a single supercapacitor or batteries.

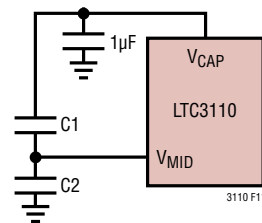


Figure 8.  $V_{MID}$  Charge Balancer Output

## APPLICATIONS INFORMATION

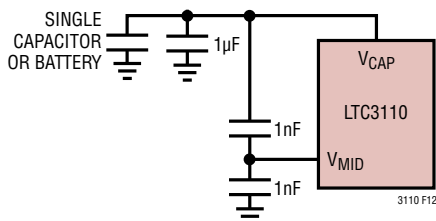


Figure 9. Charge Balancer Unused with Single Capacitor

### DIR Backup Supervisor Threshold Voltage Programming

The backup supervisor threshold voltage is set via an external resistor divider connected to the DIR pin as shown in Figure 10.

The resistor divider values determine the DIR supervisor threshold voltage according to the following formula:

$$V_{TH(DIR\_RISING)} = 1.095V \cdot \left( 1 + \frac{R_{TOP}}{R_{BOT}} \right)$$

$$V_{TH(DIR\_FALLING)} = 1.045V \cdot \left( 1 + \frac{R_{TOP}}{R_{BOT}} \right)$$

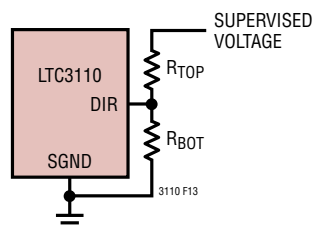


Figure 10. Setting the DIR Back-Up Supervisor Threshold Voltage

### Programming Backup Voltage and DIR Threshold Voltage with Improved Accuracy

In applications with the DIR pin voltage and the FB pin voltage divided down from the same  $V_{SYS}$  voltage, a single resistor divider string is reducing the effect of resistor tolerances and saves one resistor component:

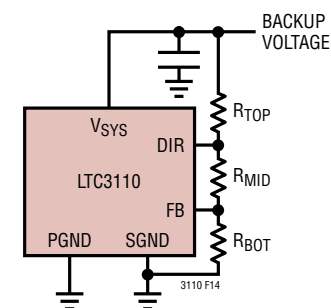


Figure 11. Voltage with Reduced Tolerances

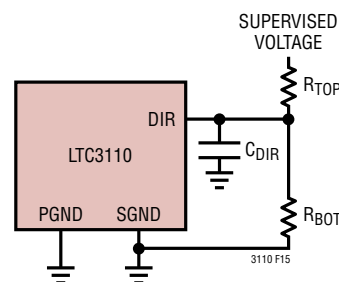


Figure 12. Filtering DIR voltage

$$V_{TH(DIR\_RISING)} = 1.095V \cdot \left( 1 + \frac{R_{TOP}}{R_{BOT} + R_{MID}} \right)$$

$$V_{TH(DIR\_FALLING)} = 1.045V \cdot \left( 1 + \frac{R_{TOP}}{R_{BOT} + R_{MID}} \right)$$

$$V_{SYS} = 0.6V \cdot \left( 1 + \frac{R_{TOP} + R_{MID}}{R_{BOT}} \right)$$

Note the direction supervisor threshold  $V_{TH(DIR\_RISING)}$  must be higher and have enough voltage difference to the backup voltage  $V_{SYS}$  to accommodate for the resistor tolerances, ripple voltage and voltage dipping from load current steps. If necessary an RC filter in front of the DIR pin may reduce the reaction speed of the supervisor, see Figure 12.

Pay attention to the requirement, if the DIR input supervises  $V_{SYS}$  as in Figure 11 or in the autonomous applications on page 36, the external  $V_{SYS}$  supply must be capable to deliver more than the maximum reverse current limit of 2A of the LTC3110, in order to reliably change into charge operation.

## APPLICATIONS INFORMATION

### $I_{V_{SYS}}$ Average Current Limit Programming for Charger Operation (DIR = High)

The  $V_{SYS}$  average current limit is set via an external resistor connected between the PROG pin and signal ground, SGND, as shown in Figure 13.

The resistor value determines the average current into  $V_{SYS}$  according to the following formula:

$$I_{V_{SYS}} = \frac{3k\Omega}{R_{PROG}}$$

For applications with a wide temperature range, the thermal coefficient of resistor  $R_{PROG}$  must be taken into account. If  $R_{PROG}$  is  $> 12.4k$ , additional  $R_{FLT}$  and  $C_{FLT}$  are required for filtering.

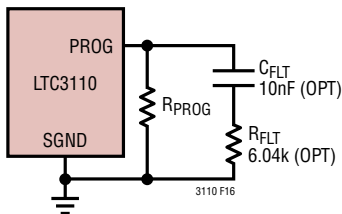


Figure 13. Setting the  $V_{SYS}$  Average Current Limit

### CMPIN Configuration as General Purpose Voltage Supervisor with Hysteresis

The resistor divider values, see Figure 14, determine rising and falling threshold  $V_{TH}$  according to the following formula:

$$V_{TH(RISING)} = 0.65V \cdot \left( 1 + \frac{R_{TOP}}{R_{BOT}} \right)$$

$$V_{TH(FALLING)} = 0.59V \cdot \left( 1 + \frac{R_{TOP}}{R_{BOT}} \right)$$

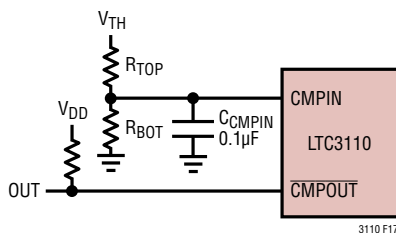


Figure 14. General Purpose Voltage Supervisor

If CMPIN is driven from a resistor divider or from any output with  $>200\Omega$  impedance, connect a  $0.1\mu F$  capacitor between CMPIN and GND for best performance, see figure 14).

### General Purpose Comparator Configuration as Redundant $V_{CAP}$ Supervisor for Overvoltage Failure Detection

Component failures interrupting the  $V_{CAP}$  voltage feedback ( $FBV_{CAP}$ ) can potentially cause an over voltage condition at  $V_{CAP}$  during charging. The general purpose comparator can be configured as the supervisor providing an overvoltage error signal to the microcontroller (see Figure 15).

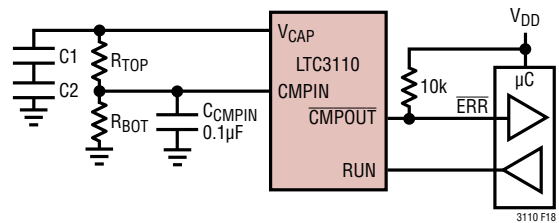


Figure 15. Overvoltage Error Signal Provided to the  $\mu C$

### $SV_{SYS}$ Filtering

In many noise critical applications it is useful to filter the signal supply pin,  $SV_{SYS}$ , with a small RC filter on the PCB, see Figure 16. Note, if the filter is added any further loads connected to the  $SV_{SYS}$  pin must be checked if they are small with respect to the resistor impedance and not creating undesired voltage drops at  $SV_{SYS}$ .

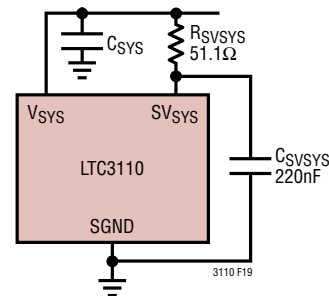


Figure 16.  $SV_{SYS}$  Filtering

### RUN, DIR, MODE, CMPIN Inputs Digitally Controlled

The RUN, DIR, MODE and CMPIN comparator inputs can be driven digitally from an external microcontroller.

## APPLICATIONS INFORMATION

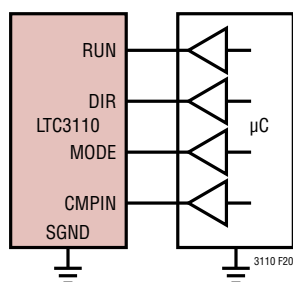


Figure 17. Inputs RUN, DIR, MODE, CMPIN Driven from a Microcontroller

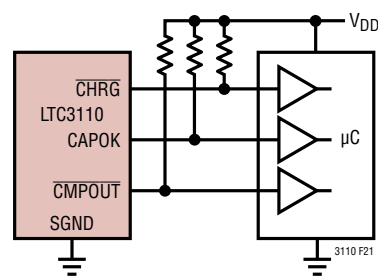


Figure 18. Outputs  $\overline{\text{CHRG}}$ ,  $\overline{\text{CAPOK}}$ ,  $\overline{\text{CMPOUT}}$  Interfacing to  $\mu\text{C}$

## Open-Collector Outputs

$\overline{\text{CHRG}}$ ,  $\overline{\text{CAPOK}}$  and  $\overline{\text{CMPOUT}}$  open-collector outputs can be connected together with other external signals in wired OR configuration and pull-up resistors for level shifting when interfacing into  $\mu\text{C}$  Inputs.

The open-collector outputs can also be used to drive small loads up to 20mA, e.g., miniature lamps or LEDs.

Table 2: Recommended Supercapacitors and Ultracapacitors

VENDOR	VALUE (F)	ESR (m $\Omega$ )	VOLTAGE (V)	TEMPERATURE RANGE (°C)	SIZE (mm) W x L x H
<b>Murata Electronics</b>					
DMF3R5R5L334M3DTA0	0.33	60	4.2 (5.5 Peak)	-30 to 70	14.0 x 21.0 x 2.5
DMF3Z5R5H474M3DTA0	0.47	40	4.2 (5.5 Peak)	-30 to 70	14.0 x 21.0 x 3.2
<b>Tecate</b>					
TPL-10/10X30F	10	85	2.7	-40 to 65	10.0 x 10.0 x 30.0
TPL-25/16X26F	25	42	2.7	-40 to 65	16.0 x 16.0 x 26.0
TPL-100/22X45F	100	15	2.7	-40 to 65	22.0 x 22.0 x 45.0
TPL-25/16X26F	25	42	2.3	-40 to 85	16.0 x 16.0 x 26.0
TPL-100/22X45F	100	15	2.3	-40 to 85	22.0 x 22.0 x 45.0
TPLS-400/35X60F	400	12	2.7	-40 to 65	35.0 x 35.0 x 60.0
<b>AVX</b>					
BZ015A503Z_B	0.05	160	5.5	-20 to 70	28.0 x 17.0 x 4.1
BZ015A104Z_B	0.1	80	5.5	-20 to 70	28.0 x 17.0 x 6.7
<b>CAP-XX</b>					
HS206F	0.6	70	5.5	-40 to 85	39.0 x 17.0 x 2.5
HS230	1.2	50	5.5	-40 to 85	39.0 x 17.0 x 3.8
<b>Cooper Bussmann</b>					
A1635-2R5475-R	4.7	25	2.5	-25 to 70	16.0 x 16.0 x 35.0
M1325-2R5905-R	9	20	2.5	-40 to 60	13.0 x 13.0 x 26.0
HB1625-2R5256-R	25	36	2.5	-25 to 70	16.0 x 16.0 x 25.0
HV1860-2R7107-R	100	10	2.7	-40 to 65	18.0 x 18.0 x 60.0
<b>Illinois Capacitor</b>					
506DER2R5SLZ	50	30	2.5	-40 to 70	18.0 x 18.0 x 60.0
357DER2R5SEZ	100	12	2.5	-40 to 70	35.0 x 35.0 x 60.0
<b>Maxwell</b>					
BCAP0005	5	170	2.7	-40 to 65	10.0 x 10.0 x 20.0
BCAP0100T01	100	15	2.7	-40 to 65	22.0 x 22.0 x 45.0
<b>Taiyo Yuden</b>					
PAS2026FR2R5504	0.5	55	2.5	-25 to 60	26.0 x 20.0 x 0.9
PAS0815LS2R5105	1	70	2.5	-25 to 70	8.0 x 8.0 x 15.0
LIC2540R3R8207	200	50	2.2 to 3.8	-25 to 70	25.0 x 25.0 x 40.0

## APPLICATIONS INFORMATION

**Table 3. Representative Bypass and  $V_{SYS}$  Capacitors**

PART NUMBER	VALUE ( $\mu$ F)	VOLTAGE (V)	FOOTPRINT
<b>AVX</b>			
12066D106K	10	6.3	0603
12066D226K	22	6.3	0805
12066D476K	47	6.3	0805
<b>Kemet</b>			
C0603C106M9PACTU	10	6.3	0603
C0805C226M9PACTU	22	6.3	0805
C0805C476M9PACTU	47	6.3	0805
<b>Murata</b>			
GRM188D70J106MA73	10	6.3	0603
GRM219B30J226ME47	22	6.3	0805
GRM21BB30J476ME15	47	6.3	0805
<b>TDK</b>			
C1608X7S0J106M080AC	10	6.3	0603
C2012X5R0J226M085AB	22	6.3	0805
C2012X5R0J476M125AC	47	6.3	0805
<b>Taiyo Yuden</b>			
JMK107BJ106MA	10	6.3	0603
JMK212ABJ226MD	22	6.3	0805
JMK212BBJ476MG	47	6.3	0805

### PCB Layout Considerations

The LTC3110 switches large currents at high frequencies. Special care should be given to the PCB layout to ensure stable, noise-free operation. Figures 19 and 20 depict the recommended PCB layout to be utilized for the LTC3110, if a 2-layer PCB is being used. A 4-layer PCB layout is recommended for thermal and noise reasons. A few key guidelines follow:

1. All circulating high current paths should be kept as short as possible. This can be accomplished keeping the routes to the components in Figures 19 and 20 as short and as wide as possible. Capacitor ground connections should be connect by vias down to the ground plane in the shortest route possible. The bypass capacitors  $C_{SYS}$  and  $C_{CAP}$  should be placed as close to the IC as possible and should have the shortest possible path to ground.
2. The components shown and their connections should all be placed over a complete ground plane.
3. Use of vias in the die attach pad will enhance the thermal environment of the charger, especially if the vias extend to a ground plane region on the exposed bottom surface of the PCB.
4. Keep the connections to the FB, PROG, DIR, CMPIN and  $FBV_{CAP}$  pins as short as possible and away from the switch pin connections.



# APPLICATIONS INFORMATION

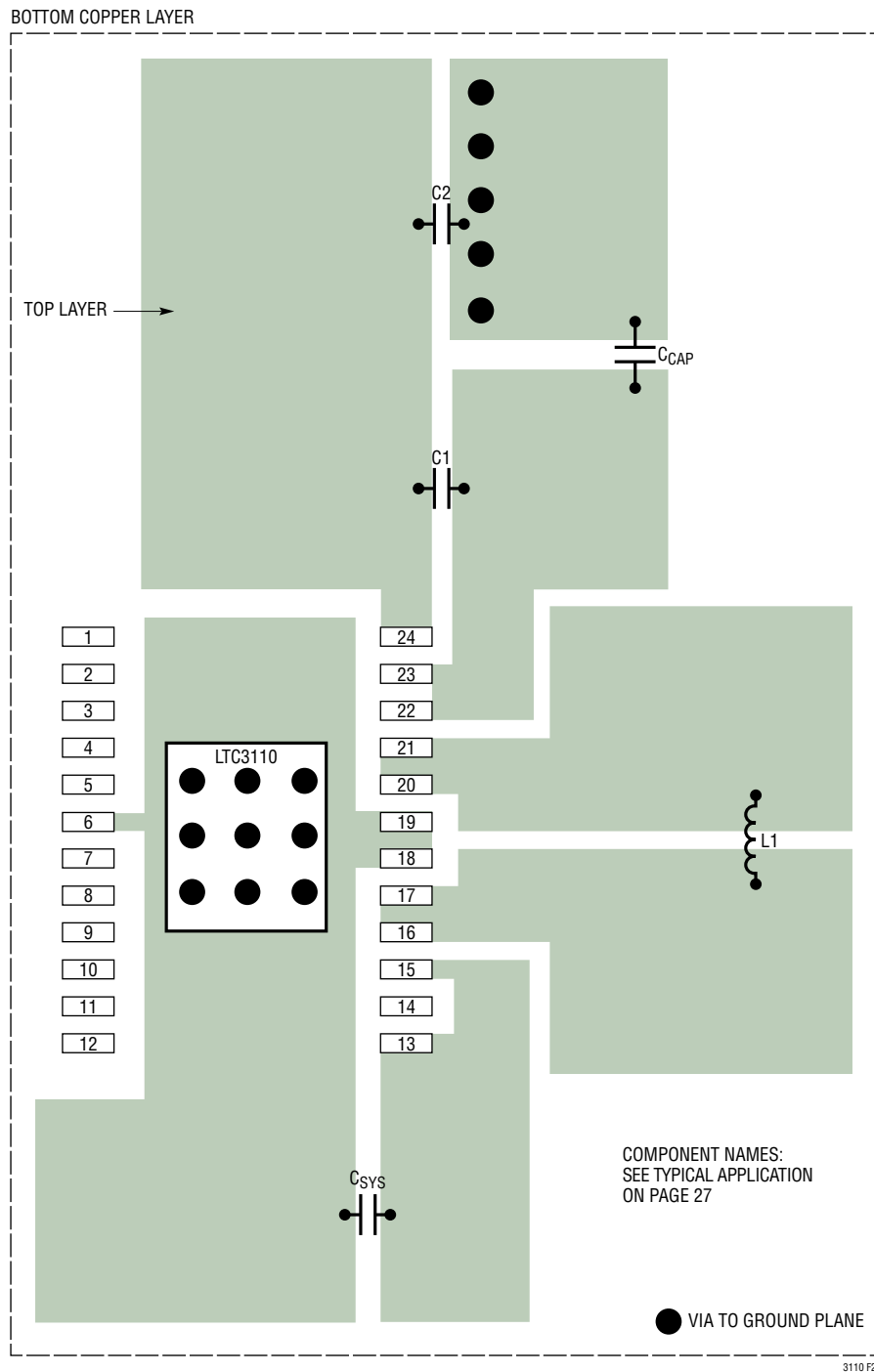


Figure 19. PCB Component Placement of the TSSOP Package

APPLICATIONS INFORMATION

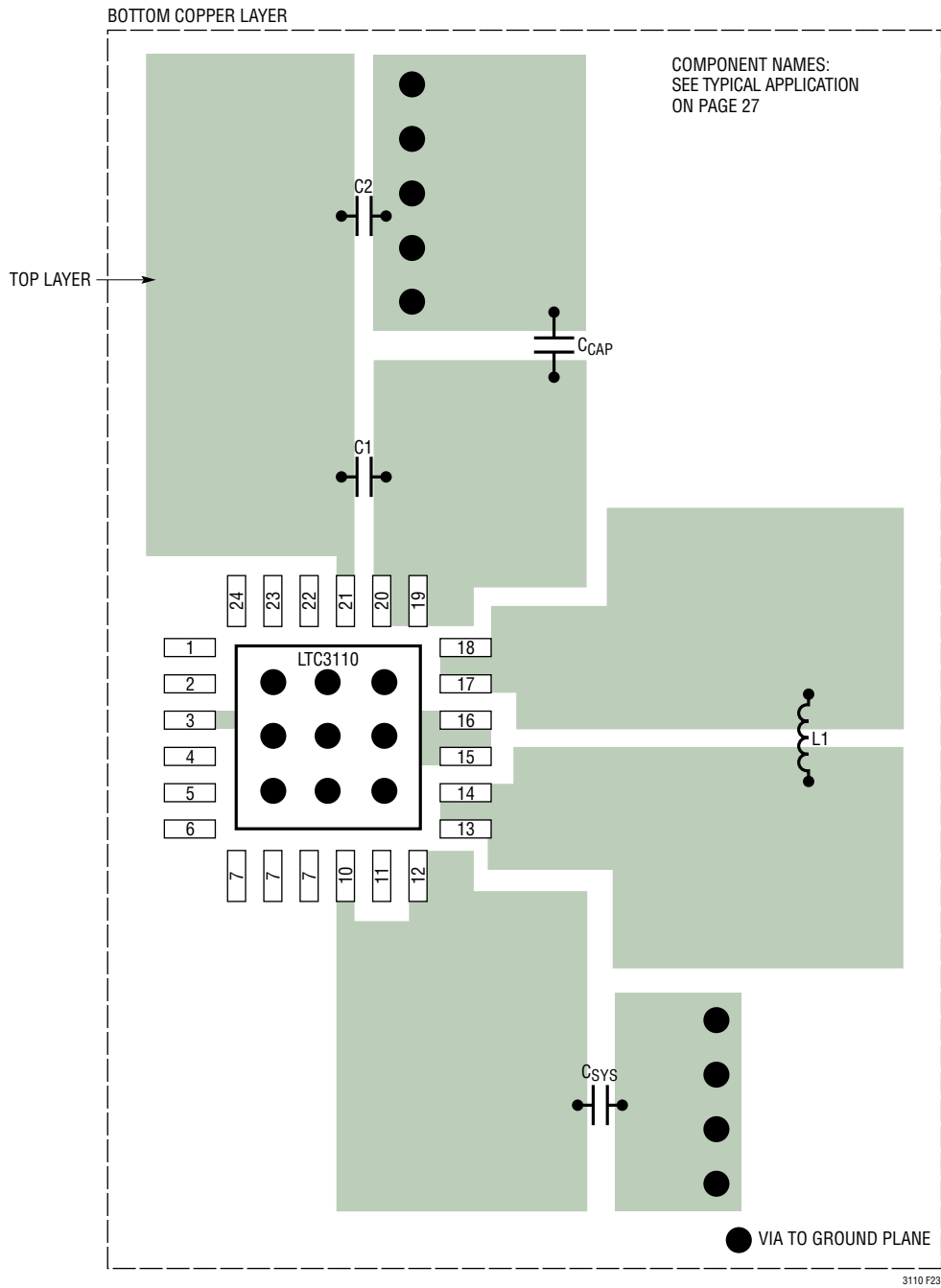
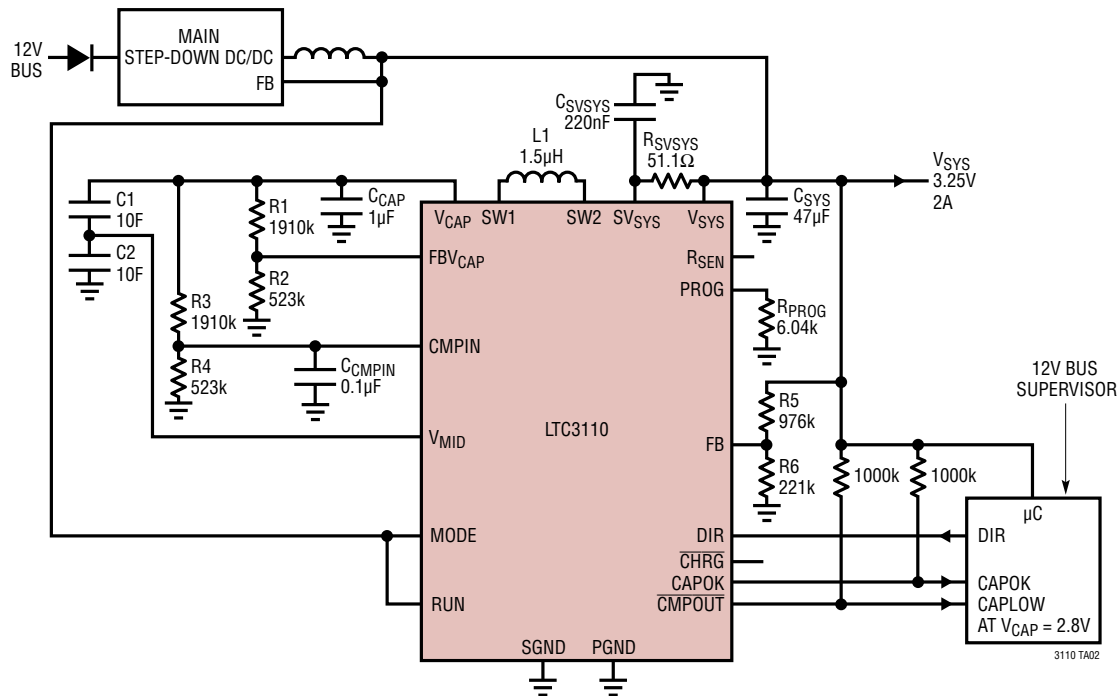


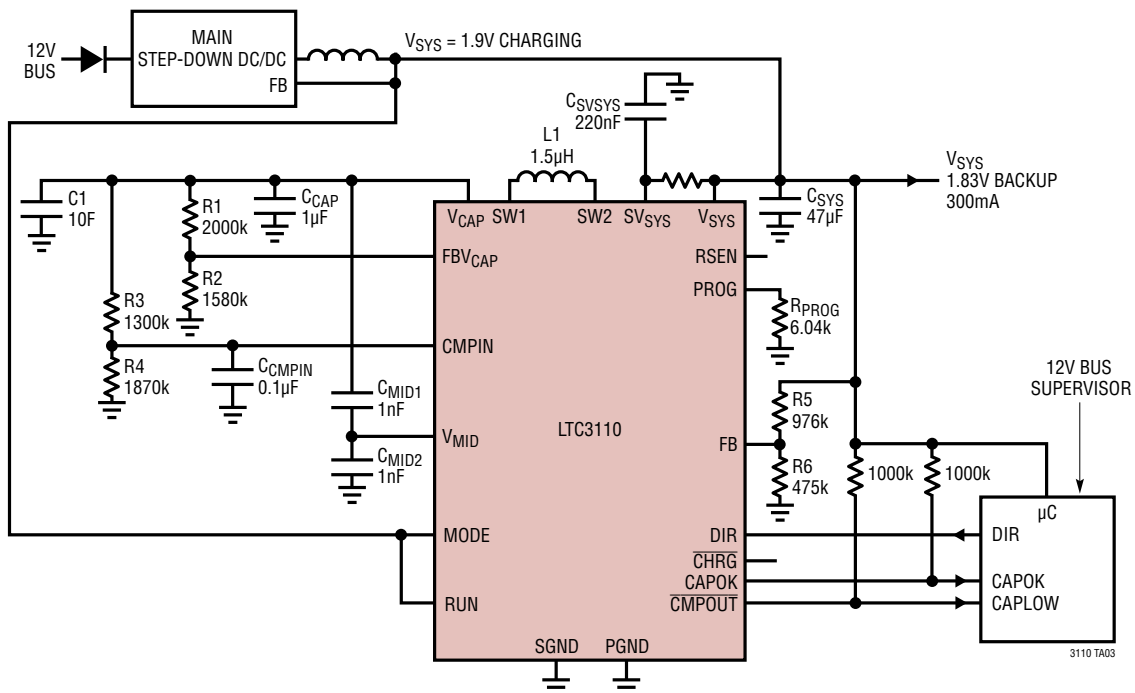
Figure 20. PCB Component Placement of the QFN Package

# TYPICAL APPLICATIONS

**3.3V/2A Output from Stack of Supercapacitors Backup/Recharge Application with Active Voltage Balancing**

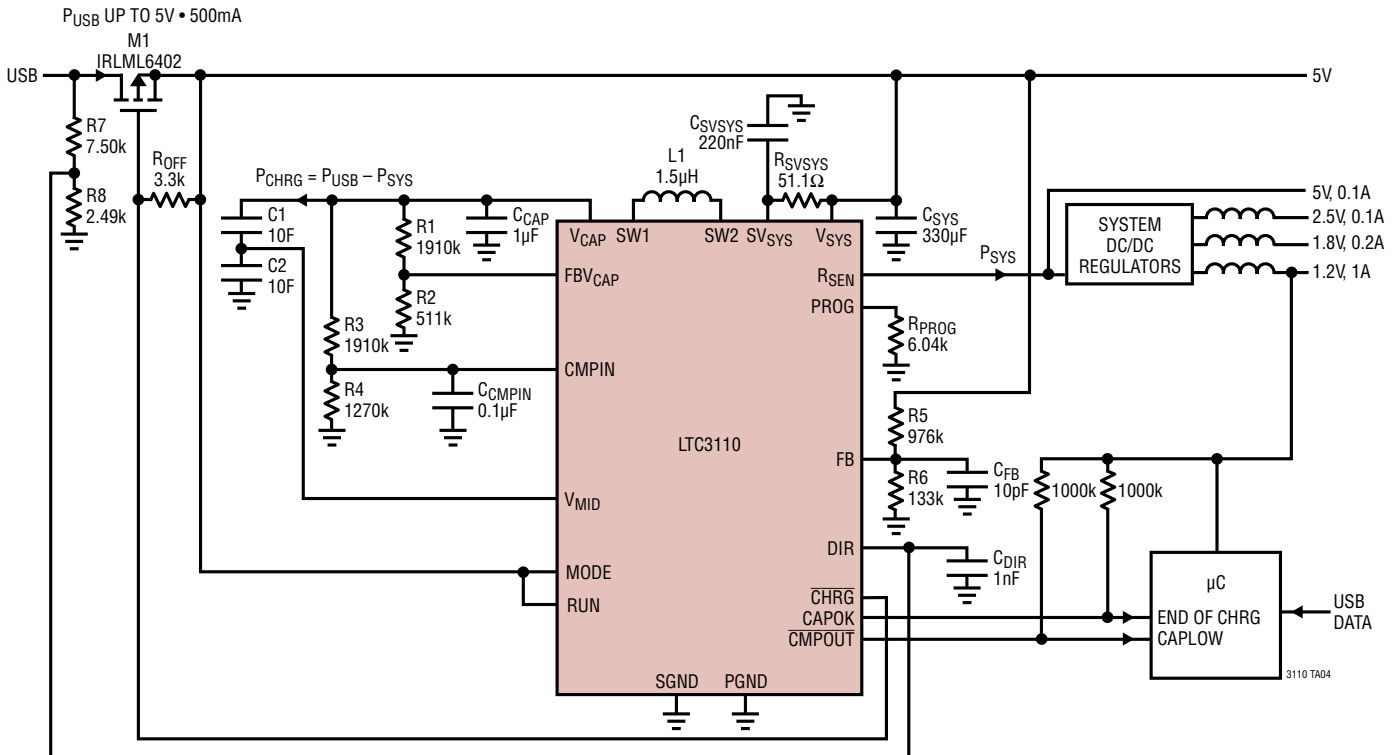


**1.8V/300mA Output from Single Capacitor Discharged from 2.5V to 1V and with Reserve Available Down to 0.3V**

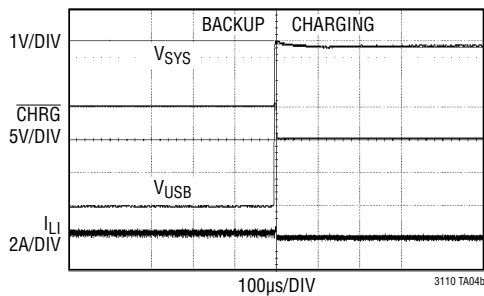


## TYPICAL APPLICATIONS

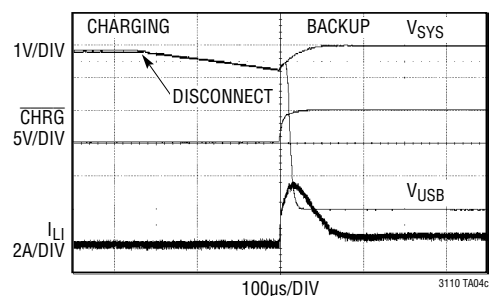
500mA USB Charge/Backup Application with Variable Charging Power,  $P_{CHRG}$ , Depending on System Load



USB Connect Transition

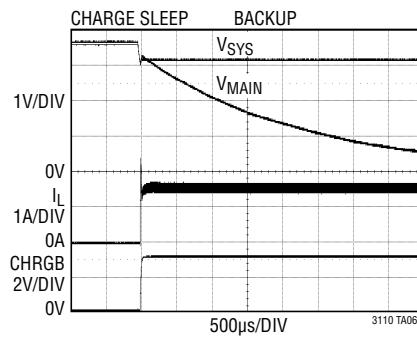
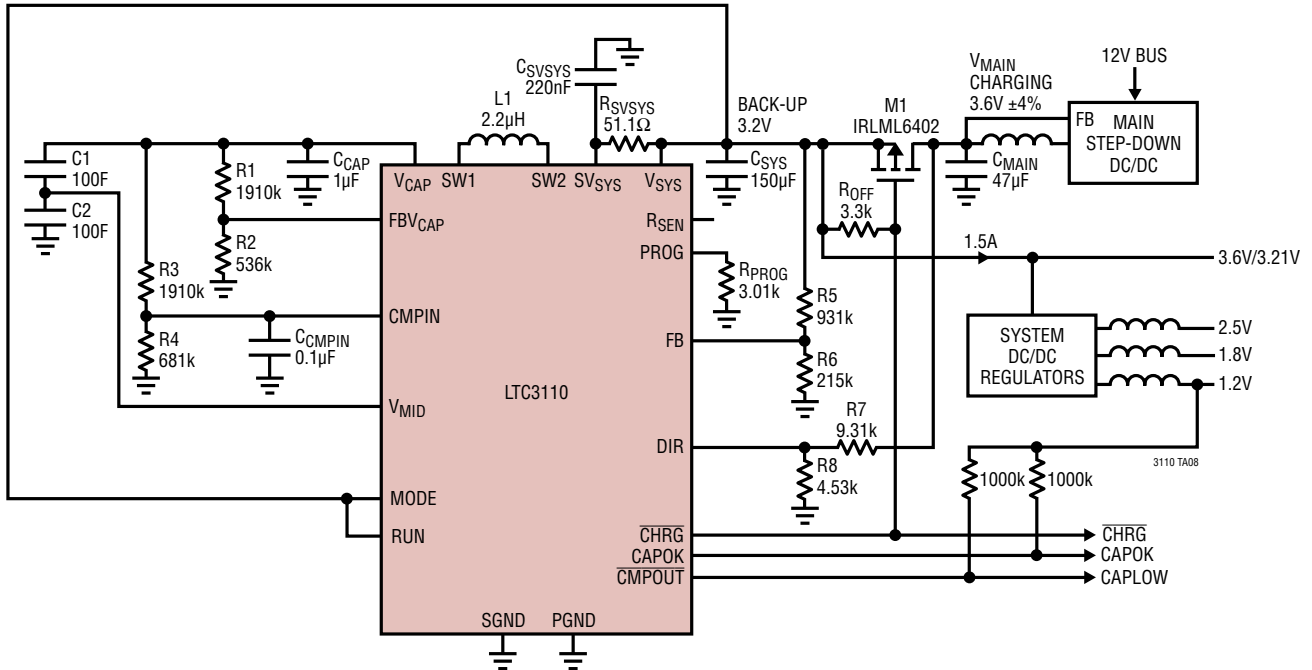


USB Disconnect Transition



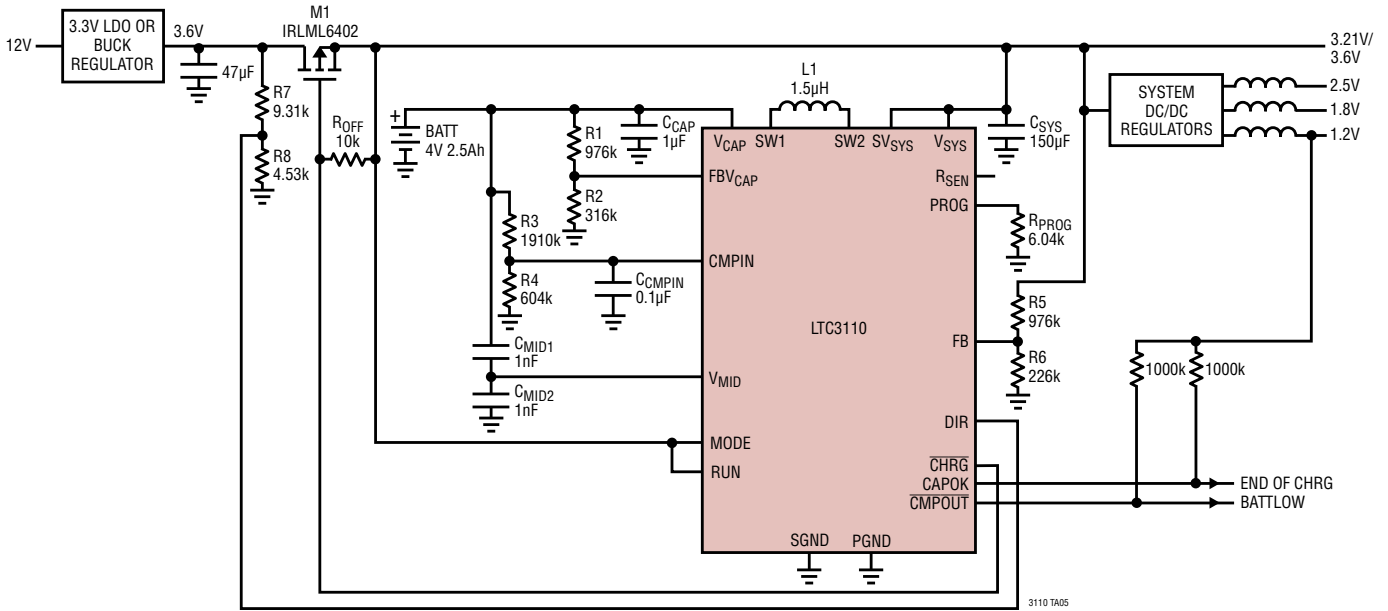
# TYPICAL APPLICATIONS

## Autonomous Backup and Recharge Application with Input Isolation Switch



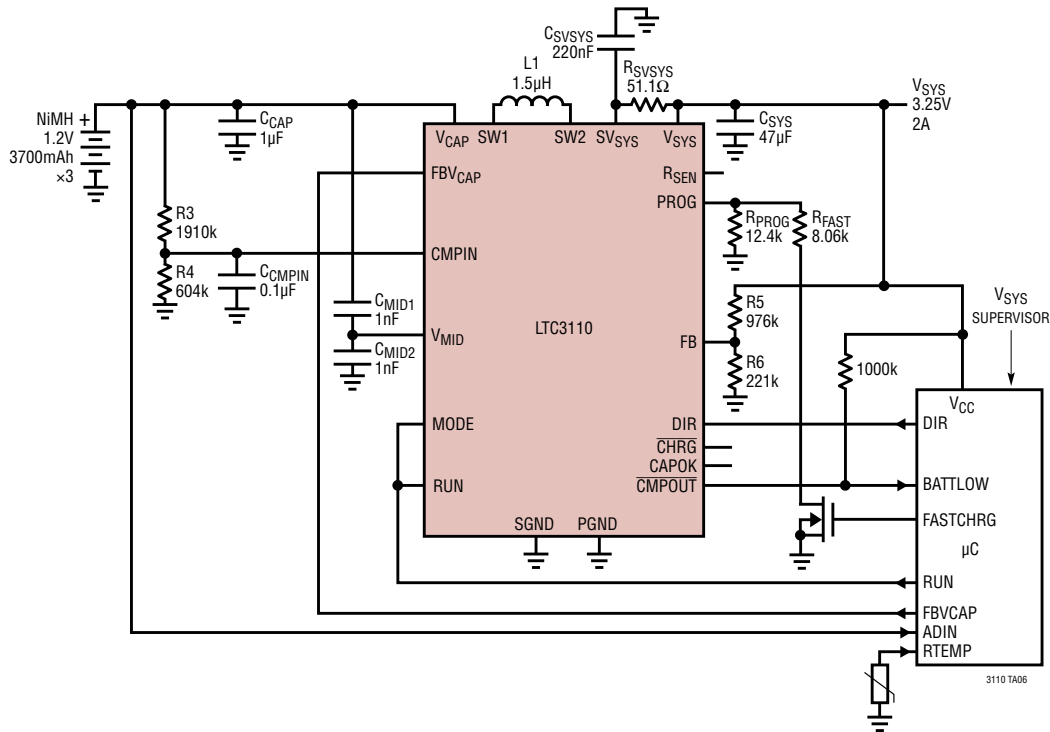
## TYPICAL APPLICATIONS

### Lead Acid Battery Backup/Recharge Application



# TYPICAL APPLICATIONS

## NiMH Battery Backup/Recharge Application

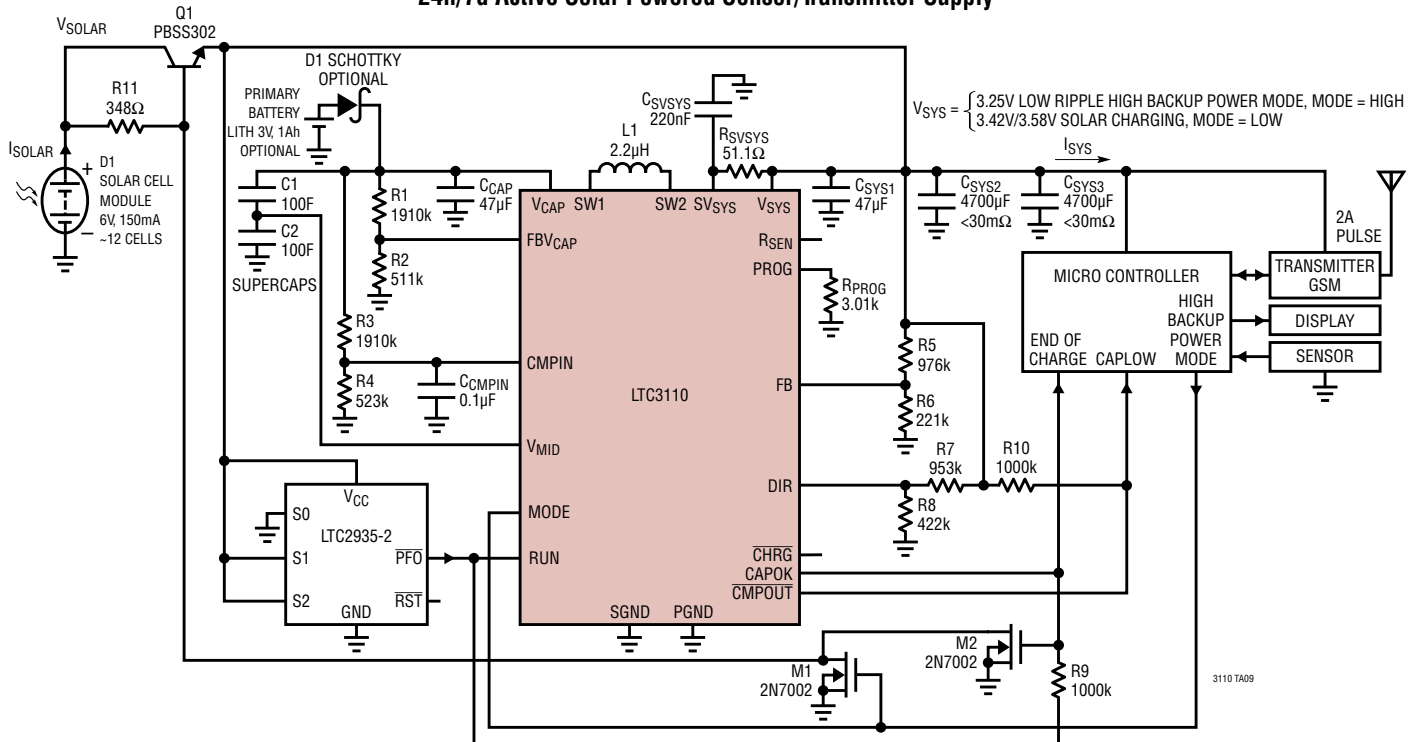


NOTE ON DIGITAL CONTROL SIGNALS IN NiMH BACKUP/RECHARGE APPLICATION:  
 CHARGING IS INITIATED BY PULLING DIR = HIGH AND FBV<sub>CAP</sub> = LOW.  
 CHARGING IS TERMINATED BY PULLING DIR = HIGH AND FBV<sub>CAP</sub> = HIGH (FBV<sub>CAP</sub> MUST BE ≥ 1.2V).  
 SYSTEM BACK-UP IS INITIATED BY FORCING FBV<sub>CAP</sub> = LOW, WAITING 5µs, THEN FORCING DIR = LOW.

GENERAL SAFETY NOTE: CHARGING MUST BE TERMINATED IF THE BATTERY VOLTAGE OR CHARGE TIME HAVE REACHED THEIR MAXIMUM VALUES OR IF THE BATTERY TEMPERATURE IS ABOVE OR BELOW THE SAFE OPERATING REGION OF THE BATTERY, SEE DATA SHEET OF THE BATTERY.  
 THE THERMISTOR, USED FOR MEASURING THE TEMPERATURE, MUST HAVE GOOD THERMAL CONNECTION TO THE BATTERY PACK.

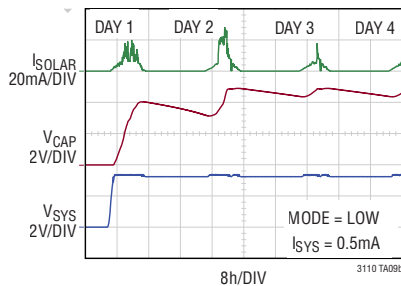
## TYPICAL APPLICATIONS

### 24h/7d Active Solar Powered Sensor/Transmitter Supply

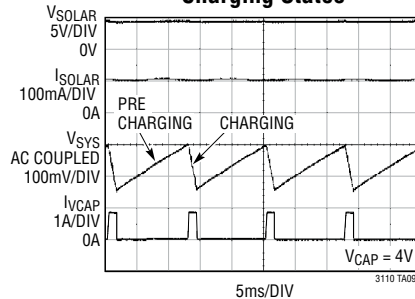


$$V_{SYS} = \begin{cases} 3.25V \text{ LOW RIPPLE HIGH BACKUP POWER MODE, MODE = HIGH} \\ 3.42V/3.58V \text{ SOLAR CHARGING, MODE = LOW} \end{cases}$$

#### Charging with Solar Current and 24/7 Backup



#### Charging States



#### CHARGING WITH SOLAR CURRENT AND 24/7 BACKUP:

IF DAYLIGHT IS PRESENT, THE SUPERCAPACITORS ARE CHARGED UP WITH THE OUTPUT CURRENT OF THE SOLAR CELLS. WHEN DAYLIGHT IS NOT PRESENT, THE SUPERCAPS PARTIALLY DISCHARGE AND PROVIDE THE BACKUP POWER TO MAINTAIN  $V_{SYS}$ .

HIGH BACKUP POWER MODE (NO WAVEFORM): IF  $MODE = HIGH$  AND WITH THE SUPERCAPACITORS CHARGED, THE APPLICATION CAN PROVIDE THE  $V_{SYS}$  BACKUP VOLTAGE WITH LOW RIPPLE AND FULL OUTPUT CURRENT CAPABILITIES.  $MODE = HIGH$  STOPS FURTHER CHARGING.

#### CHARGING STATES:

IF  $MODE = LOW$ : THE  $V_{SYS}$  VOLTAGE IS FED WITH CURRENT FROM THE SOLAR MODULE OR IS REGULATED FROM THE LTC3110 IN BURST MODE IF SUNLIGHT IS MISSING. IF SUNLIGHT IS PRESENT,  $V_{SYS}$  IS REGULATED WITH A TWO POINT VOLTAGE REGULATION DEFINED BY  $DIR$  RISING AND  $DIR$  FALLING THRESHOLDS.

THE APPLICATION HAS THREE STATES OF OPERATION:

1.  $C_{SYS}$  PRE-CHARGING STATE: THE SOLAR PANEL OUTPUT CURRENT PRE-CHARGES THE CAPACITOR  $C_{SYS}$  UNTIL THE  $DIR$  VOLTAGE RISES ABOVE THE  $DIR$  RISING THRESHOLD AND THE SUPERCAPACITOR CHARGING STATE IS ENTERED.
2. SUPERCAPACITOR CHARGING STATE: THE LTC3110 CHARGES THE SUPERCAPACITORS BY DRAWING CURRENT FROM CAPACITOR  $C_{SYS}$  UNTIL THE  $V_{SYS}$  VOLTAGE FALLS BELOW THE  $DIR$  FALLING THRESHOLD AND THE  $V_{SYS}$  PRE-CHARGING STATE IS RE-ENTERED. THE LTC3110 TOGGLES BETWEEN THE PRE-CHARGING STATE AND THE CHARGING STATE UNTIL  $FBV_{CAP}$  IS ABOVE THE  $FBV_{CAP}$  RISING THRESHOLD AND THE CHARGE SLEEP STATE IS ENTERED.

3. CHARGE SLEEP STATE (NO WAVEFORM):  $V_{CAP}$  IS FULLY CHARGED AND  $FBV_{CAP}$  IS ABOVE THE  $FBV_{CAP}$  FALLING THRESHOLD WHILE THE  $V_{SYS}$  VOLTAGE IS REGULATED WITH LTC3110'S BURST MODE BACKUP OPERATION. IN THE CHARGE SLEEP STATE, THE SOLAR MODULE IS ISOLATED FROM  $V_{SYS}$ .

#### STARTUP WITH DISCHARGED SUPERCAPS:

THE  $V_{SYS}$  VOLTAGE IS MONITORED WITH THE LTC2935-2 SUPERVISOR ENABLING THE LTC3110 ONLY AT A VOLTAGE ABOVE 2.7V.

IF POWERED FROM HIGH IMPEDANCE SOURCES (E. G. SOLAR CELLS),  $V_{SYS}$  MUST BE INITIALLY HIGH ENOUGH TO SKIP THE SOFT START FUNCTION OF THE LTC3110, SEE SOFT START (BACKUP MODE) IN THE OPERATION SECTION.

**NOTES:** THE REQUIRED PANEL SIZE AND THE NUMBER OF SOLAR CELLS IN SERIES OR IN PARALLEL STRONGLY DEPENDS ON THE LOCAL SUNLIGHT CONDITIONS.  $V_{SOLAR}$  MUST BE ONE  $V_{BE}$  HIGHER THAN  $V_{SYS}$  ( $3.58V + 0.7V = 4.3V$ ) IN THE LOWEST LIGHT CONDITION TO DELIVER SOLAR CURRENT.

TO PREVENT OVERVOLTAGING OF  $V_{SYS}$ , THE  $I_{V_{SYS}}$  AVERAGE CURRENT LIMIT MUST BE AT LEAST FOUR TIMES LARGER THAN THE MAXIMUM SOLAR CURRENT ( $I_{V_{SYS\_PROG}} > 4 \times I_{SOLAR\_MAX}$ ). ALTERNATIVELY, OUTPUT  $CHRG$  CAN BE ADDITIONALLY CONNECTED TO THE BASE OF Q1 TO ISOLATE THE SOLAR PANEL DURING CHARGING.

THE ABSOLUTE MAXIMUM OF  $V_{SOLAR}$  IS DEFINED FROM THE  $V_{CEO}$  VALUE OF Q1 (E.G. 20V) WHICH ALLOWS THE CONNECTION OF MODULES WITH OPEN CIRCUIT VOLTAGES OF  $V_{OC} > 5.25V$ . OPTIONALLY A PRIMARY BATTERY CAN BE ADDED AS RESERVE TO COVER POOR LIGHT CONDITIONS.

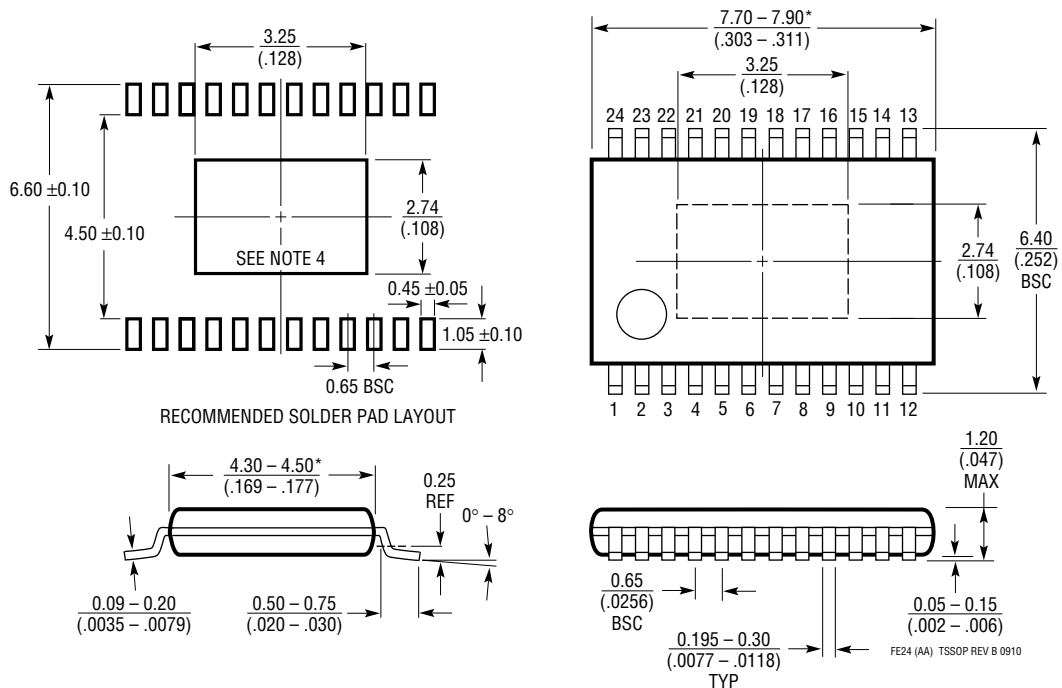
**EXAMPLE SOLAR MODULE MANUFACTURERS:**  
SHARP, PANASONIC, POWERFILM



# PACKAGE DESCRIPTION

Please refer to <http://www.linear.com/product/LTC3110#packaging> for the most recent package drawings.

**FE Package**  
**24-Lead Plastic TSSOP (4.4mm)**  
 (Reference LTC DWG # 05-08-1771 Rev B)  
**Exposed Pad Variation AA**

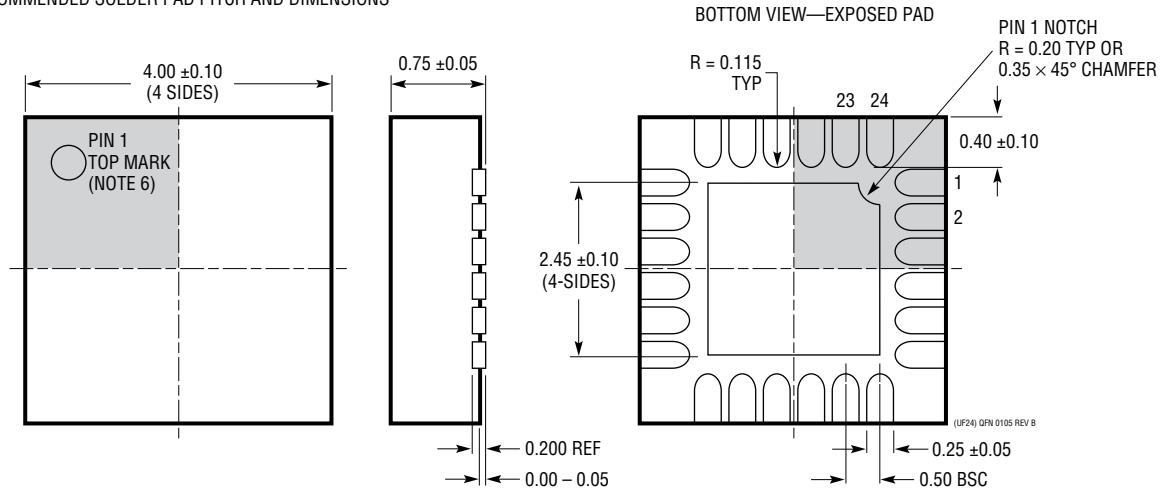
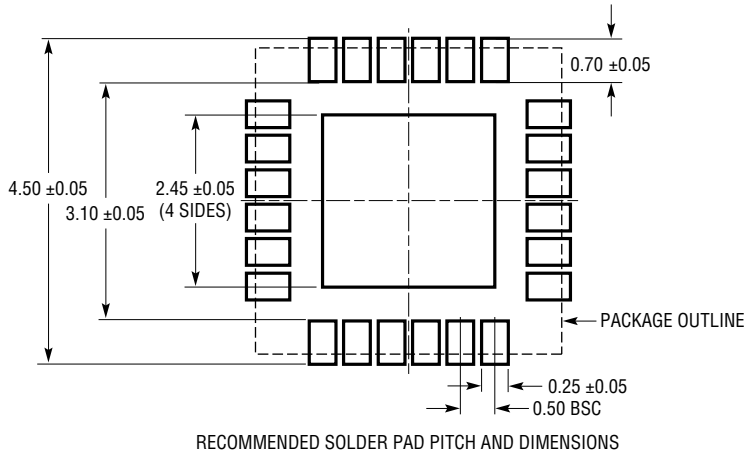


- NOTE:
1. CONTROLLING DIMENSION: MILLIMETERS
  2. DIMENSIONS ARE IN  $\frac{\text{MILLIMETERS}}{\text{(INCHES)}}$
  3. DRAWING NOT TO SCALE
  4. RECOMMENDED MINIMUM PCB METAL SIZE FOR EXPOSED PAD ATTACHMENT
- \*DIMENSIONS DO NOT INCLUDE MOLD FLASH. MOLD FLASH SHALL NOT EXCEED 0.150mm (.006") PER SIDE

## PACKAGE DESCRIPTION

Please refer to <http://www.linear.com/product/LTC3110#packaging> for the most recent package drawings.

### UF Package 24-Lead Plastic QFN (4mm × 4mm) (Reference LTC DWG # 05-08-1697 Rev B)



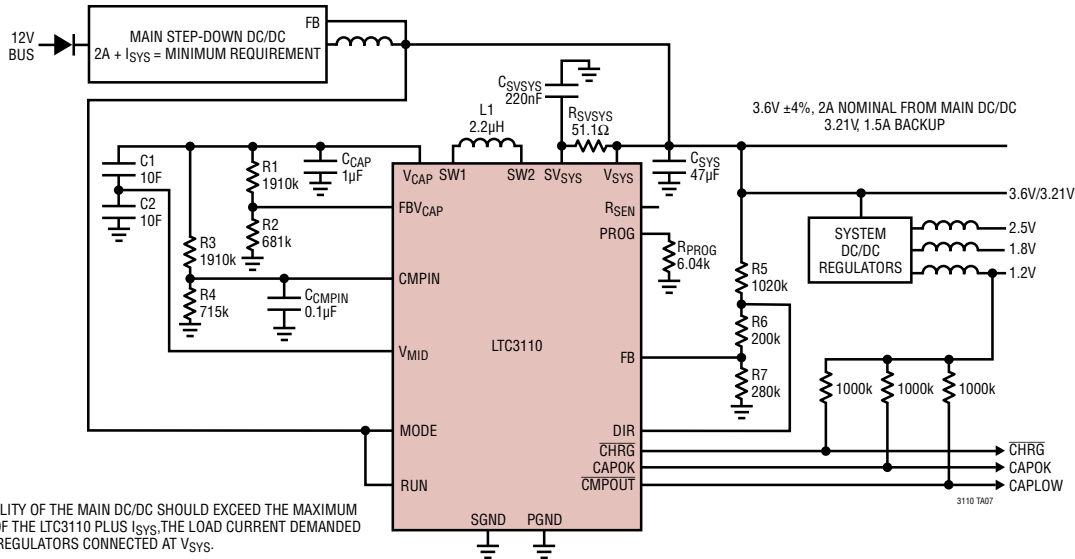
- NOTE:
1. DRAWING PROPOSED TO BE MADE A JEDEC PACKAGE OUTLINE MO-220 VARIATION (WGGD-X)—TO BE APPROVED
  2. DRAWING NOT TO SCALE
  3. ALL DIMENSIONS ARE IN MILLIMETERS
  4. DIMENSIONS OF EXPOSED PAD ON BOTTOM OF PACKAGE DO NOT INCLUDE MOLD FLASH. MOLD FLASH, IF PRESENT, SHALL NOT EXCEED 0.15mm ON ANY SIDE, IF PRESENT
  5. EXPOSED PAD SHALL BE SOLDER PLATED
  6. SHADED AREA IS ONLY A REFERENCE FOR PIN 1 LOCATION ON THE TOP AND BOTTOM OF PACKAGE

## REVISION HISTORY

REV	DATE	DESCRIPTION	PAGE NUMBER
A	03/16	Add H-grade option.	2, 4
		Clarified conditions and Note 9 for Input Current Limit.	4
		Changed axis labels $V_{MID}$ Buffer Current, Backup Time, Charge Balancer curves.	8, 9
		Enhanced 1.8V/300mA output circuit.	27
B	11/16	Changed reference page number in Preventing $V_{CAP}$ Overcharge Failure section	15

## TYPICAL APPLICATION

### Autonomous Backup and Recharge Application (3.6V Nominal, 3.2V Backup Voltage)



## RELATED PARTS

PART NUMBER	DESCRIPTION	COMMENTS
<a href="#">LTC4040</a>	2.5A Battery Backup Power Manager	Step-Up Backup Supply and Step-Down Battery Charger, 6.5A Switches for 2.5A, Automatic Seamless Switchover to Backup Mode Backup from 3.2V Battery
<a href="#">LTC3226</a>	2-Cell Supercapacitor Charger with Backup PowerPath™ Controller	1×/2× Multimode Charge Pump Supercapacitor Charger with Automatic Cell Balancing. Internal 2A LDO Backup Supply (CPO to $V_{OUT}$ ). Automatic Main/Backup Switchover, 3mm × 3mm QFN-16 Package
<a href="#">LTC3625/LTC3625-1</a>	1A High Efficiency 2-Cell Supercapacitor Charger with Automatic Cell Balancing	High Efficiency Step-Up/Step-Down Charging of Two Series Supercapacitors, Automatic Cell Balancing. Programmable Charging Current Up to 500mA (Single Inductor), 1A (Dual Inductor), 3mm × 4mm DFN-12 Package
<a href="#">LTC3128</a>	3A Monolithic Buck-Boost Supercapacitor Charger and Balancer with Accurate Input Current Limit	±2% Accurate Average Input Current Limit Programmable to 3A, Active Charge Balancing, Charges 1 or 2 Capacitors, $V_{IN}$ : 1.73V to 5.5V, $V_{OUT}$ : 1.8V to 5.5V
<a href="#">LTC3350</a>	High Current Supercapacitor Backup Controller and System Monitor	Synchronous Step-Down CC/CV Charging up to Four Series Supercapacitors $V_{IN}$ : 4.5V to 35V, 14-Bit ADC for Monitoring System Voltages/Currents, Capacitance and ESR, Internal Active Balancers, 38-Lead 5mm × 7mm QFN Package
<a href="#">LTC4425</a>	Linear SuperCap Charger with Current-Limited Ideal Diode and V/I Monitor	Constant-Current/Constant-Voltage Linear Charger for 2-cell Series Supercapacitor Stack, 2A Charge Current, Auto Cell Balancing, 20µA Quiescent Current
<a href="#">LTC3127</a>	1A Buck-Boost DC/DC Converter with Programmable Input Current Limit	Programmable (0.2A to 1A) ±4% Accurate Average Input Current Limit, 1.8V to 5.5V (Input) and 1.8V to 5.25V (Output) Voltage Range
<a href="#">LTC3125</a>	1.2A $I_{OUT}$ , 1.6MHz, Synchronous Boost DC/DC Converter With Adjustable Input Current Limit	94% Efficiency, $V_{IN}$ : 1.8V to 5.5V, $V_{OUT(MAX)}$ = 5.25V, $I_Q$ = 15µA, $I_{SD}$ < 1µA, 2mm × 3mm DFN-8 Package
<a href="#">LTC3441/LTC3441-2/LTC3441-3</a>	1.2A $I_{OUT}$ , 2MHz, Synchronous Buck-Boost DC/DC Converter	95% Efficiency, $V_{IN}$ : 2.4V to 5.5V, $V_{OUT}$ : 2.4V to 5.25V, $I_Q$ = 50µA, $I_{SD}$ < 1µA, 3mm × 4mm DFN-12 Package
<a href="#">LTC3113</a>	3A Low Noise Buck-Boost DC/DC Converter	96% Efficiency, $V_{IN}$ : 1.8V to 5.5V, $V_{OUT}$ : 1.8V to 5.5V, $I_Q$ = 40µA, $I_{SD}$ < 1µA, 4mm × 5mm DFN-16 and 20-Lead TSSOP Packages
<a href="#">LTC3355</a>	20V 1A Buck DC/DC with Integrated SCAP Charger and Backup Regulator	$V_{IN}$ Voltage Range: 3V to 20V, $V_{OUT}$ Voltage Range: 2.7V to 5V, 1A Current Mode Buck Main Regulator, 5A Boost Backup Regulator Powered from Single Supercapacitor Down to 0.5V, Overvoltage Protection
<a href="#">LTC3643</a>	2A Bidirectional Power Backup Supply	Bidirectional Synchronous Boost Capacitor Charger/Buck Regulator for System Backup, Wide $V_{IN}$ Voltage Range: 3V to 17V, Up to 40V Capacitor Voltage, 2A Maximum CAP Charge Current, Low Profile 24-Lead 3mm × 5mm QFN Package

3110fb