

LTC4040

Battery Charger and Backup Power Manager

DESCRIPTION

Demonstration circuit 2118A is a combination step-down battery charger and step-up battery backup regulator using the LTC[®]4040 monolithic system power manager. The DC2118A has an input voltage range from 4.8V to 5.5V with overvoltage protection (OVP) to 40V, as limited by the external MOSFET. The input current is monitored to prioritize the load up to the 2.5A threshold before charge current is reduced.

Battery Charging

As initially configured, DC2118A is programmed for 2A charge current limit when in charge mode. The charge voltage is jumper-selectable in 8 discrete steps from 3.45V to 3.6V for LiFePO₄ chemistry or 3.95V to 4.1V for Li-ion chemistry, according to the F2/F1/F0 programming input settings.

The charge current limit is adjustable via the PROG pin resistor. End-of-charge status is triggered by current falling below C/8 and indicated by the $\overline{\text{CHRG}}$ LED. The optional NTC input provides temperature fault detection

and status indicated by the $\overline{\text{FAULT}}$ LED. Charging can be enabled/disabled with the ENCHG jumper.

Battery Backup

Following an input power failure, the circuit automatically shifts to battery backup boost mode to regulate the VSYS output rail. The backup mode system output voltage is initially programmed for 5V. The input power failure status is indicated by the $\overline{\text{PFO}}$ LED.

If VSYS ever falls below the programmed reset threshold voltage, the $\overline{\text{RST}}$ LED will change states to indicate the need to reset the system and recharge the battery. Backup regulation can be enabled/disabled with the ENBST jumper.

For convenience, all LEDs can be disabled with the LED jumper to reduce the quiescent current of the system.

Design files for this circuit board are available at <http://www.linear.com/demo/DC2118A>

LT, LT, LTC, LTM, Linear Technology and the Linear logo are registered trademarks of Linear Technology Corporation. All other trademarks are the property of their respective owners.

PERFORMANCE SUMMARY

Specifications are at T_A = 25°C

PARAMETER	CONDITIONS	VALUE
Charge Mode		
Input Voltage Range		4.8V to 5.5V
Overvoltage Protection Range	Limited by Q1 BV _{DSS}	5.5V to 40V
Input Current Limit	R7 = 10mΩ	2.5A
Default Charging Voltage	F2 = 1 (Li-Ion), F1 = 1, F0 = 1	4.10V
Charging Current	RPROG = 1.00k	2.0A
Safety Timer Period	F2 = 1 (Li-Ion)	4Hr
	F2 = 0 (LiFePO ₄)	2Hr
Backup Mode		
DCIN Input Power Fail Threshold	R2 = 357k, R27 = 121k, DCIN Falling	4.8V
System Output Voltage	R4 = 1.69M, R5 = 324k	5.0V
Backup Battery Voltage Range		2.7V to 5.0V
System Reset Threshold	R4 = 1.69M, R5 = 324k, VSYS Falling	4.6V
Backup Boost Efficiency	VBAT = 3.6V, ISYS = 2A, VOUT = 5V	89%

dc2118af

PERFORMANCE SUMMARY

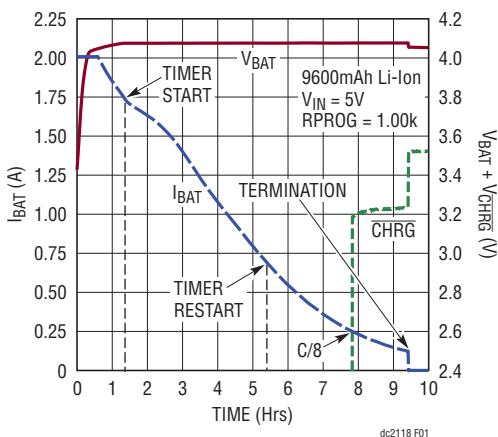


Figure 1. Typical Battery Charge Cycle

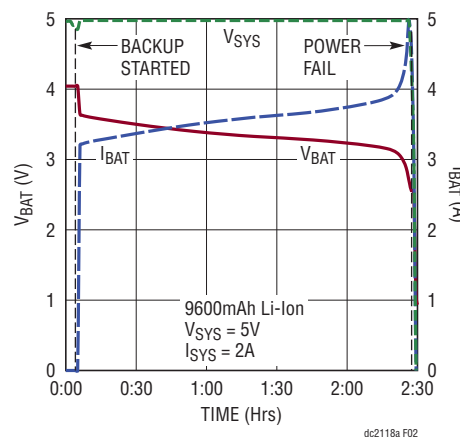


Figure 2. Typical Battery Discharge Cycle

QUICK START PROCEDURE

Demonstration circuit 2118A is easy to set up to evaluate the performance of LTC4040. Refer to Figure 2 for proper measurement equipment setup and follow the procedure below.

1. The jumpers are set as below for a typical 4.1V charging application:

JP1	NTC	INT
JP2	ENCHG	ON
JP3	ENBST	ON
JP4	F1	1
JP5	F0	1
JP6	LEDS	ON
JP7	F2	1

2. With all power off, connect the input supply, system load, and meters as shown in Figure 3.

Charge Mode

3. Connect the battery as shown in Figure 3 to charge at 4.1V, 2A. For alternate charge voltage settings, refer to Table 1.
4. Turn on the input power supply to evaluate charge mode. Adjust the input voltage and current limit to the desired value.

NOTE: While DC2118A is robust to overvoltage conditions up to 40V on DCIN, DO NOT exceed this limit or damage may occur to MOSFET Q1 and IC U1.

5. Turn on and adjust the system load as necessary. Charging current will be limited when input current exceeds 2.5A.
6. The $\overline{\text{CHRG}}$ LED will toggle off when the charge current has dropped below 250mA. The timer will continue to run and charging will continue until the timer period ends. Multiple timer periods may be necessary to fully charge a large capacity battery, such as the one used to obtain Figure 1.
7. If the battery voltage does not increase above the low battery threshold during the precondition time or the thermistor value exceeds the normal range, $\overline{\text{CHRG}}$ will toggle off and $\overline{\text{FAULT}}$ will toggle on indicating a bad battery.

Backup Mode

8. Turn off the input power supply to evaluate backup mode.
9. The $\overline{\text{PFO}}$ LED will toggle on indicating input power failure.
10. Adjust the system load as necessary.

QUICK START PROCEDURE

- Total backup runtime is based on battery capacity, circuit efficiency, and system load. Figure 2 shows an example discharge curve with constant current system load.
- When VSYS falls below 7.5% of the programmed value, or 4.6V, then \overline{RST} will toggle on.

Optional

- Use an external thermistor connected between EXTNTC and GND as shown in Figure 3, with the NTC jumper, JP1, set to EXT.
- Change the setting of the ENCHG, JP2, or ENBST, JP3, jumpers to enable/disable charging and backup boost respectively.
- Monitor the PROG pin voltage for a scaled representation of the instantaneous charge current according to the relationship:

$$I_{BAT} = \frac{2000 \cdot V_{PROG}}{R_{PROG}}$$

Where $R_{PROG} = R6 = 1k\Omega$.

- Monitor the CLPROG pin voltage for a scaled representation of the instantaneous total input current according to the relationship:

$$I_{VIN} = \frac{V_{CLPROG}}{32 \cdot R_S}$$

Where $R_S = R7 = 10m\Omega$.

- All status LEDs can be disconnected to reduce the quiescent current by setting the LEDS jumper, JP6 to OFF.
- External VDD can be used by connecting to EXTVDD and installing 0Ω for R16.

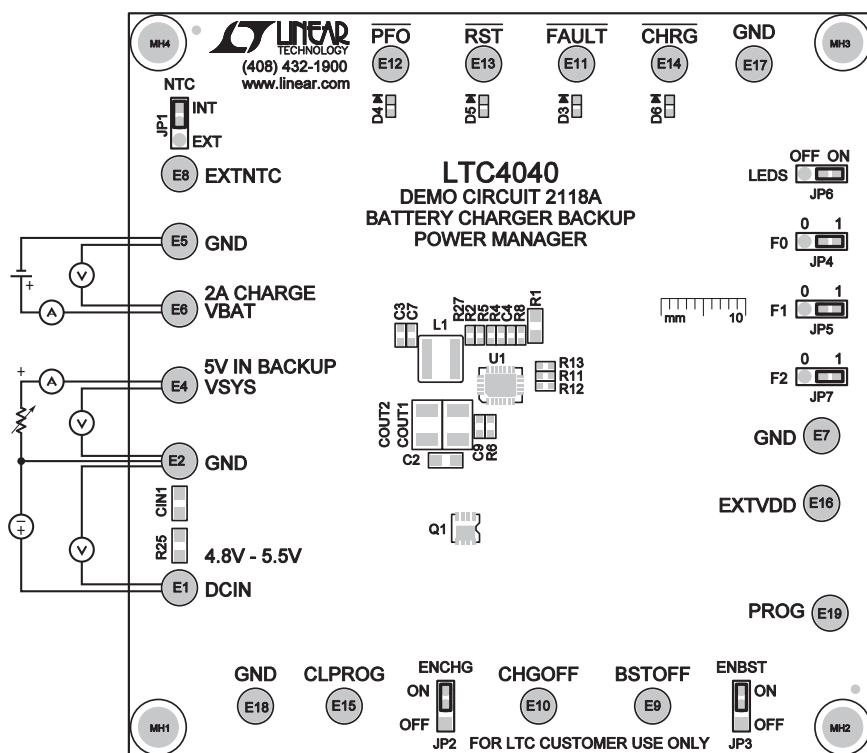


Figure 3. Proper Measurement Equipment Setup

Table 1. Battery Charge Voltage Jumper Settings

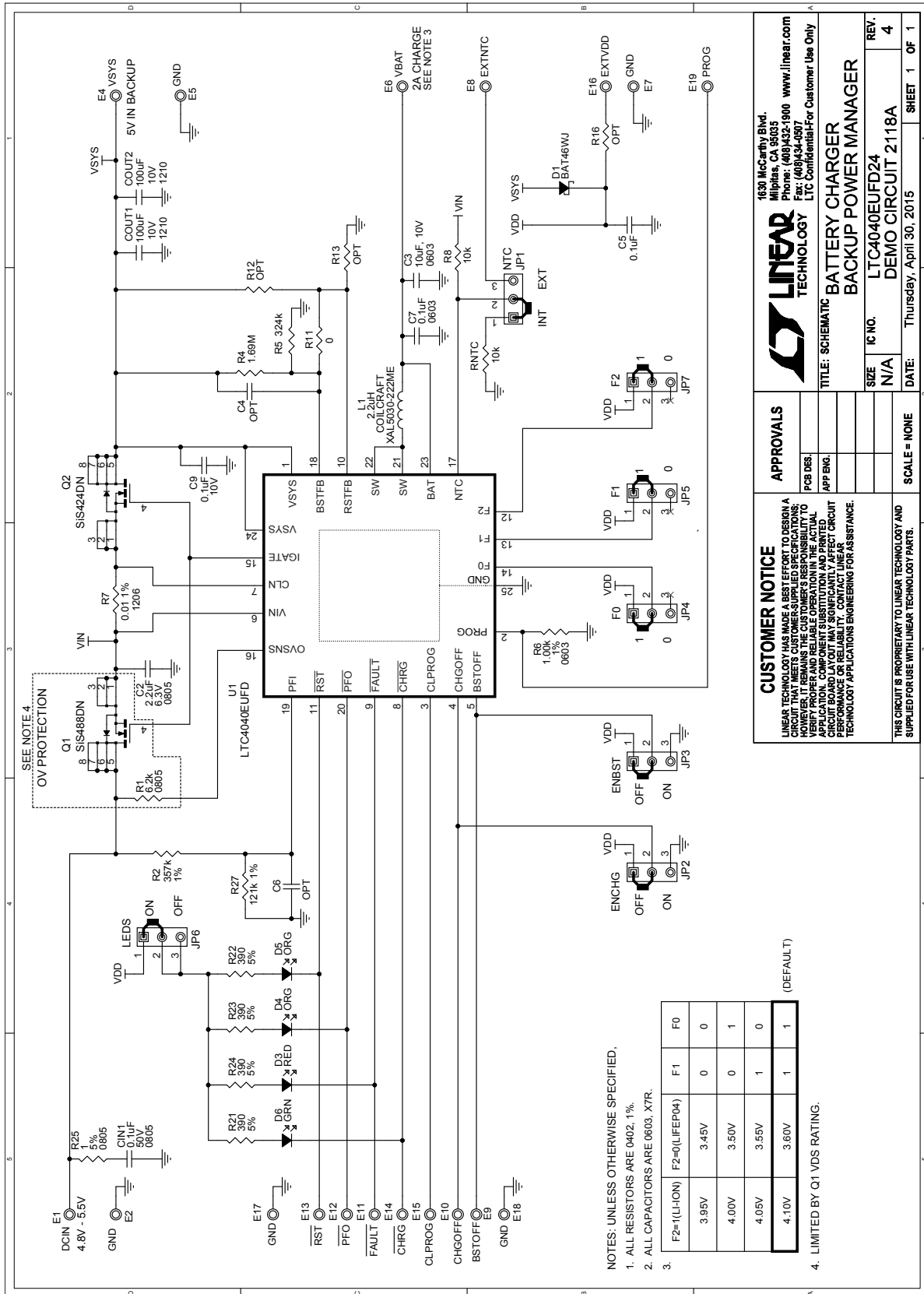
	JP7		JP5	JP4
	F2 = 1 (Li-Ion)	F2 = 0 (LiFePO ₄)	F1	F0
	3.95	3.45	0	0
	4.00	3.50	0	1
	4.05	3.55	1	0
	4.10	3.60	1	1

DEMO MANUAL DC2118A

PARTS LIST

ITEM	QTY	REFERENCE	PART DESCRIPTION	MANUFACTURER/PART NUMBER
Required Circuit Components				
1	1	CIN1	CAP., X7R, 0.1 μ F, 10%, 50V, 0805	AVX, 08055C104KAT4A
2	2	COUT1, COUT2	CAP., X5R, 100 μ F, 20%, 10V, 1210	MURATA, GRM32ER61A107ME20L
3	1	C2	CAP., X7R, 2.2 μ F, 10%, 6.3V, 0805	MURATA, GRM21BR70J225MA01L
4	1	C3	CAP., X5R, 10 μ F, 20%, 10V, 0603	AVX, 0603ZD106MAT2A
5	2	C7, C9	CAP., X7R, 0.1 μ F, 10%, 10V, 0603	AVX, 0603ZC104KA72
6	1	L1	INDUCTOR, 2.2 μ H	COILCRAFT, XAL5030-222ME
7	1	Q2	XSTR, MOSFET N-CHANNEL, 20-V	VISHAY, SiS424DN-T1-GE3
8	1	R2	RES., 357k, 1/16W, 1%, 0402	VISHAY, CRCW0402357KFKED
9	1	R4	RES., 1.69M Ω , 1/16W, 1%, 0402	VISHAY, CRCW04021M69FKED
10	1	R5	RES., 324k, 1/16W, 1%, 0402	VISHAY, CRCW0402324KFKED
11	1	R6	RES., 1.00k, 1/10W, 1%, 0603	VISHAY, CRCW06031K00FKED
12	1	R7	RES., 0.01 Ω , 1/4W, 1%, 1206	VISHAY, WSL1206R0100FEB
13	1	R8	RES., 10k, 1/16W, 1%, 0402	VISHAY, CRCW040210K0FKED
14	1	R11	RES., 0 Ω JUMPER, 0402	VISHAY, CRCW04020000Z0ED
15	1	R25	RES., 1 Ω , 1/8W, 5%, 0805	VISHAY, CRCW0805100RJNEA
16	1	R27	RES., 121k, 1/16W, 1%, 0402	VISHAY, CRCW040260K4FKED
17	1	U1	I.C., LTC4040EUFDF	LINEAR TECH, LTC4040EUFDF#PBF
Additional Demo Board Circuit Components				
1	0	C4, C6	CAP., 0402	OPT
2	1	C5	CAP., X5R, 0.1 μ F, 10%, 10V, 0402	MURATA, GRM155R71A104KA01J
3	1	D1	DIODE, SCHOTTKY	NXP, BAT46WJ
4	1	D3	DIODE, LED, SMT, RED, 0603	LITE-ON, LTST-C193KRKT-5A
5	2	D4, D5	DIODE, LED, SMT, ORANGE, 0603	LTIE-ON, LTST-C193KFKT-5A
6	1	D6	DIODE, LED, SMT, GREEN, 0603	LITE-ON, LTST-C193KGKT-5A
7	1	Q1	XSTR, MOSFET N-CHANNEL, 40-V	VISHAY, SiS488DN-T1-GE3
8	1	RNTC	RES., 10k, 1/16W, 1%, 0402	VISHAY, CRCW040210K0FKED
9	1	R1	RES., 6.2k, 1/8W, 5%, 0805	VISHAY, CRCW08056K20JNEA
10	0	R12, R13, R16	RES., 0402	OPT
11	4	R21-R24	RES., 390 Ω , 1/16W, 5%, 0402	VISHAY, CRCW0402390RJNED
Hardware: For Demo Board Only				
1	18	E1, E2, E4-E19	TEST POINT, TURRET, 0.094"	MILL-MAX, 2501-2-00-80-00-00-07-0
2	7	JP1-JP7	3 PIN JUMPER, 2mm	SAMTEC TMM-103-02-L-S
3	7	XJP1-XJP7	SHUNT, 2mm	SAMTEC 2SN-BK-G
4	4	STAND-OFF	STAND-OFF, NYLON	KEYSTONE, 8834(SNAP ON)

SCHEMATIC DIAGRAM



LINEAR TECHNOLOGY
 1630 McCarty Blvd.
 Milpitas, CA 95035
 Phone: (408)432-1600 www.linear.com
 Fax: (408)434-0507
 LTC Confidential-For Customer Use Only

TITLE: SCHEMATIC BATTERY CHARGER BACKUP POWER MANAGER

IC NO.: LTC4040EUFD24
REV.: 4
DEMO CIRCUIT 2118A

DATE: Thursday, April 30, 2015
SHEET 1 OF 1

APPROVALS

PCB DES.	
APP ENG.	

CUSTOMER NOTICE
 LINEAR TECHNOLOGY HAS MADE A BEST EFFORT TO DESIGN A CIRCUIT THAT MEETS CUSTOMER SUPPLIED SPECIFICATIONS. LINEAR TECHNOLOGY DOES NOT WARRANT THE ACTUAL PERFORMANCE OF THE CIRCUIT TO MEET THE SPECIFICATIONS OF ANY PARTICULAR APPLICATION. COMPONENT SUBSTITUTION AND PRINTED CIRCUIT BOARD LAYOUT MAY AFFECT THE PERFORMANCE OF THE CIRCUIT. LINEAR TECHNOLOGY APPLICATIONS ENGINEERING FOR ASSISTANCE.

SCALE = NONE

THIS CIRCUIT IS PROPRIETARY TO LINEAR TECHNOLOGY AND SUPPLIED FOR USE WITH LINEAR TECHNOLOGY PARTS.



Information furnished by Linear Technology Corporation is believed to be accurate and reliable. However, no responsibility is assumed for its use. Linear Technology Corporation makes no representation that the interconnection of its circuits as described herein will not infringe on existing patent rights.

DEMO MANUAL DC2118A

DEMONSTRATION BOARD IMPORTANT NOTICE

Linear Technology Corporation (LTC) provides the enclosed product(s) under the following **AS IS** conditions:

This demonstration board (DEMO BOARD) kit being sold or provided by Linear Technology is intended for use for **ENGINEERING DEVELOPMENT OR EVALUATION PURPOSES ONLY** and is not provided by LTC for commercial use. As such, the DEMO BOARD herein may not be complete in terms of required design-, marketing-, and/or manufacturing-related protective considerations, including but not limited to product safety measures typically found in finished commercial goods. As a prototype, this product does not fall within the scope of the European Union directive on electromagnetic compatibility and therefore may or may not meet the technical requirements of the directive, or other regulations.

If this evaluation kit does not meet the specifications recited in the DEMO BOARD manual the kit may be returned within 30 days from the date of delivery for a full refund. **THE FOREGOING WARRANTY IS THE EXCLUSIVE WARRANTY MADE BY THE SELLER TO BUYER AND IS IN LIEU OF ALL OTHER WARRANTIES, EXPRESSED, IMPLIED, OR STATUTORY, INCLUDING ANY WARRANTY OF MERCHANTABILITY OR FITNESS FOR ANY PARTICULAR PURPOSE. EXCEPT TO THE EXTENT OF THIS INDEMNITY, NEITHER PARTY SHALL BE LIABLE TO THE OTHER FOR ANY INDIRECT, SPECIAL, INCIDENTAL, OR CONSEQUENTIAL DAMAGES.**

The user assumes all responsibility and liability for proper and safe handling of the goods. Further, the user releases LTC from all claims arising from the handling or use of the goods. Due to the open construction of the product, it is the user's responsibility to take any and all appropriate precautions with regard to electrostatic discharge. Also be aware that the products herein may not be regulatory compliant or agency certified (FCC, UL, CE, etc.).

No License is granted under any patent right or other intellectual property whatsoever. **LTC assumes no liability for applications assistance, customer product design, software performance, or infringement of patents or any other intellectual property rights of any kind.**

LTC currently services a variety of customers for products around the world, and therefore this transaction **is not exclusive**.

Please read the DEMO BOARD manual prior to handling the product. Persons handling this product must have electronics training and observe good laboratory practice standards. **Common sense is encouraged.**

This notice contains important safety information about temperatures and voltages. For further safety concerns, please contact a LTC application engineer.

Mailing Address:

Linear Technology
1630 McCarthy Blvd.
Milpitas, CA 95035

Copyright © 2004, Linear Technology Corporation