

Specification Status: Released

Marking:

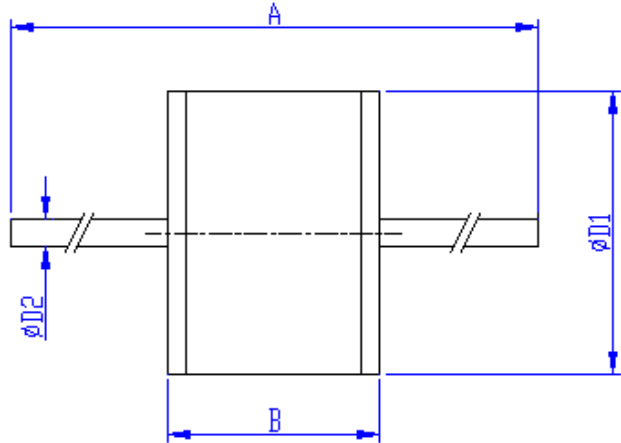
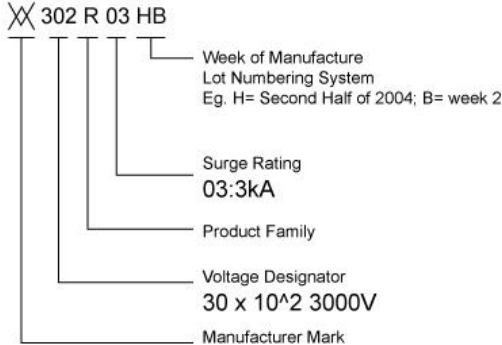


TABLE I. DIMENSIONS:

| A | | B | | D1 | | D2 |
|--------|--------|--------|--------|--------|--------|--------|
| MIN | MAX | MIN | MAX | MIN | MAX | NOM |
| 58.0 | 66.0 | 5.8 | 6.2 | 7.8 | 8.2 | 0.8 |
| (2.28) | (2.60) | (0.23) | (0.24) | (0.31) | (0.32) | (0.03) |

mm
in*

*Rounded off approximation

TABLE II. ELECTRICAL CHARACTERISTICS:

| DC Sparkover Voltage | Impulse Sparkover Voltage | Insulation Resistance | Capacitance | AC Discharge Current, 50 Hz | | Impulse Discharge Current 8/20µs | |
|----------------------|---------------------------|-----------------------|-------------|--------------------------------------|----------------------|-----------------------------------|------|
| | | | | Multiple Hits (1s duration: 10 hits) | Single hit, 9 cycles | 10 hits (5hits for each polarity) | 1hit |
| @100V/s | @100V/µs | @1,000V _{DC} | @1MHz | 1A | 5A | 3kA | 10kA |
| 3000V ± 20% | ≤4000V | ≥ 10,000MΩ | ≤1.0pF | | | | |

General Characteristics:

No Radioactive Materials
Storage temperature: -40°C ... +90°C
Operating temperature: -40°C ... +90°C
Electrode: Fe-Ni alloy, Ni plated
Lead: Sn plated Copper

Agency Recognitions: UL1449 (File# E332226)
Precedence: This specification takes precedence over documents referenced herein
Effectivity: Reference documents shall be the issue in effect on the date of invitation for bid
CAUTION: Operation beyond the rated voltage or current may result in rupture, electrical arcing or flame

Materials Information

ROHS Compliant

Directive 2002/95/EC
Compliant

ELV Compliant

Directive 2000/53/EC
Compliant



Expertise Applied | Answers Delivered

Gas Discharge Tube

Over-Voltage Protection Device

PRODUCT: GTCA28-302M-R03

DOCUMENT: SCD27870
REV LETTER: C
REV DATE: JULY 26, 2016
PAGE NO.: 2 OF 2

Information furnished is believed to be accurate and reliable. However, users should independently evaluate the suitability of and test each product selected for their own applications. Littelfuse products are not designed for, and shall not be used for, any purpose (including, without limitation, military, aerospace, medical, lifesaving, life-sustaining or nuclear facility applications, devices intended for surgical implant into the body, or any other application in which the failure or lack of desired operation of the product may result in personal injury, death, or property damage) other than those expressly set forth in applicable Littelfuse product documentation. Warranties granted by Littelfuse shall be deemed void for products used for any purpose not expressly set forth in applicable Littelfuse documentation. Littelfuse shall not be liable for any claims or damages arising out of products used in applications not expressly intended by Littelfuse as set forth in applicable Littelfuse documentation. The sale and use of Littelfuse products is subject to Littelfuse Terms and Conditions of Sale, unless otherwise agreed by Littelfuse.