

## 20-Channel Serial-Input Vacuum Fluorescent Display Driver for Anode or Grid

### Features

- HVCMOS<sup>®</sup> Technology for High Performance
- Operating Voltage of up to 80V
- High-speed Source Driver
- 5V CMOS Logic Circuitry
- Up to 5 MHz Data Input Rate
- Excellent Noise Immunity
- Flexible High-voltage Supplies

### Applications

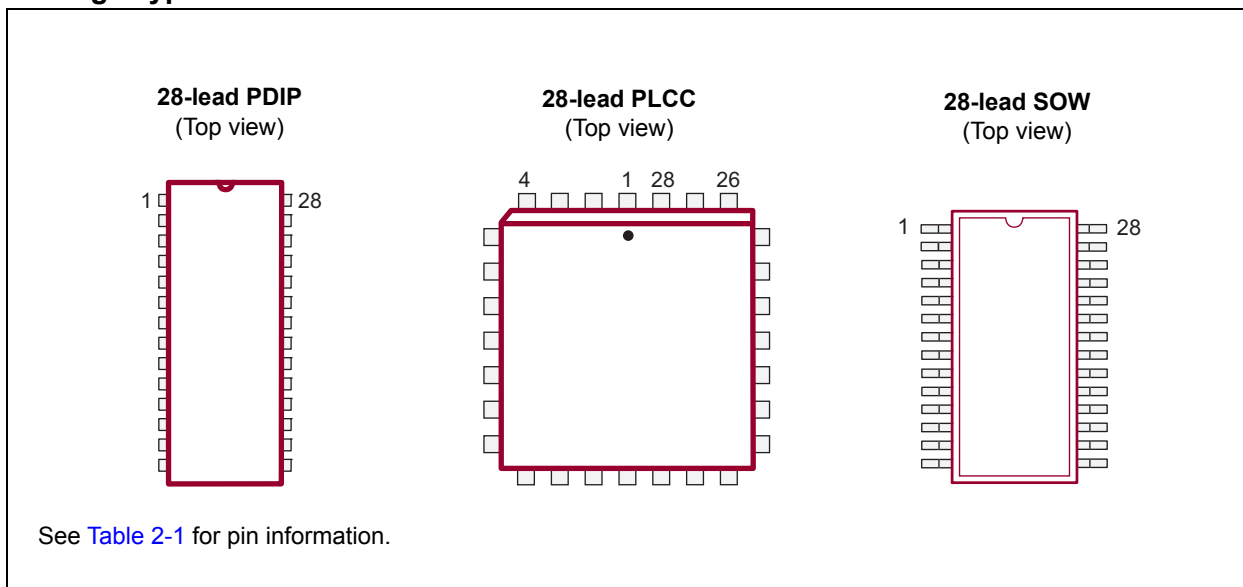
- Display Driver

### General Description

The HV5812 is a 20-channel serial-input vacuum fluorescent display driver. It combines a 20-bit CMOS shift register, data latches and control circuitry with high-voltage MOSFET outputs. The HV5812 is primarily designed for vacuum fluorescent displays.

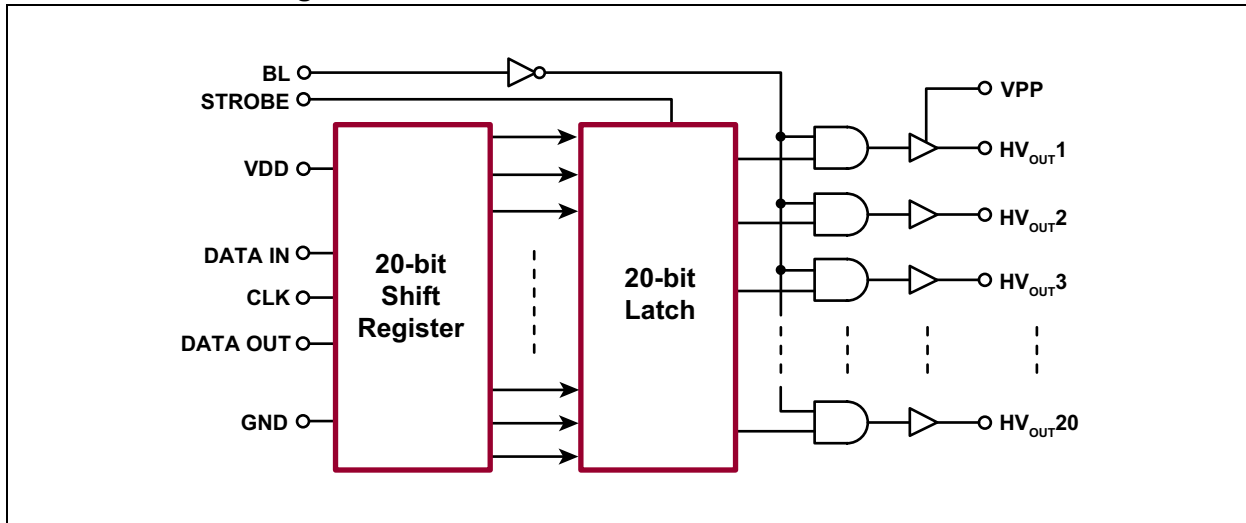
The CMOS shift register and latches allow direct interfacing with microprocessor-based systems. Data input rates are typically over 5 MHz with 5V logic supply. Especially useful for interdigit blanking, the blanking input disables the output source drives and turns on the sink drivers. Using with TTL may require external pull-up resistors to ensure an input logic high.

### Package Types



# HV5812

## Functional Block Diagram



## 1.0 ELECTRICAL CHARACTERISTICS

### Absolute Maximum Ratings†

Supply Voltage, $V_{DD}$ .....	-0.5V to +7.5V
Supply Voltage, $V_{PP}$ .....	-0.5V to +90V
Logic Input Levels.....	-0.3V to $V_{DD} + 0.3V$
Maximum Operating Junction Temperature.....	+125°C
Storage Temperature.....	-55°C to +150°C
Power Dissipation:	
28-lead PDIP.....	2000 mW
28-lead PLCC.....	1900 mW
28-Lead SOW.....	1700 mW

† **Notice:** Stresses above those listed under “Absolute Maximum Ratings” may cause permanent damage to the device. This is a stress rating only, and functional operation of the device at those or any other conditions above those indicated in the operational sections of this specification is not intended. Exposure to maximum rating conditions for extended periods may affect device reliability.

### RECOMMENDED OPERATING CONDITIONS

Parameter	Sym.	Min.	Typ.	Max.	Unit	Conditions
Supply Voltage	$V_{DD}$	4.5	—	5.5	V	
Supply Voltage	$V_{PP}$	20	—	80	V	
Operating Junction Temperature	$T_J$	-40	—	+125	°C	

### DC ELECTRICAL CHARACTERISTICS

**Electrical Specifications:** Over recommended operating conditions;  $T_A = 25^\circ\text{C}$  unless otherwise indicated.

Parameter	Sym.	Min.	Typ.	Max.	Unit	Conditions	
Output Leakage Current	$I_{DSS}$	—	-5	-15	$\mu\text{A}$	$V_{OUT} = 0V, T_A = +70^\circ\text{C}$	
High-level Output	$V_{OH}$	$HV_{OUT}$	78	78.5	—	V	$I_{OUT} = -25\text{ mA}, V_{PP} = 80V, T_J = +25^\circ\text{C}$
		$HV_{OUT}$	77	78	—	V	$I_{OUT} = -25\text{ mA}, V_{PP} = 80V, T_J = +125^\circ\text{C}$
	DATA OUT	4.5	4.7	—	V	$I_{OUT} = -200\ \mu\text{A}, V_{DD} = 5V$	
Low-level Output	$V_{OL}$	$HV_{OUT}$	—	1.5	3	V	$I_{OUT} = 1\text{ mA}, T_J = +25^\circ\text{C}, V_{DD} = 5V$
		$HV_{OUT}$	—	2.3	4	V	$I_{OUT} = 1\text{ mA}, T_J = +125^\circ\text{C}, V_{DD} = 5V$
	DATA OUT	—	200	250	V	$I_{OUT} = +200\ \mu\text{A}, V_{DD} = 5V$	
Output Pull-down Current	$I_{SINK}$	2	3.5	—	mA	$V_{OUT} = 5V\text{ to }V_{PP}, V_{DD} = 5V$	
High-level Logic Input Voltage	$V_{IH}$	3.5	—	5.3	V	$V_{DD} = 5V$	
Low-level Logic Input Voltage	$V_{IL}$	-0.3	—	0.8	V		
High-level Logic Input Current	$I_{IH}$	—	0.05	0.5	$\mu\text{A}$	$V_{IN} = V_{DD}, V_{DD} = 5V$	
Low-level Logic Input Current	$I_{IL}$	—	-0.05	-0.5	$\mu\text{A}$	$V_{IN} = 0.8V, V_{DD} = 5V$	
Quiescent $V_{DD}$ Supply Current	$I_{DDQ}$	—	100	300	$\mu\text{A}$	All outputs high, $V_{DD} = 5V$	
		—	100	300	$\mu\text{A}$	All outputs low, $V_{DD} = 5V$	
Quiescent $V_{PP}$ Supply Current	$I_{PPQ}$	—	10	100	$\mu\text{A}$	All outputs high, no load	
		—	10	100	$\mu\text{A}$	All outputs low, no load	

# HV5812

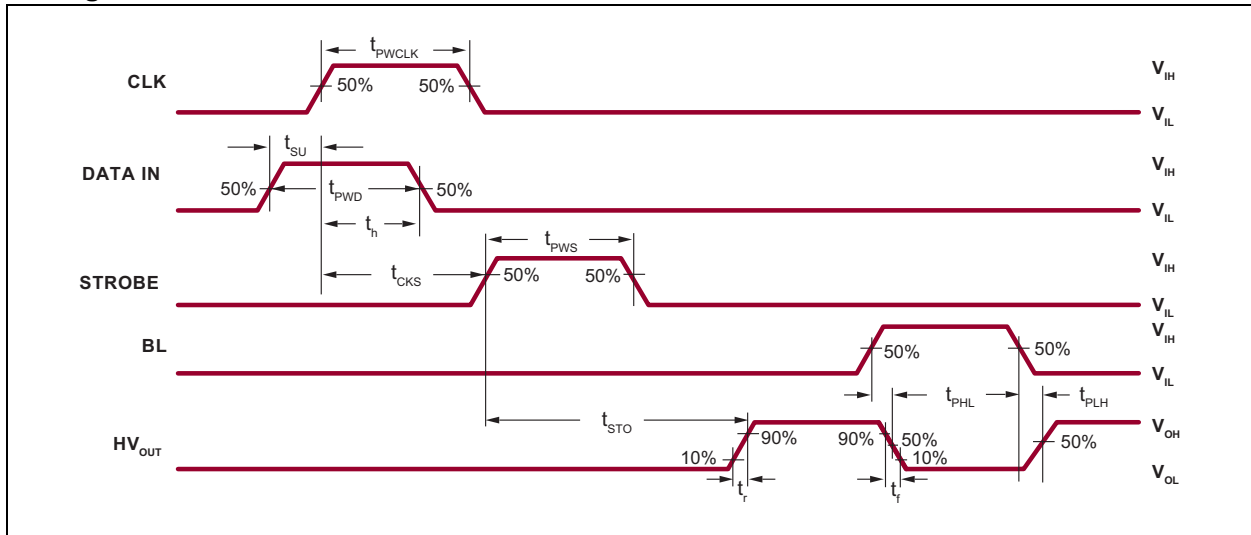
## AC ELECTRICAL CHARACTERISTICS

Electrical Specifications: Over recommended operating conditions; $T_A = 25^\circ\text{C}$ unless otherwise indicated.						
Parameter	Sym.	Min.	Typ.	Max.	Unit	Conditions
Blanking to Output Delay	$t_{PHL}$	—	2000	—	ns	$C_L = 30\text{ pF}$ , 50% to 50%, $V_{DD}=5\text{V}$
	$t_{PLH}$	—	1000	—		
Output Fall Time	$t_f$	—	1450	—	ns	$C_L = 30\text{ pF}$ , 90% to 10%, $V_{DD} = 5\text{V}$
Output Rise Time	$t_r$	—	650	—	ns	$C_L = 30\text{ pF}$ , 10% to 90%, $V_{DD} = 5\text{V}$
Data Set-up Time	$t_{SU}$	75	—	—	ns	See <a href="#">Timing Waveforms</a> .
Data Hold Time	$t_H$	75	—	—	ns	See <a href="#">Timing Waveforms</a> .
Minimum Data Pulse Width	$t_{PWD}$	150	—	—	ns	See <a href="#">Timing Waveforms</a> .
Minimum Clock Pulse Width	$t_{PWCLK}$	150	—	—	ns	See <a href="#">Timing Waveforms</a> .
Minimum Time between Clock Activation and Strobe	$t_{CKS}$	300	—	—	ns	See <a href="#">Timing Waveforms</a> .
Minimum Strobe Pulse Width	$t_{PWS}$	100	—	—	ns	See <a href="#">Timing Waveforms</a> .
Typical Time between Strobe Activation and Output Transition	$t_{STO}$	—	500	—	ns	See <a href="#">Timing Waveforms</a> .
Maximum Clock Frequency	$f_{CLK}$	—	8	—	MHz	$T_J = +25^\circ\text{C}$ , $V_{DD} = 5\text{V}$
		—	5	—		$T_J = +125^\circ\text{C}$ , $V_{DD} = 5\text{V}$

## TEMPERATURE SPECIFICATIONS

Parameter	Sym.	Min.	Typ.	Max.	Unit	Conditions
<b>TEMPERATURE RANGE</b>						
Operating Junction Temperature	$T_J$	-40	—	+125	$^\circ\text{C}$	
Storage Temperature	$T_S$	-55	—	+150	$^\circ\text{C}$	
<b>PACKAGE THERMAL RESISTANCE</b>						
28-lead PDIP	$\theta_{JA}$	—	43	—	$^\circ\text{C/W}$	
28-lead PLCC	$\theta_{JA}$	—	48	—	$^\circ\text{C/W}$	
28-lead SOW	$\theta_{JA}$	—	55	—	$^\circ\text{C/W}$	

## Timing Waveforms



# HV5812

## 2.0 PIN DESCRIPTION

The details on the pins of HV5812 28-lead PDIP, 28-lead PLCC and 28-lead SOW are listed on [Table 2-1](#). Refer to [Package Types](#) for the location of pins.

**TABLE 2-1: PIN FUNCTION TABLE**

Pin Number	Pin Name	Description
1	VPP	High-voltage power rail
2	Data Out	Serial data output. Data output for cascading to the data input of the next device.
3	HV <sub>OUT</sub> 20	High-voltage output
4	HV <sub>OUT</sub> 19	High-voltage output
5	HV <sub>OUT</sub> 18	High-voltage output
6	HV <sub>OUT</sub> 17	High-voltage output
7	HV <sub>OUT</sub> 16	High-voltage output
8	HV <sub>OUT</sub> 15	High-voltage output
9	HV <sub>OUT</sub> 14	High-voltage output
10	HV <sub>OUT</sub> 13	High-voltage output
11	HV <sub>OUT</sub> 12	High-voltage output
12	HV <sub>OUT</sub> 11	High-voltage output
13	BLANKING	Blank
14	GND	Logic and high-voltage ground
15	CLOCK	Data shift register clock
16	STROBE	Strobe
17	HV <sub>OUT</sub> 10	High-voltage output
18	HV <sub>OUT</sub> 9	High-voltage output
19	HV <sub>OUT</sub> 8	High-voltage output
20	HV <sub>OUT</sub> 7	High-voltage output
21	HV <sub>OUT</sub> 6	High-voltage output
22	HV <sub>OUT</sub> 5	High-voltage output
23	HV <sub>OUT</sub> 4	High-voltage output
24	HV <sub>OUT</sub> 3	High-voltage output
25	HV <sub>OUT</sub> 2	High-voltage output
26	HV <sub>OUT</sub> 1	High-voltage output
27	Data In	Serial data input
28	VDD	Low-voltage logic power rail

## 3.0 FUNCTIONAL DESCRIPTION

Follow the steps below to power up and power down the HV5812:

### POWER-UP AND POWER-DOWN SEQUENCE

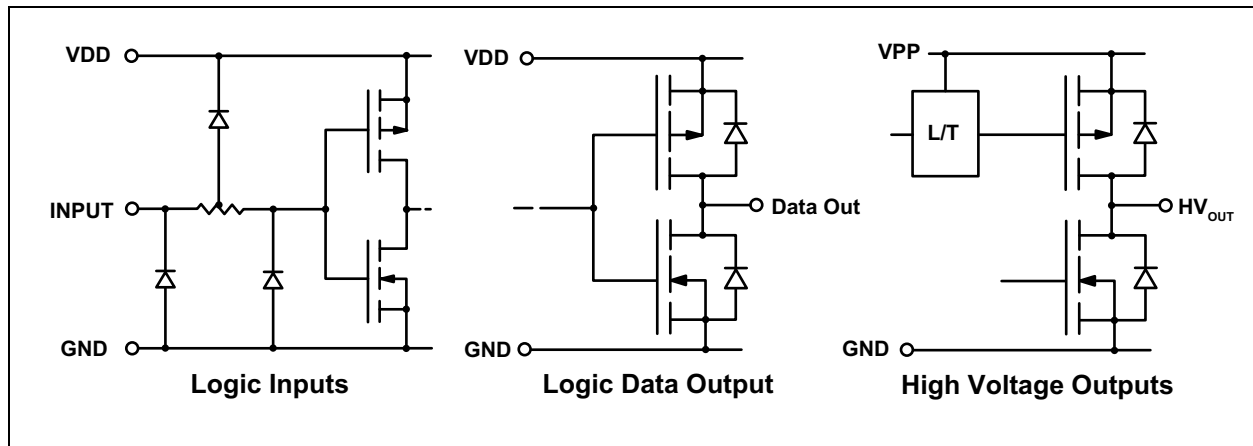
Power-up		Power-down	
Step	Description	Step	Description
1	Connect ground.	1	Remove $V_{PP}$ .
2	Apply $V_{DD}$ .	2	Remove all inputs.
3	Set all inputs (Data, CLK, etc.) to a known state	3	Remove $V_{DD}$ .
4	Apply $V_{PP}$ ( <b>Note 1</b> )	4	Disconnect ground.

**Note 1:** The  $V_{PP}$  should not drop below  $V_{DD}$  during operation.

### FUNCTION TABLE (**Note 1**)

Serial Data Input	Clock Input	Shift Register Contents				Serial Data Output	Strobe Input	Latch Contents				Blanking	Output Contents					
		$I_1$	$I_2$	$I_3...I_{N-1}$	$I_N$			$I_1$	$I_2$	$I_3...I_{N-1}$	$I_N$		$O_1$	$O_2$	$O_3...O_{N-1}$	$O_N$		
H	L to H	H	$R_1$	$R_2...R_{N-2}$	$R_{N-1}$	$R_{N-1}$	—	—	—	—	—	—	—	—	—	—	—	—
L	L to H	L	$R_1$	$R_2...R_{N-2}$	$R_{N-1}$	$R_{N-1}$	—	—	—	—	—	—	—	—	—	—	—	—
X	H to L	$R_1$	$R_2$	$R_3...R_{N-1}$	$R_N$	$R_N$	—	—	—	—	—	—	—	—	—	—	—	—
—	—	X	X	$X...X$	X	X	L	$R_1$	$R_2$	$R_3...R_{N-1}$	$R_N$	—	—	—	—	—	—	—
—	—	$P_1$	$P_2$	$P_3...P_{N-1}$	$P_N$	$P_N$	H	$P_1$	$P_2$	$P_3...P_{N-1}$	$P_N$	L	$P_1$	$P_2$	$P_3...P_{N-1}$	$P_N$	—	—
—	—	—	—	—	—	—	—	X	X	$X...X$	X	H	L	L	$L...L$	L	—	—

**Note 1:** L = Low logic level  
 H = High logic level  
 X = Irrelevant  
 P = Present state  
 R = Previous state



**FIGURE 3-1:** IO Circuits.

# HV5812

## 4.0 PACKAGE MARKING INFORMATION

### 4.1 Packaging Information

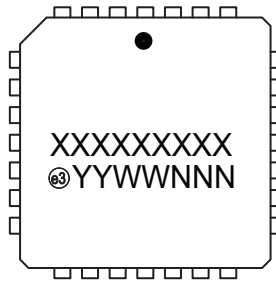
28-lead PDIP



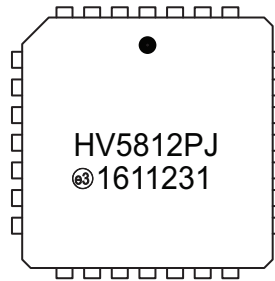
Example



28-lead PLCC



Example



28-lead SOW



Example

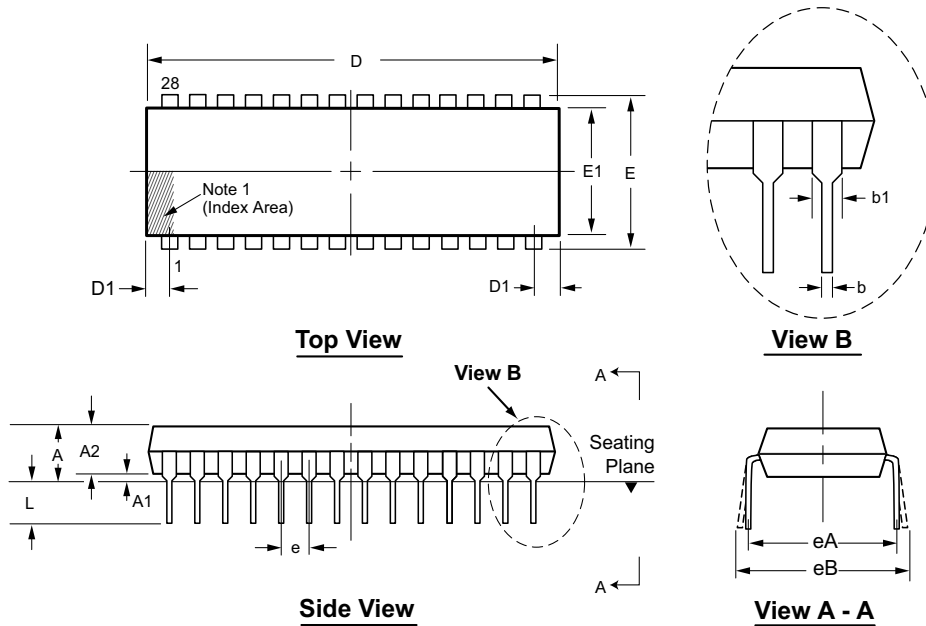


<b>Legend:</b>	XX...X	Product Code or Customer-specific information
	Y	Year code (last digit of calendar year)
	YY	Year code (last 2 digits of calendar year)
	WW	Week code (week of January 1 is week '01')
	NNN	Alphanumeric traceability code
	(e3)	Pb-free JEDEC® designator for Matte Tin (Sn)
	*	This package is Pb-free. The Pb-free JEDEC designator (e3) can be found on the outer packaging for this package.

**Note:** In the event the full Microchip part number cannot be marked on one line, it will be carried over to the next line, thus limiting the number of available characters for product code or customer-specific information. Package may or not include the corporate logo.



## 28-Lead PDIP (.600in Row Spacing) Package Outline (P) 1.565x.580in body, .250in height (max), .100in pitch



Note: For the most current package drawings, see the Microchip Packaging Specification at [www.microchip.com/packaging](http://www.microchip.com/packaging).

**Note:**

1. A Pin 1 identifier must be located in the index area indicated. The Pin 1 identifier can be: a molded mark/identifier; an embedded metal marker; or a printed indicator.

Symbol	A	A1	A2	b	b1	D	D1	E	E1	e	eA	eB	L	
Dimension (inches)	MIN	.140*	.015	.125	.014	.030	1.380	.065†	.590†	.485	.100 BSC	.600 BSC	.600*	.115
	NOM	-	-	-	-	-	-	-	-	-			-	-
	MAX	.250	.055*	.195	.023†	.070	1.565	.085*	.625	.580			.700	.200

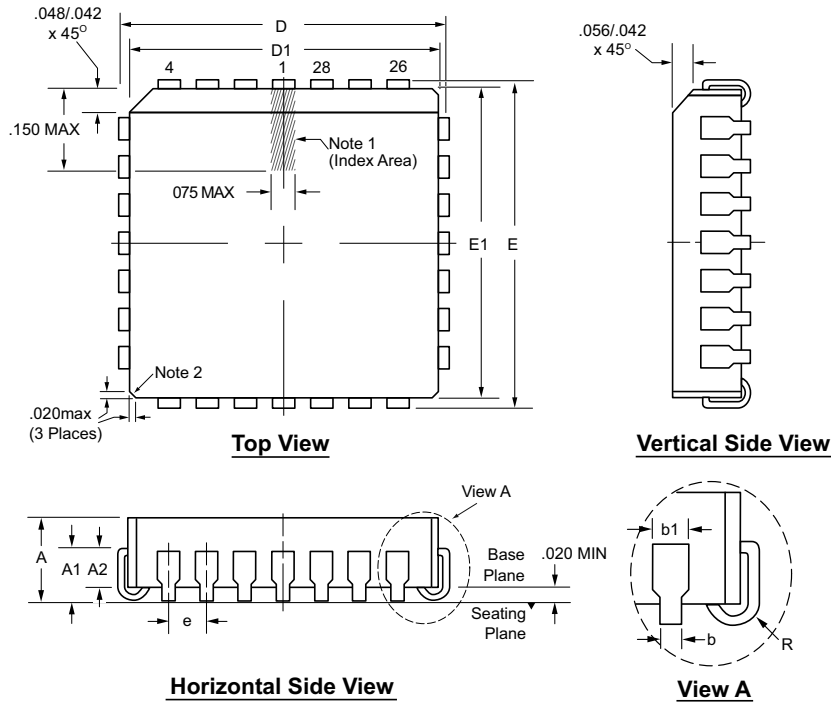
JEDEC Registration MS-011, Variation AB, Issue B, June, 1988.

\* This dimension is not specified in the JEDEC drawing.

† This dimension differs from the JEDEC drawing.

Drawings not to scale.

## 28-Lead PLCC Package Outline (PJ) .453x.453in. body, .180in. height (max), .050in. pitch



Note: For the most current package drawings, see the Microchip Packaging Specification at [www.microchip.com/packaging](http://www.microchip.com/packaging).

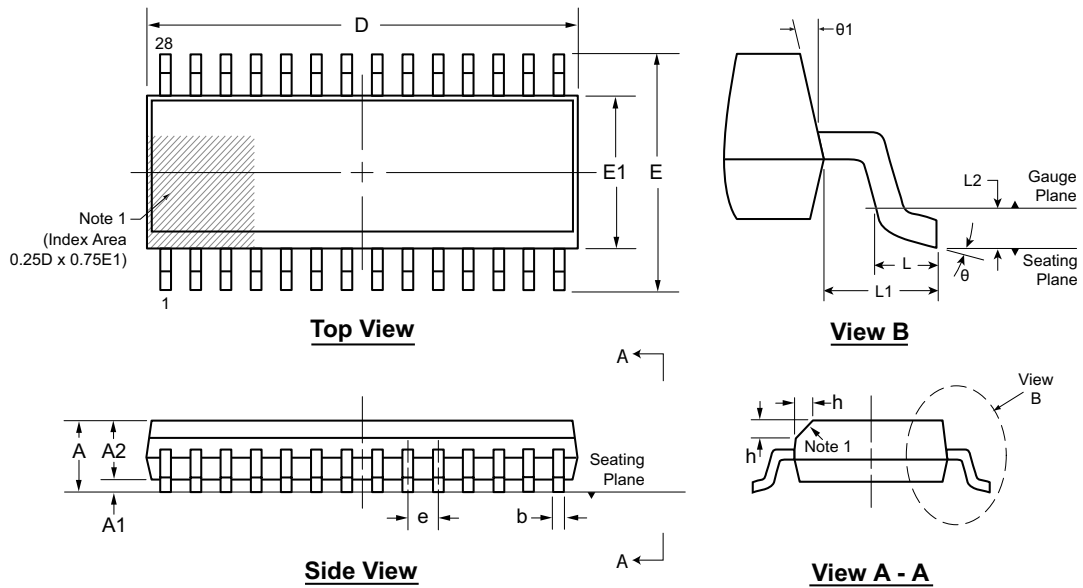
**Notes:**

1. A Pin 1 identifier must be located in the index area indicated. The Pin 1 identifier can be: a molded mark/identifier; an embedded metal marker; or a printed indicator.
2. Actual shape of this feature may vary.

Symbol		A	A1	A2	b	b1	D	D1	E	E1	e	R
Dimension (inches)	MIN	.165	.090	.062	.013	.026	.485	.450	.485	.450	.050 BSC	.025
	NOM	.172	.105	-	-	-	.490	.453	.490	.453		.035
	MAX	.180	.120	.083	.021	.032	.495	.456	.495	.456		.045

JEDEC Registration MS-018, Variation AB, Issue A, June, 1993.  
 Drawings not to scale.

## 28-Lead SOW (Wide Body) Package Outline (WG) 17.90x7.50mm body, 2.65mm height (max), 1.27mm pitch



Note: For the most current package drawings, see the Microchip Packaging Specification at [www.microchip.com/packaging](http://www.microchip.com/packaging).

**Note:**

1. A Pin 1 identifier must be located in the index area indicated. The Pin 1 identifier can be: a molded mark/identifier; an embedded metal marker; or a printed indicator.

Symbol	A	A1	A2	b	D	E	E1	e	h	L	L1	L2	$\theta$	$\theta 1$
Dimension (mm)	MIN	2.15*	0.10	2.05	0.31	17.70*	9.97*	7.40*	0.25	0.40	1.40 REF	0.25 BSC	0°	5°
	NOM	-	-	-	-	17.90	10.30	7.50	-	-			-	-
	MAX	2.65	0.30	2.55*	0.51	18.10*	10.63*	7.60*	0.75	1.27			8°	15°

JEDEC Registration MS-013, Variation AE, Issue E, Sep. 2005.

\* This dimension is not specified in the JEDEC drawing.

Drawings are not to scale.

# HV5812

---

NOTES:

## APPENDIX A: REVISION HISTORY

### Revision A (October 2016)

- Converted Supertex Doc# DSFP-HV5812 to Microchip DS20005629A
- Changed the packaging quantity of 28-lead PLCC (PJ M904) from 500/Reel to 750/Reel and 28-lead SOW (WG) from 1000/Reel to 1600/Reel
- Made minor text changes throughout the document

# HV5812

## PRODUCT IDENTIFICATION SYSTEM

To order or obtain information, e.g., on pricing or delivery, contact your local Microchip representative or sales office.

<u>PART NO.</u>	<u>XX</u>	-	<u>X</u>	-	<u>X</u>
Device	Package Options		Environmental		Media Type
Device:	HV5812	=	20-Channel Serial-Input Vacuum Fluorescent Display Driver for Anode or Grid		
Packages:	P	=	28-lead PDIP		
	PJ	=	28-lead PLCC		
	WG	=	28-lead SOW		
Environmental:	G	=	Lead (Pb)-free/RoHS-compliant Package		
Media Types:	(blank)	=	13/Tube for a P Package		
		=	38/Tube for a PJ Package		
		=	1600/Reel for a WG Package		
	M904	=	750/Reel for a PJ Package		

Examples:	
a) HV5812P-G:	20-Channel Serial-Input Vacuum Fluorescent Display Driver for Anode or Grid, 28-lead PDIP, 13/Tube
b) HV5812PJ-G:	20-Channel Serial-Input Vacuum Fluorescent Display Driver for Anode or Grid, 28-lead PLCC, 38/Tube
c) HV5812PJ-G-M904:	20-Channel Serial-Input Vacuum Fluorescent Display Driver for Anode or Grid, 28-lead PLCC, 750/Reel
d) HV5812WG-G:	20-Channel Serial-Input Vacuum Fluorescent Display Driver for Anode or Grid, 28-lead SOW, 1600/Reel

---

**Note the following details of the code protection feature on Microchip devices:**

- Microchip products meet the specification contained in their particular Microchip Data Sheet.
- Microchip believes that its family of products is one of the most secure families of its kind on the market today, when used in the intended manner and under normal conditions.
- There are dishonest and possibly illegal methods used to breach the code protection feature. All of these methods, to our knowledge, require using the Microchip products in a manner outside the operating specifications contained in Microchip's Data Sheets. Most likely, the person doing so is engaged in theft of intellectual property.
- Microchip is willing to work with the customer who is concerned about the integrity of their code.
- Neither Microchip nor any other semiconductor manufacturer can guarantee the security of their code. Code protection does not mean that we are guaranteeing the product as “unbreakable.”

Code protection is constantly evolving. We at Microchip are committed to continuously improving the code protection features of our products. Attempts to break Microchip's code protection feature may be a violation of the Digital Millennium Copyright Act. If such acts allow unauthorized access to your software or other copyrighted work, you may have a right to sue for relief under that Act.

---

Information contained in this publication regarding device applications and the like is provided only for your convenience and may be superseded by updates. It is your responsibility to ensure that your application meets with your specifications. MICROCHIP MAKES NO REPRESENTATIONS OR WARRANTIES OF ANY KIND WHETHER EXPRESS OR IMPLIED, WRITTEN OR ORAL, STATUTORY OR OTHERWISE, RELATED TO THE INFORMATION, INCLUDING BUT NOT LIMITED TO ITS CONDITION, QUALITY, PERFORMANCE, MERCHANTABILITY OR FITNESS FOR PURPOSE. Microchip disclaims all liability arising from this information and its use. Use of Microchip devices in life support and/or safety applications is entirely at the buyer's risk, and the buyer agrees to defend, indemnify and hold harmless Microchip from any and all damages, claims, suits, or expenses resulting from such use. No licenses are conveyed, implicitly or otherwise, under any Microchip intellectual property rights unless otherwise stated.

*Microchip received ISO/TS-16949:2009 certification for its worldwide headquarters, design and wafer fabrication facilities in Chandler and Tempe, Arizona; Gresham, Oregon and design centers in California and India. The Company's quality system processes and procedures are for its PIC® MCUs and dsPIC® DSCs, KEELOQ® code hopping devices, Serial EEPROMs, microperipherals, nonvolatile memory and analog products. In addition, Microchip's quality system for the design and manufacture of development systems is ISO 9001:2000 certified.*

**QUALITY MANAGEMENT SYSTEM  
CERTIFIED BY DNV  
= ISO/TS 16949 =**

### Trademarks

The Microchip name and logo, the Microchip logo, AnyRate, dsPIC, FlashFlex, flexPWR, Heldo, JukeBlox, KeeLoq, KeeLoq logo, Klear, LANCheck, LINK MD, MediaLB, MOST, MOST logo, MPLAB, OptoLyzer, PIC, PICSTART, PIC32 logo, RightTouch, SpyNIC, SST, SST Logo, SuperFlash and UNI/O are registered trademarks of Microchip Technology Incorporated in the U.S.A. and other countries.

ClockWorks, The Embedded Control Solutions Company, ETHERSYNCH, Hyper Speed Control, HyperLight Load, IntelliMOS, mTouch, Precision Edge, and QUIET-WIRE are registered trademarks of Microchip Technology Incorporated in the U.S.A.

Analog-for-the-Digital Age, Any Capacitor, AnyIn, AnyOut, BodyCom, chipKIT, chipKIT logo, CodeGuard, dsPICDEM, dsPICDEM.net, Dynamic Average Matching, DAM, ECAN, EtherGREEN, In-Circuit Serial Programming, ICSP, Inter-Chip Connectivity, JitterBlocker, KlearNet, KlearNet logo, MiWi, motorBench, MPASM, MPF, MPLAB Certified logo, MPLIB, MPLINK, MultiTRAK, NetDetach, Omniscient Code Generation, PICDEM, PICDEM.net, PICkit, PICtail, PureSilicon, RightTouch logo, REAL ICE, Ripple Blocker, Serial Quad I/O, SQL, SuperSwitcher, SuperSwitcher II, Total Endurance, TSHARC, USBCheck, VariSense, ViewSpan, WiperLock, Wireless DNA, and ZENA are trademarks of Microchip Technology Incorporated in the U.S.A. and other countries.

SQTP is a service mark of Microchip Technology Incorporated in the U.S.A.

Silicon Storage Technology is a registered trademark of Microchip Technology Inc. in other countries.

GestIC is a registered trademarks of Microchip Technology Germany II GmbH & Co. KG, a subsidiary of Microchip Technology Inc., in other countries.

All other trademarks mentioned herein are property of their respective companies.

© 2016, Microchip Technology Incorporated, Printed in the U.S.A., All Rights Reserved.

ISBN: 978-1-5224-0999-1



# MICROCHIP

## Worldwide Sales and Service

### AMERICAS

#### Corporate Office

2355 West Chandler Blvd.  
Chandler, AZ 85224-6199  
Tel: 480-792-7200  
Fax: 480-792-7277  
Technical Support:  
<http://www.microchip.com/support>

Web Address:

[www.microchip.com](http://www.microchip.com)

#### Atlanta

Duluth, GA  
Tel: 678-957-9614  
Fax: 678-957-1455

#### Austin, TX

Tel: 512-257-3370

#### Boston

Westborough, MA  
Tel: 774-760-0087  
Fax: 774-760-0088

#### Chicago

Itasca, IL  
Tel: 630-285-0071  
Fax: 630-285-0075

#### Cleveland

Independence, OH  
Tel: 216-447-0464  
Fax: 216-447-0643

#### Dallas

Addison, TX  
Tel: 972-818-7423  
Fax: 972-818-2924

#### Detroit

Novi, MI  
Tel: 248-848-4000

#### Houston, TX

Tel: 281-894-5983

#### Indianapolis

Noblesville, IN  
Tel: 317-773-8323  
Fax: 317-773-5453

#### Los Angeles

Mission Viejo, CA  
Tel: 949-462-9523  
Fax: 949-462-9608

#### New York, NY

Tel: 631-435-6000

#### San Jose, CA

Tel: 408-735-9110

#### Canada - Toronto

Tel: 905-695-1980  
Fax: 905-695-2078

### ASIA/PACIFIC

#### Asia Pacific Office

Suites 3707-14, 37th Floor  
Tower 6, The Gateway  
Harbour City, Kowloon

#### Hong Kong

Tel: 852-2943-5100  
Fax: 852-2401-3431

#### Australia - Sydney

Tel: 61-2-9868-6733  
Fax: 61-2-9868-6755

#### China - Beijing

Tel: 86-10-8569-7000  
Fax: 86-10-8528-2104

#### China - Chengdu

Tel: 86-28-8665-5511  
Fax: 86-28-8665-7889

#### China - Chongqing

Tel: 86-23-8980-9588  
Fax: 86-23-8980-9500

#### China - Dongguan

Tel: 86-769-8702-9880

#### China - Guangzhou

Tel: 86-20-8755-8029

#### China - Hangzhou

Tel: 86-571-8792-8115  
Fax: 86-571-8792-8116

#### China - Hong Kong SAR

Tel: 852-2943-5100  
Fax: 852-2401-3431

#### China - Nanjing

Tel: 86-25-8473-2460  
Fax: 86-25-8473-2470

#### China - Qingdao

Tel: 86-532-8502-7355  
Fax: 86-532-8502-7205

#### China - Shanghai

Tel: 86-21-5407-5533  
Fax: 86-21-5407-5066

#### China - Shenyang

Tel: 86-24-2334-2829  
Fax: 86-24-2334-2393

#### China - Shenzhen

Tel: 86-755-8864-2200  
Fax: 86-755-8203-1760

#### China - Wuhan

Tel: 86-27-5980-5300  
Fax: 86-27-5980-5118

#### China - Xian

Tel: 86-29-8833-7252  
Fax: 86-29-8833-7256

### ASIA/PACIFIC

#### China - Xiamen

Tel: 86-592-2388138  
Fax: 86-592-2388130

#### China - Zhuhai

Tel: 86-756-3210040  
Fax: 86-756-3210049

#### India - Bangalore

Tel: 91-80-3090-4444  
Fax: 91-80-3090-4123

#### India - New Delhi

Tel: 91-11-4160-8631  
Fax: 91-11-4160-8632

#### India - Pune

Tel: 91-20-3019-1500

#### Japan - Osaka

Tel: 81-6-6152-7160  
Fax: 81-6-6152-9310

#### Japan - Tokyo

Tel: 81-3-6880-3770  
Fax: 81-3-6880-3771

#### Korea - Daegu

Tel: 82-53-744-4301  
Fax: 82-53-744-4302

#### Korea - Seoul

Tel: 82-2-554-7200  
Fax: 82-2-558-5932 or  
82-2-558-5934

#### Malaysia - Kuala Lumpur

Tel: 60-3-6201-9857  
Fax: 60-3-6201-9859

#### Malaysia - Penang

Tel: 60-4-227-8870  
Fax: 60-4-227-4068

#### Philippines - Manila

Tel: 63-2-634-9065  
Fax: 63-2-634-9069

#### Singapore

Tel: 65-6334-8870  
Fax: 65-6334-8850

#### Taiwan - Hsin Chu

Tel: 886-3-5778-366  
Fax: 886-3-5770-955

#### Taiwan - Kaohsiung

Tel: 886-7-213-7828

#### Taiwan - Taipei

Tel: 886-2-2508-8600  
Fax: 886-2-2508-0102

#### Thailand - Bangkok

Tel: 66-2-694-1351  
Fax: 66-2-694-1350

### EUROPE

#### Austria - Wels

Tel: 43-7242-2244-39  
Fax: 43-7242-2244-393

#### Denmark - Copenhagen

Tel: 45-4450-2828  
Fax: 45-4485-2829

#### France - Paris

Tel: 33-1-69-53-63-20  
Fax: 33-1-69-30-90-79

#### Germany - Dusseldorf

Tel: 49-2129-3766400

#### Germany - Karlsruhe

Tel: 49-721-625370

#### Germany - Munich

Tel: 49-89-627-144-0  
Fax: 49-89-627-144-44

#### Italy - Milan

Tel: 39-0331-742611  
Fax: 39-0331-466781

#### Italy - Venice

Tel: 39-049-7625286

#### Netherlands - Drunen

Tel: 31-416-690399  
Fax: 31-416-690340

#### Poland - Warsaw

Tel: 48-22-3325737

#### Spain - Madrid

Tel: 34-91-708-08-90  
Fax: 34-91-708-08-91

#### Sweden - Stockholm

Tel: 46-8-5090-4654

#### UK - Wokingham

Tel: 44-118-921-5800  
Fax: 44-118-921-5820

06/23/16