



MICROCHIP

MCP9902
Temperature Sensor
Evaluation Board
User's Guide

Note the following details of the code protection feature on Microchip devices:

- Microchip products meet the specification contained in their particular Microchip Data Sheet.
- Microchip believes that its family of products is one of the most secure families of its kind on the market today, when used in the intended manner and under normal conditions.
- There are dishonest and possibly illegal methods used to breach the code protection feature. All of these methods, to our knowledge, require using the Microchip products in a manner outside the operating specifications contained in Microchip's Data Sheets. Most likely, the person doing so is engaged in theft of intellectual property.
- Microchip is willing to work with the customer who is concerned about the integrity of their code.
- Neither Microchip nor any other semiconductor manufacturer can guarantee the security of their code. Code protection does not mean that we are guaranteeing the product as "unbreakable."

Code protection is constantly evolving. We at Microchip are committed to continuously improving the code protection features of our products. Attempts to break Microchip's code protection feature may be a violation of the Digital Millennium Copyright Act. If such acts allow unauthorized access to your software or other copyrighted work, you may have a right to sue for relief under that Act.

Information contained in this publication regarding device applications and the like is provided only for your convenience and may be superseded by updates. It is your responsibility to ensure that your application meets with your specifications. MICROCHIP MAKES NO REPRESENTATIONS OR WARRANTIES OF ANY KIND WHETHER EXPRESS OR IMPLIED, WRITTEN OR ORAL, STATUTORY OR OTHERWISE, RELATED TO THE INFORMATION, INCLUDING BUT NOT LIMITED TO ITS CONDITION, QUALITY, PERFORMANCE, MERCHANTABILITY OR FITNESS FOR PURPOSE. Microchip disclaims all liability arising from this information and its use. Use of Microchip devices in life support and/or safety applications is entirely at the buyer's risk, and the buyer agrees to defend, indemnify and hold harmless Microchip from any and all damages, claims, suits, or expenses resulting from such use. No licenses are conveyed, implicitly or otherwise, under any Microchip intellectual property rights unless otherwise stated.

Trademarks

The Microchip name and logo, the Microchip logo, dsPIC, FlashFlex, flexPWR, JukeBlox, KEELOQ, KEELOQ logo, Kleer, LANCheck, MediaLB, MOST, MOST logo, MPLAB, OptoLyzer, PIC, PICSTART, PIC³² logo, RightTouch, SpyNIC, SST, SST Logo, SuperFlash and UNI/O are registered trademarks of Microchip Technology Incorporated in the U.S.A. and other countries.

The Embedded Control Solutions Company and mTouch are registered trademarks of Microchip Technology Incorporated in the U.S.A.

Analog-for-the-Digital Age, BodyCom, chipKIT, chipKIT logo, CodeGuard, dsPICDEM, dsPICDEM.net, ECAN, In-Circuit Serial Programming, ICSP, Inter-Chip Connectivity, KleerNet, KleerNet logo, MiWi, motorBench, MPASM, MPF, MPLAB Certified logo, MPLIB, MPLINK, MultiTRAK, NetDetach, Omniscient Code Generation, PICDEM, PICDEM.net, PICkit, PICtail, RightTouch logo, REAL ICE, SQI, Serial Quad I/O, Total Endurance, TSHARC, USBCheck, VariSense, ViewSpan, WiperLock, Wireless DNA, and ZENA are trademarks of Microchip Technology Incorporated in the U.S.A. and other countries.

SQTP is a service mark of Microchip Technology Incorporated in the U.S.A.

Silicon Storage Technology is a registered trademark of Microchip Technology Inc. in other countries.

GestIC is a registered trademark of Microchip Technology Germany II GmbH & Co. KG, a subsidiary of Microchip Technology Inc., in other countries.

All other trademarks mentioned herein are property of their respective companies.

© 2014-2015, Microchip Technology Incorporated, Printed in the U.S.A., All Rights Reserved.

ISBN: 978-1-63277-795-9

QUALITY MANAGEMENT SYSTEM
CERTIFIED BY DNV
== ISO/TS 16949 ==

Microchip received ISO/TS-16949:2009 certification for its worldwide headquarters, design and wafer fabrication facilities in Chandler and Tempe, Arizona; Gresham, Oregon and design centers in California and India. The Company's quality system processes and procedures are for its PIC[®] MCUs and dsPIC[®] DSCs, KEELOQ[®] code hopping devices, Serial EEPROMs, microperipherals, nonvolatile memory and analog products. In addition, Microchip's quality system for the design and manufacture of development systems is ISO 9001:2000 certified.

Object of Declaration: MCP9902 Temperature Sensor Evaluation Board

EU Declaration of Conformity

Manufacturer: Microchip Technology Inc.
2355 W. Chandler Blvd.
Chandler, Arizona, 85224-6199
USA

This declaration of conformity is issued by the manufacturer.

The development/evaluation tool is designed to be used for research and development in a laboratory environment. This development/evaluation tool is not a Finished Appliance, nor is it intended for incorporation into Finished Appliances that are made commercially available as single functional units to end users under EU EMC Directive 2004/108/EC and as supported by the European Commission's Guide for the EMC Directive 2004/108/EC (8th February 2010).

This development/evaluation tool complies with EU RoHS2 Directive 2011/65/EU.

This development/evaluation tool, when incorporating wireless and radio-telecom functionality, is in compliance with the essential requirement and other relevant provisions of the R&TTE Directive 1999/5/EC and the FCC rules as stated in the declaration of conformity provided in the module datasheet and the module product page available at www.microchip.com.

For information regarding the exclusive, limited warranties applicable to Microchip products, please see Microchip's standard terms and conditions of sale, which are printed on our sales documentation and available at www.microchip.com.

Signed for and on behalf of Microchip Technology Inc. at Chandler, Arizona, USA


Derek Carlson
VP Development Tools

12-Sep-14
Date

MCP9902 Temperature Sensor Evaluation Board User's Guide

NOTES:



MCP9902 TEMPERATURE SENSOR EVALUATION BOARD USER'S GUIDE

Table of Contents

Preface	7
Introduction.....	7
Document Layout	7
Conventions Used in this Guide	8
Recommended Reading.....	9
The Microchip Web Site	9
Customer Support	9
Document Revision History	9
Chapter 1. Product Overview	
1.1 Introduction	11
1.2 MCP9902 Device Features	11
1.3 What is the MCP9902 Temperature Sensor Evaluation Board?	11
1.4 What does the MCP9902 Temperature Sensor Evaluation Board Kit Contain?	12
Chapter 2. Installation and Operation	
2.1 Getting Started	13
Chapter 3. Hardware Description	
3.1 Introduction	21
3.2 USB-to-I ² C/SMBus Bridge	21
3.3 Resistance Error Correction (REC)	21
3.4 Test Points	21
3.5 LED Indicators	22
3.6 Remote Diodes	22
3.7 Other Sensor Features	22
Chapter 4. Software Description	
4.1 Chip Manager Application Overview	23
Appendix A. Schematic and Layouts	
A.1 Introduction	27
A.2 Board – MCP9902 and Interface Schematic	28
A.3 Board – USB-to-SMBus Bridge Schematic	29
A.4 Board – Top Silk	30
A.5 Board – Top Copper and Silk	30
A.6 Board – Top Copper	31
A.7 Board – Bottom Copper	31
A.8 Board – Bottom Copper and Silk	32
A.9 Board – Bottom Silk	32
Appendix B. Bill of Materials (BOM)	
Worldwide Sales and Service	36

MCP9902 Temperature Sensor Evaluation Board User's Guide

NOTES:



MCP9902 TEMPERATURE SENSOR EVALUATION BOARD USER'S GUIDE

Preface

NOTICE TO CUSTOMERS

All documentation becomes dated, and this manual is no exception. Microchip tools and documentation are constantly evolving to meet customer needs, so some actual dialogs and/or tool descriptions may differ from those in this document. Please refer to our web site (www.microchip.com) to obtain the latest documentation available.

Documents are identified with a “DS” number. This number is located on the bottom of each page, in front of the page number. The numbering convention for the DS number is “DSXXXXXXXXA”, where “XXXXXXXX” is the document number and “A” is the revision level of the document.

For the most up-to-date information on development tools, see the MPLAB® IDE online help. Select the Help menu, and then Topics to open a list of available online help files.

INTRODUCTION

This chapter contains general information that will be useful to know before using the MCP9902 Temperature Sensor Evaluation Board. Items discussed in this chapter include:

- [Document Layout](#)
- [Conventions Used in this Guide](#)
- [Recommended Reading](#)
- [The Microchip Web Site](#)
- [Customer Support](#)
- [Document Revision History](#)

DOCUMENT LAYOUT

This document describes how to use the MCP9902 Temperature Sensor Evaluation Board as a development tool to emulate and debug firmware on a target board. The manual layout is as follows:

- **Chapter 1. “Product Overview”** – Important information about the MCP9902 Temperature Sensor Evaluation Board.
- **Chapter 2. “Installation and Operation”** – Includes instructions on installing and starting the Microchip Technology Incorporated Chip Manager application.
- **Chapter 3. “Hardware Description”** – Shows hardware details of the MCP9902 Temperature Sensor Evaluation Board.
- **Chapter 4. “Software Description”** – Describes the main operations in the Microchip Chip Manager software.
- **Appendix A. “Schematic and Layouts”** – Shows the schematic and layout diagrams for the MCP9902 Temperature Sensor Evaluation Board.
- **Appendix B. “Bill of Materials (BOM)”** – Lists the parts used to build the MCP9902 Temperature Sensor Evaluation Board.

MCP9902 Temperature Sensor Evaluation Board User's Guide

CONVENTIONS USED IN THIS GUIDE

This manual uses the following documentation conventions:

DOCUMENTATION CONVENTIONS

Description	Represents	Examples
Arial font:		
Italic characters	Referenced books	<i>MPLAB[®] IDE User's Guide</i>
	Emphasized text	...is the <i>only</i> compiler...
Initial caps	A window	the Output window
	A dialog	the Settings dialog
	A menu selection	select Enable Programmer
Quotes	A field name in a window or dialog	"Save project before build"
Underlined, italic text with right angle bracket	A menu path	<u><i>File>Save</i></u>
Bold characters	A dialog button	Click OK
	A tab	Click the Power tab
N'Rnnnn	A number in verilog format, where N is the total number of digits, R is the radix and n is a digit.	4'b0010, 2'hF1
Text in angle brackets < >	A key on the keyboard	Press <Enter>, <F1>
Courier New font:		
Plain Courier New	Sample source code	#define START
	Filenames	autoexec.bat
	File paths	c:\mcc18\h
	Keywords	_asm, _endasm, static
	Command-line options	-Opa+, -Opa-
	Bit values	0, 1
	Constants	0xFF, 'A'
Italic Courier New	A variable argument	<i>file.o</i> , where <i>file</i> can be any valid filename
Square brackets []	Optional arguments	mcc18 [options] <i>file</i> [options]
Curly brackets and pipe character: { }	Choice of mutually exclusive arguments; an OR selection	errorlevel {0 1}
Ellipses...	Replaces repeated text	var_name [, var_name...]
	Represents code supplied by user	void main (void) { ... }

RECOMMENDED READING

This user's guide describes how to use the MCP9902 Temperature Sensor Evaluation Board. Other useful documents are listed below. The following Microchip documents are available and recommended as supplemental reference resources.

- **MCP990X Data Sheet – “MCP990X Multi-Channel Low-Temperature Remote Diode Sensor” (DS20005382)**
- **AN10.14 – “Using Temperature-Sensing Diodes with Remote Thermal Sensors” (DS00001839)**
- **AN12.14 – “Remote Thermal Sensing Diode Selection Guide” (DS00001838)**
- **AN13.19 – “Resistance Error Correction” (DS00001852)**
- **AN14.0 – “Microchip Dedicated Slave Devices in μ C Systems” (DS00001853)**

THE MICROCHIP WEB SITE

Microchip provides online support via our web site at <http://www.microchip.com>. This web site is used as a means to make files and information easily available to customers. Accessible by using your favorite Internet browser, the web site contains the following information:

- **Product Support** – Data sheets and errata, application notes and sample programs, design resources, user's guides and hardware support documents, latest software releases and archived software
- **General Technical Support** – Frequently Asked Questions (FAQs), technical support requests, online discussion groups, Microchip consultant program member listing
- **Business of Microchip** – Product selector and ordering guides, latest Microchip press releases, listing of seminars and events, listings of Microchip sales offices, distributors and factory representatives

CUSTOMER SUPPORT

Users of Microchip products can receive assistance through several channels:

- Distributor or Representative
- Local Sales Office
- Field Application Engineer (FAE)
- Technical Support

Customers should contact their distributor, representative or field application engineer (FAE) for support. Local sales offices are also available to help customers. A listing of sales offices and locations is included in the back of this document.

Technical support is available through the web site at:
<http://www.microchip.com/support>.

DOCUMENT REVISION HISTORY

Revision B (December 2015)

The following is the list of modifications:

- Updated software installation print screens in section [Section 2.1.2 “Installing the Evaluation Board”](#) to match the latest version.

Revision A (March 2015)

- Initial release of this document.

MCP9902 Temperature Sensor Evaluation Board User's Guide

NOTES:



MCP9902 TEMPERATURE SENSOR EVALUATION BOARD USER'S GUIDE

Chapter 1. Product Overview

1.1 INTRODUCTION

The MCP9902 Temperature Sensor Evaluation Board provides an easily-accessible platform to test the various features of the MCP9902. The System Management Bus (SMBus) communication is accomplished using a Universal Serial Bus (USB) bridge, providing a standard interface for the application code interface. The board is populated with an 8-Lead 2x2 WDFN version of the MCP9902 device.

1.2 MCP9902 DEVICE FEATURES

The MCP9902 device is a two-channel SMBus temperature sensor featuring both pin-selectable and fixed SMBus address capability. The communications bus is also compatible with I²C communication protocol.

Note: Refer to Microchip application note AN14.0 - "Microchip Dedicated Slave Devices in I2C Systems" (DS00001853) for details on the differences between the Microchip SMBus implementation and standard I2C/SMBus.

One externally connected temperature diode and one internal diode are available for temperature sensing. THERM and ALERT# outputs have programmable temperature limits.

1.3 WHAT IS THE MCP9902 TEMPERATURE SENSOR EVALUATION BOARD?

All functions of the MCP9902 device can be tested and observed using the USB-based MCP9902 Temperature Sensor Evaluation Board. [Figure 1-1](#) shows the block diagram of this board.

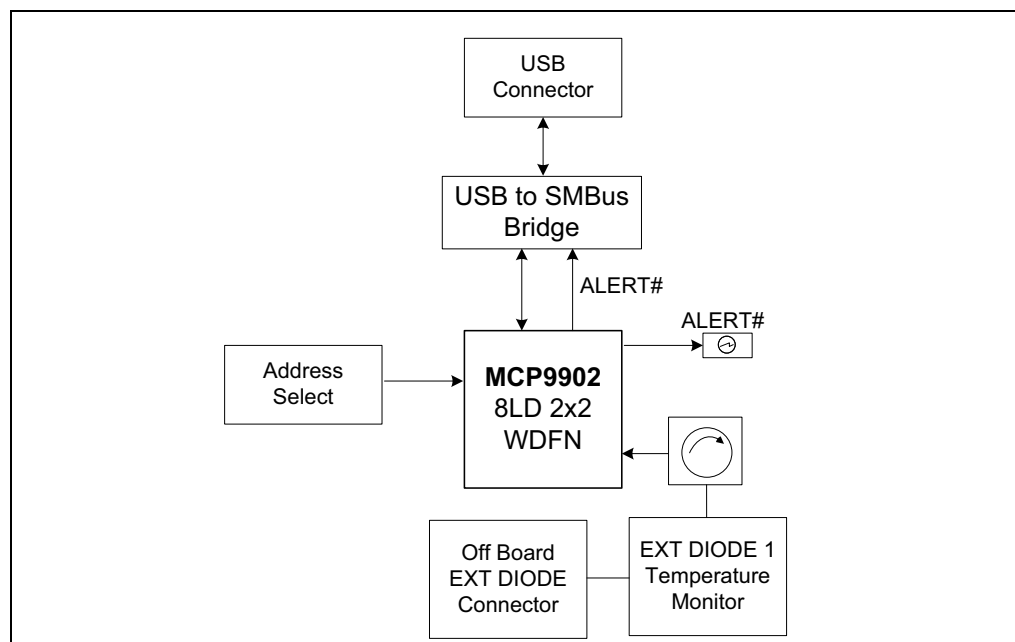


FIGURE 1-1: MCP9902 Temperature Sensor Evaluation Board Block Diagram.

MCP9902 Temperature Sensor Evaluation Board User's Guide

The evaluation system is comprised of the MCP9902 Temperature Sensor Evaluation Board and the Microchip Chip Manager application. The MCP9902 Temperature Sensor Evaluation Board has the following features:

- Headers for connecting an external diode or CPU/GPU
- Resistance Error Correction verification using an on-board potentiometer
- USB-to-SMBus bridge for power and communications

The user can perform the following operations using the Chip Manager:

- Viewing and changing register values
- Saving settings of all registers, allowing for quick configuration at a later time
- Graphing of any register

The evaluation board was designed for ease of use and experimentation purposes.

Figure 1-2 shows the top silk screen of the MCP9902 Temperature Sensor Evaluation Board.

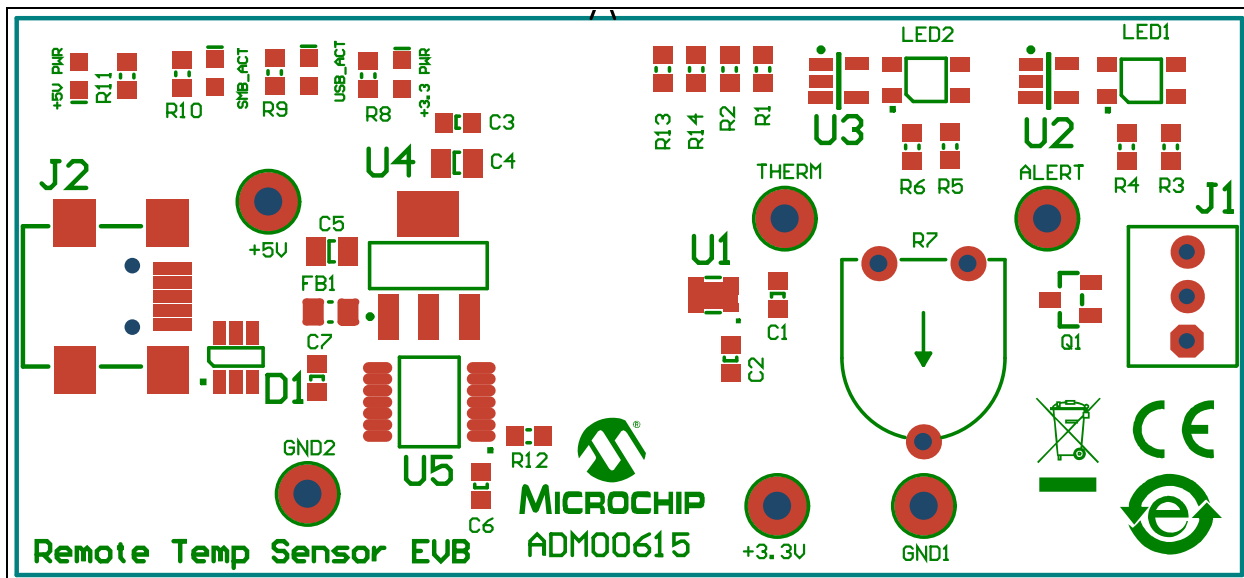


FIGURE 1-2: MCP9902 Temperature Sensor Evaluation Board – Top Silk Screen.

1.4 WHAT DOES THE MCP9902 TEMPERATURE SENSOR EVALUATION BOARD KIT CONTAIN?

This MCP9902 Temperature Sensor Evaluation Board kit includes:

- MCP9902 Temperature Sensor Evaluation Board (ADM00615)
- USB to Micro-USB cable
- Important Information Sheet



MCP9902 TEMPERATURE SENSOR EVALUATION BOARD USER'S GUIDE

Chapter 2. Installation and Operation

2.1 GETTING STARTED

2.1.1 System Requirements

To use the MCP9902 Temperature Sensor Evaluation Board, the following are required:

- A PC running the Microsoft® Windows® operating system
- A display resolution of 800x600 or larger, for viewing several windows simultaneously
- An available USB port

2.1.2 Installing the Evaluation Board

Follow the next steps to install the Microchip Chip Manager.

1. Before installing and running Chip Manager, the MCP2221 driver and utility package needs to be installed on the local machine. If the driver and utility package have already been installed, this step may be skipped. The MCP2221 driver and utility package are located at: <http://www.microchip.com/wwwproducts/Devices.aspx?product=MCP2221>, under "Documentation & Software". Follow the on-screen instructions to complete the installation process.
2. Download the Chip Manager from the board web page. Unzip the archive. The application's revision history and install/uninstall notes may be found in the `readme.txt` file.
3. To install the Chip Manager application and the device driver on the PC, run `ChipMan-windows-installer.exe` file.
4. Connect the supplied USB cable to an available USB port on the PC. Plug the mini-B end of the USB cable into the board connector J2. The +5V PWR, +3.3V PWR, and USB_ACT LEDs should illuminate.
5. If the USB Bridge driver has not previously been installed on the selected USB port, the Driver Software Installation window pops up, prompting for the driver install (see [Figure 2-1](#)).

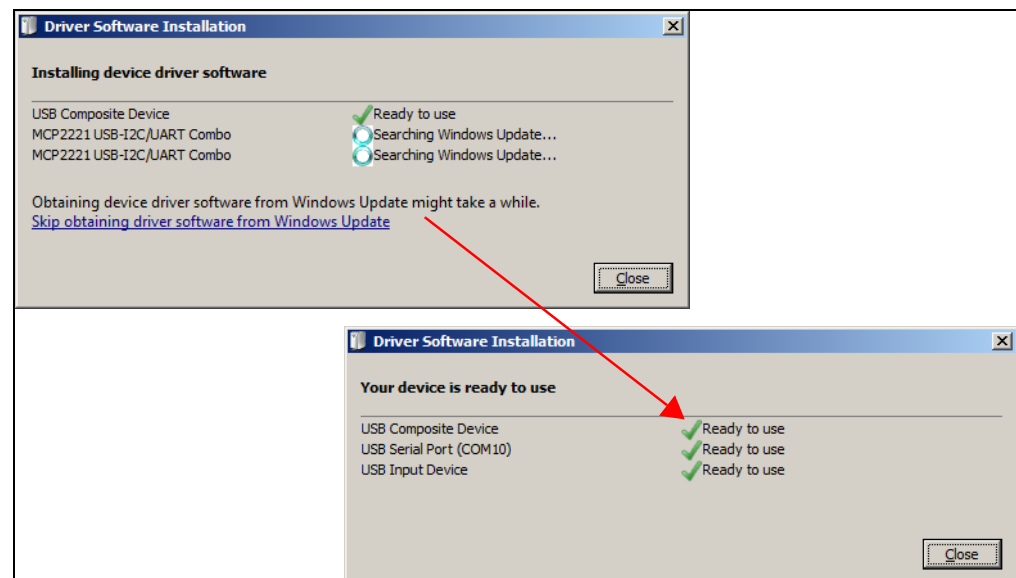


FIGURE 2-1: Driver Software Installation Window.

MCP9902 Temperature Sensor Evaluation Board User's Guide

6. After the driver installation is complete, the initial setup screen for the Chip Manager application appears (see [Figure 2-2](#)). Click **Next** to start the installation.

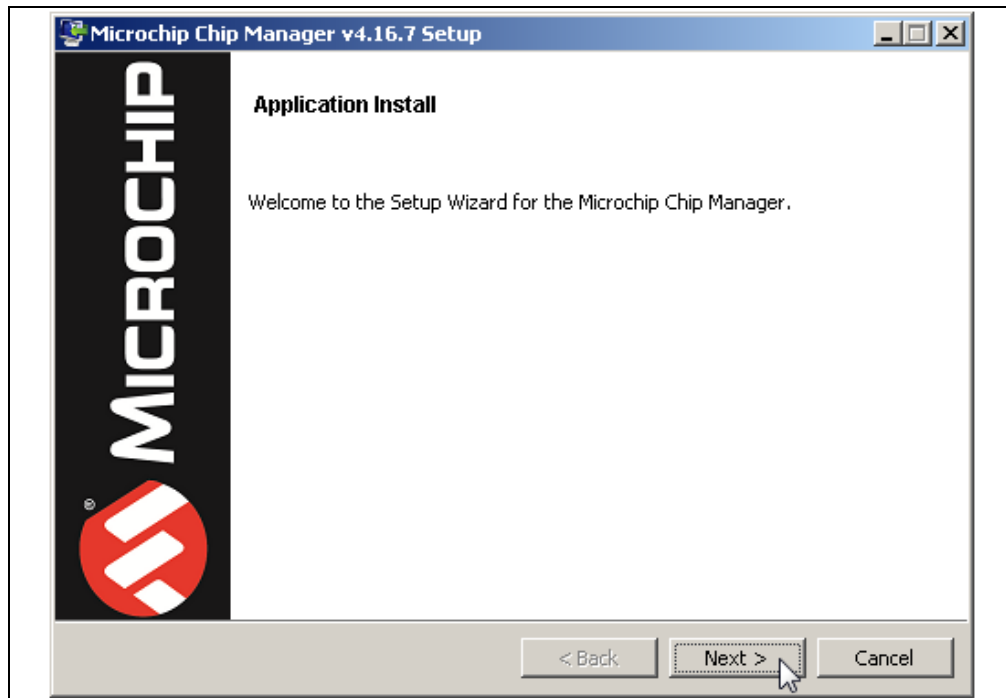


FIGURE 2-2: Application Install Window.

7. To proceed with the installation, read the License Agreement and accept by clicking the radio button corresponding to "I accept the agreement" then click **Next**.

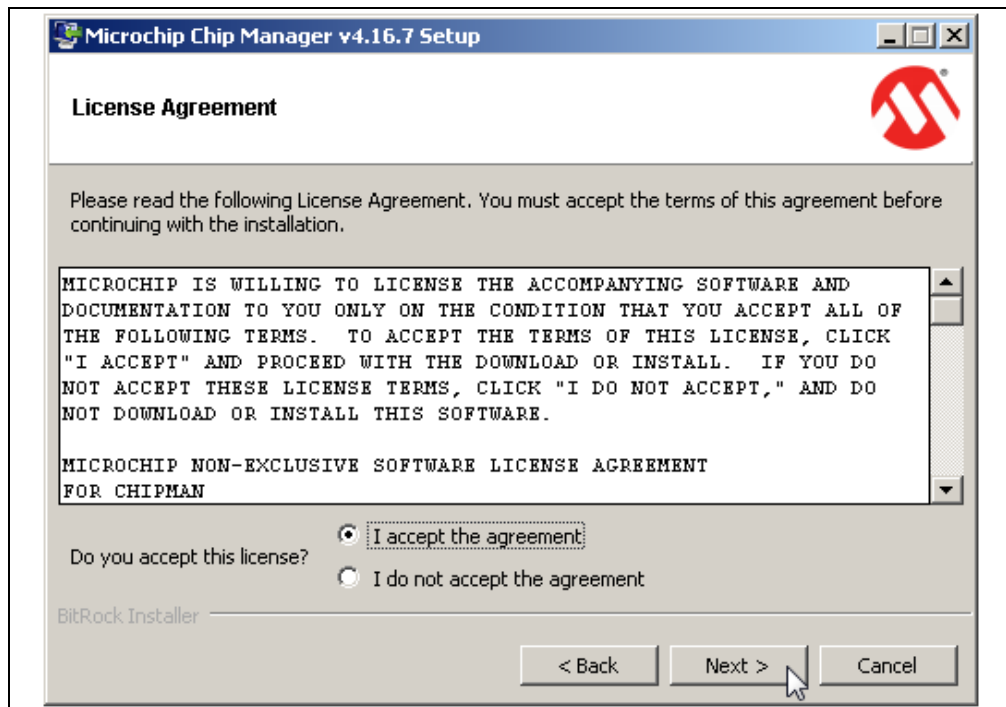


FIGURE 2-3: License Agreement Dialog.

- On the Installation Directory dialog, browse for the desired location or click **Next** to install in the default location (see [Figure 2-4](#)).

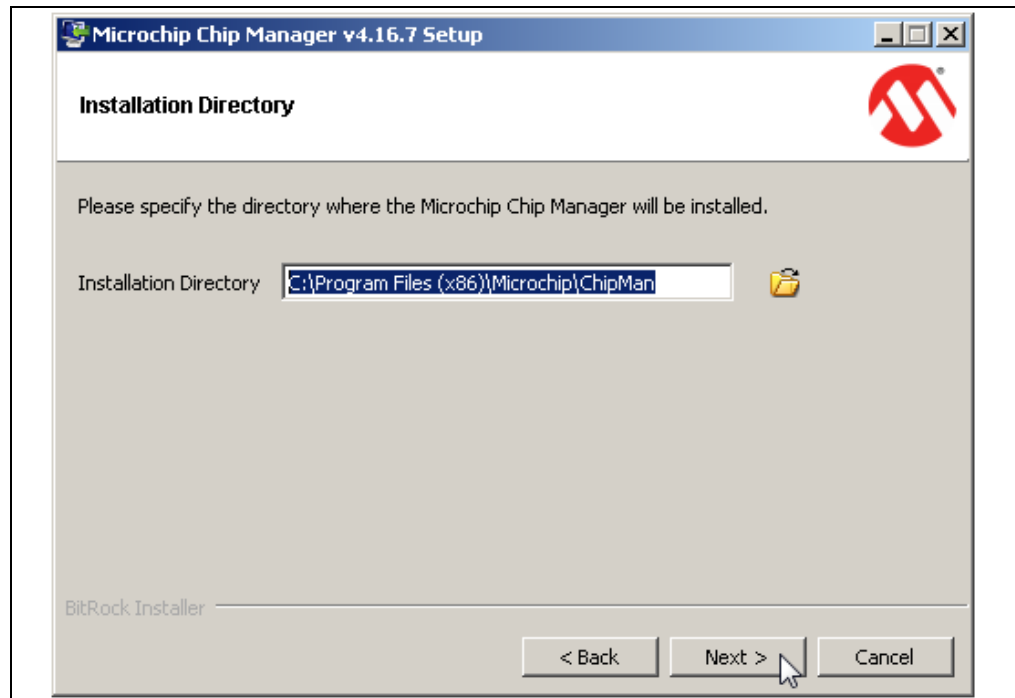


FIGURE 2-4: *Installation Directory Dialog.*

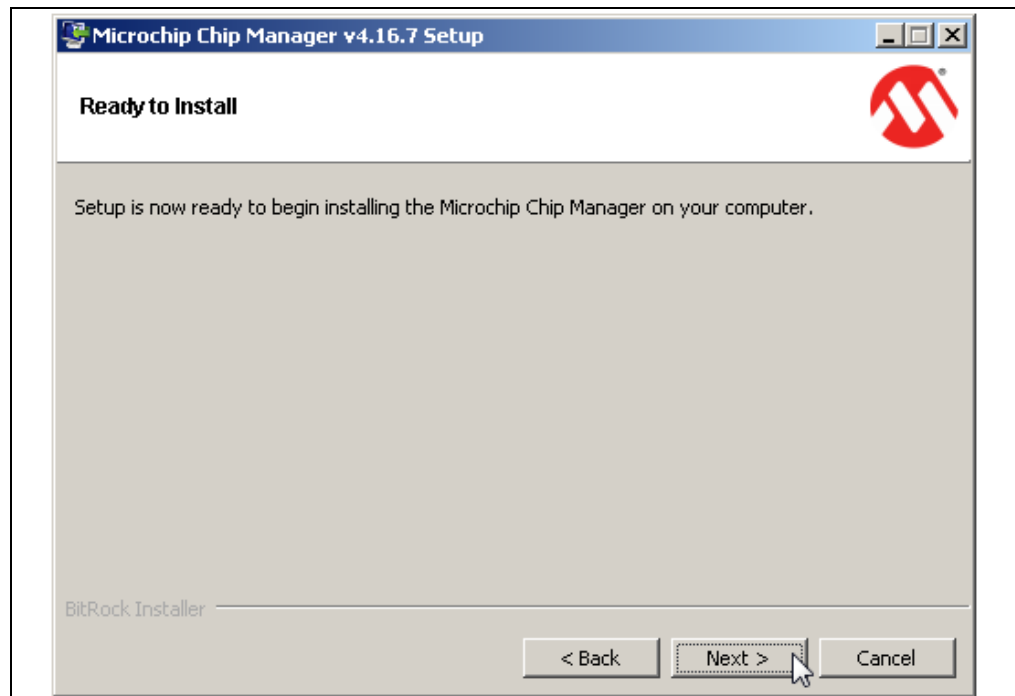


FIGURE 2-5: *Ready to Install Dialog.*

MCP9902 Temperature Sensor Evaluation Board User's Guide

- The application setup window appears, showing the installation progress (see [Figure 2-6](#)).

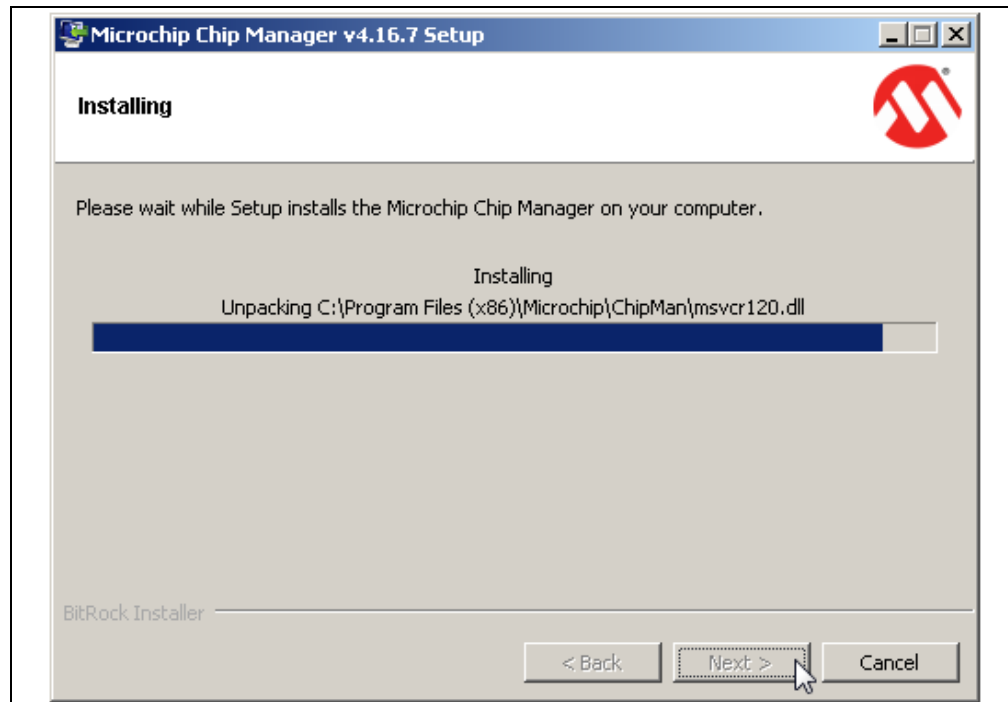


FIGURE 2-6: Setup Window – Installation Progress.

- After the setup is complete, the MSXML Parser used by the Chip Manager software is installed, as shown in [Figure 2-7](#).

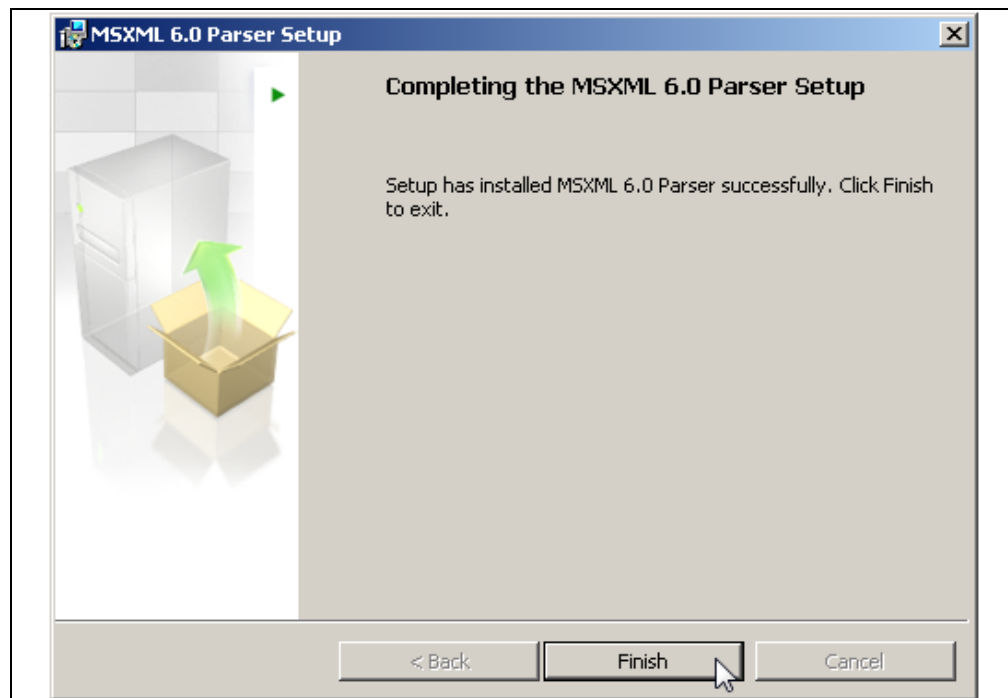



FIGURE 2-7: MSXML Parser Setup Window.

11. Once the setup completes successfully, press **Finish** to exit the installer (see [Figure 2-8](#)).



FIGURE 2-8: *Install Complete Dialog.*

12. Start the software by either going to Windows *Start button > All Programs > Microchip > Microchip Chip Manager* or by clicking the software icon () on the desktop. The evaluation board software will initialize while the Microchip Chip Manager with the Quick Help screen appears (see [Figure 2-9](#)).

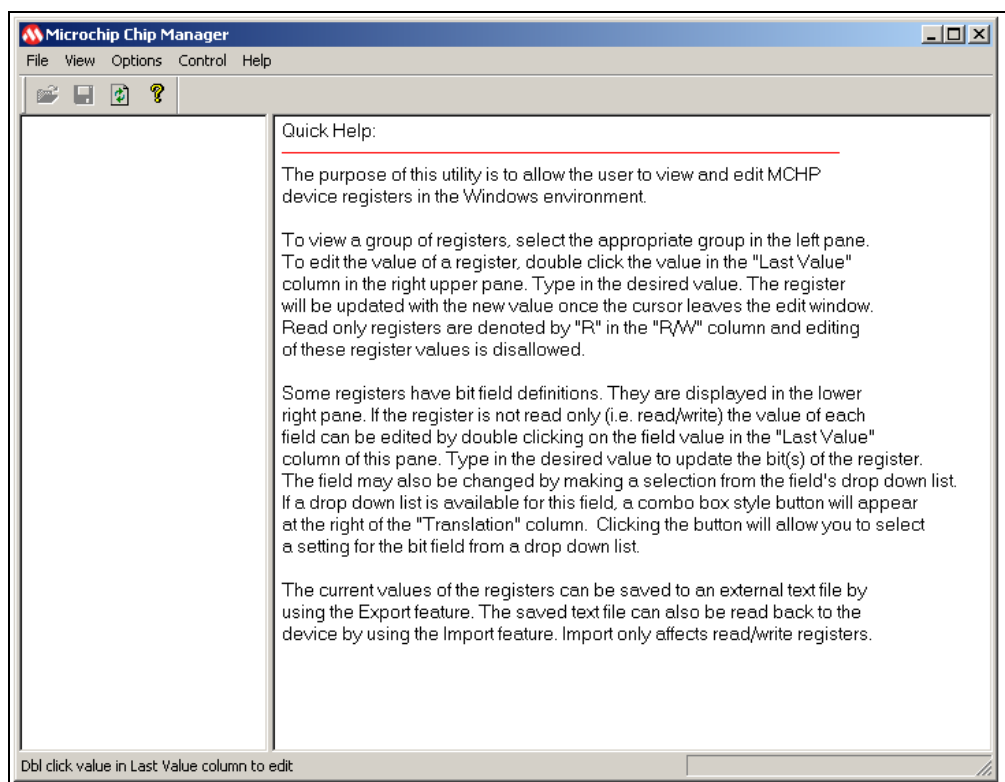


FIGURE 2-9: *Microchip Chip Manager – Quick Help Window.*

MCP9902 Temperature Sensor Evaluation Board User's Guide

13. If a message stating that no device has been selected appears, click **Yes** to select a device. Alternatively, go to the Chip Manager's main menu, select Options > Select Device. In either case, the Select Device window displays, as shown in [Figure 2-10](#).

In the "Device" list of the "Select Device" window, choose "MCP9902". The "Master Controller" drop-down list should highlight "USB SMBus Bridge". Click **OK** to complete the device selection.

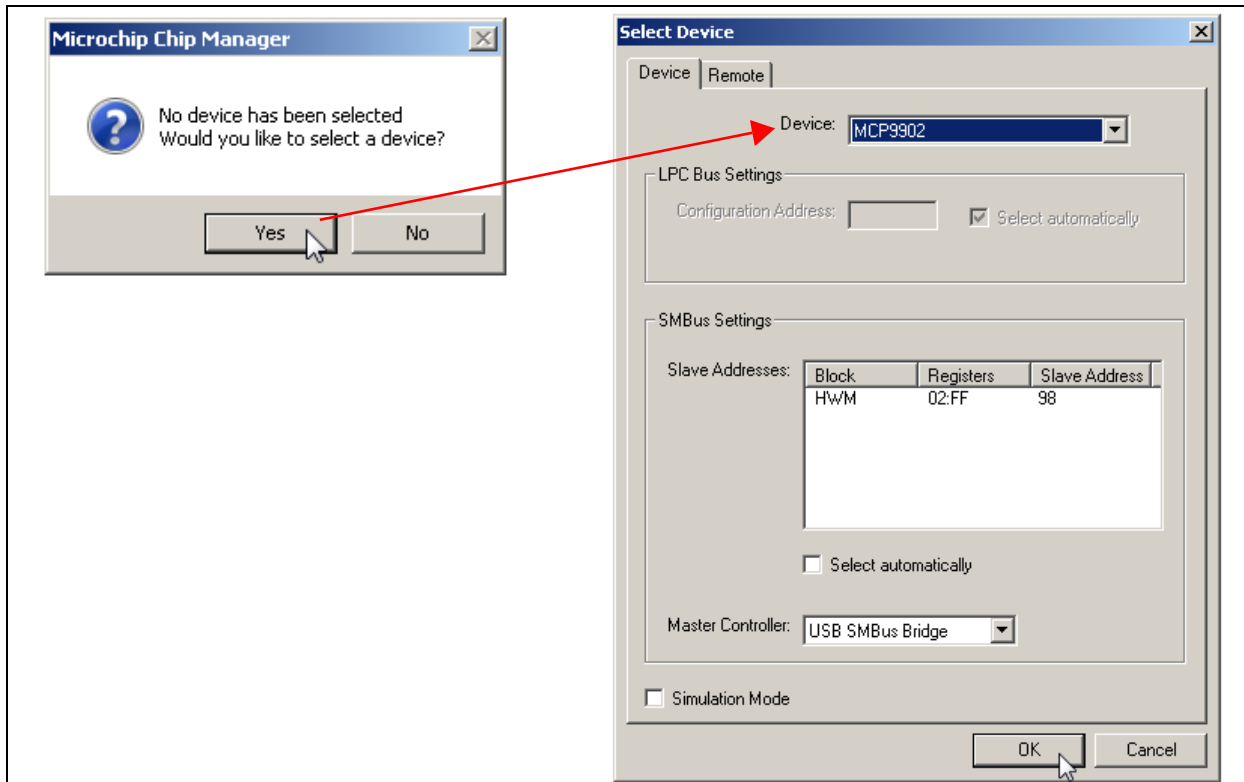


FIGURE 2-10: Select Device Window.

Installation and Operation

14. From the Chip Manager main menu, ensure that *Options > Auto Refresh Registers* is checked. In the left panel, click the hardware monitor “HWM” to expand the content, then select any of the register groups, as shown in [Figure 2-11](#). The SMB_ACT LED on the board starts blinking when any of the register groups are selected. The register values are automatically updated every second when the Auto Refresh option is on.

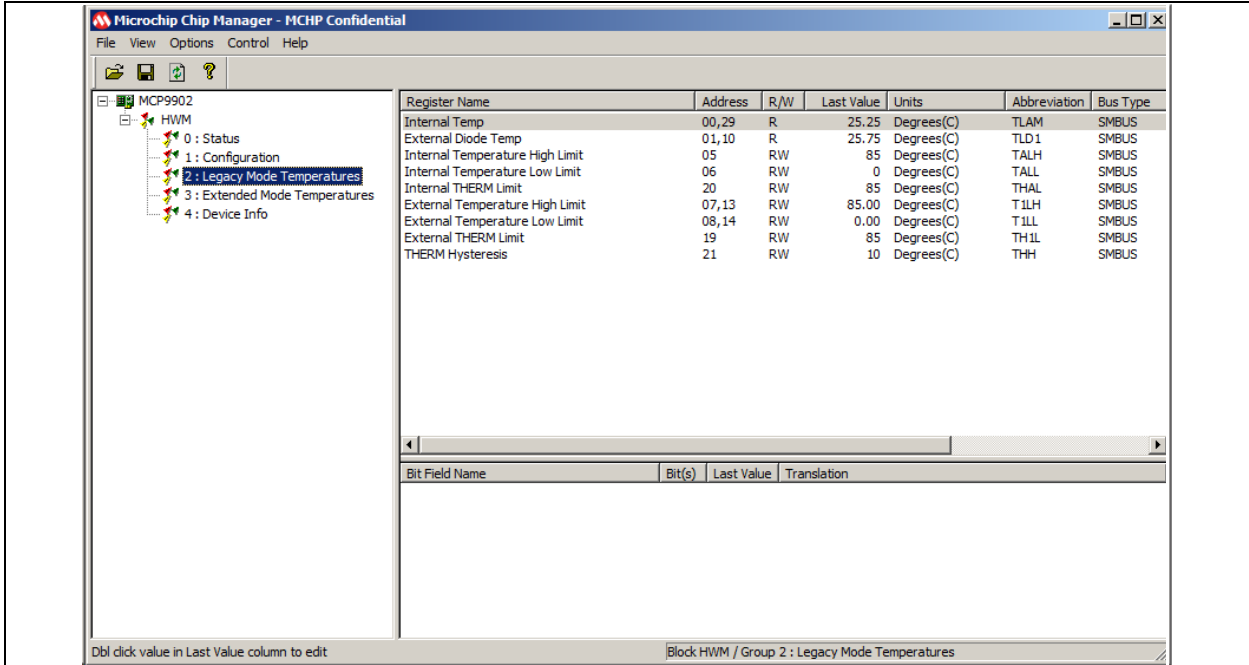


FIGURE 2-11: Chip Manager – Register Groups.

15. To reveal the register descriptions in Chip Manager, highlight “Configuration” as shown in [Figure 2-12](#). The “Bit Field Name” and “Translation” will be shown in the Chip Manager window. For a detailed description of each register, please refer to the MCP990X Data Sheet.

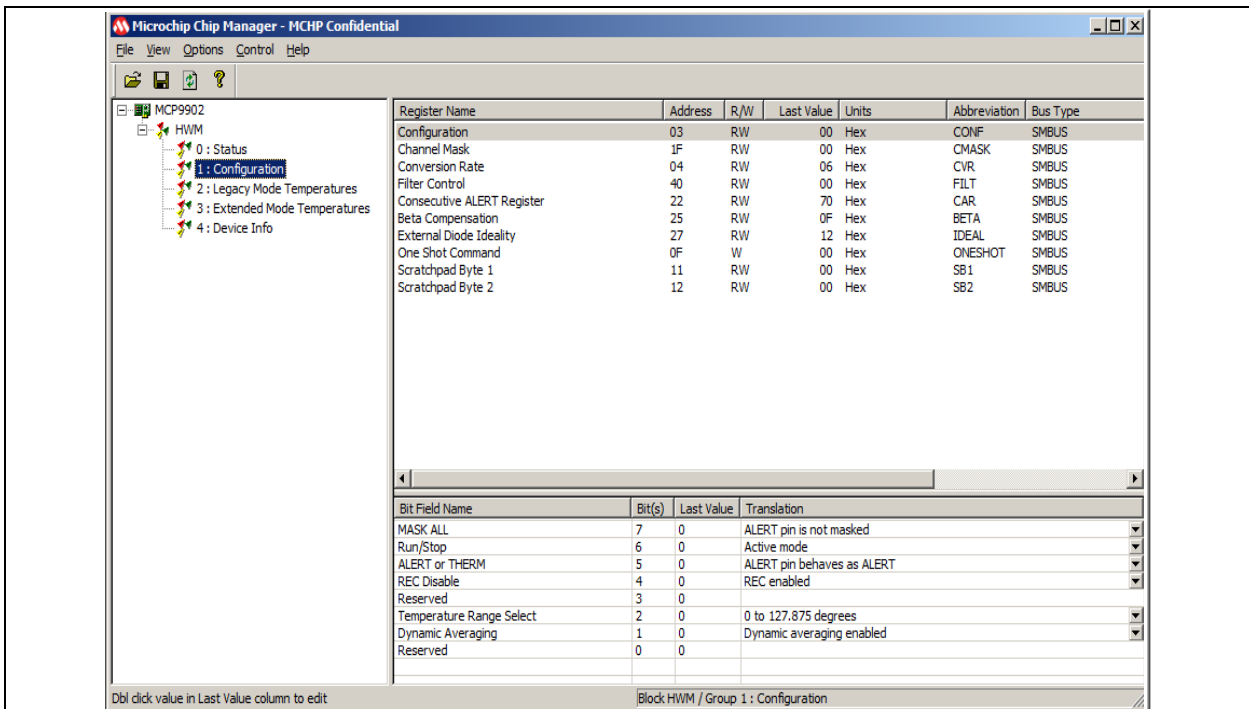


FIGURE 2-12: Chip Manager – Configuration Window.

MCP9902 Temperature Sensor Evaluation Board User's Guide

NOTES:



MCP9902 TEMPERATURE SENSOR EVALUATION BOARD USER'S GUIDE

Chapter 3. Hardware Description

3.1 INTRODUCTION

The MCP9902 Temperature Sensor Evaluation Board (EVB) provides the means to demonstrate all features of the MCP9902 device, and allows the registers to be viewed and modified. LEDs indicating status information and test points are included to enable system voltage monitoring using a voltmeter or an oscilloscope.

3.1.1 Power Source

The MCP9902 EVB requires only one universal serial bus (USB) connection for power. An on-board LDO regulates the +5V USB power to +3.3V required by the MCP9902 and other evaluation board circuitry.

3.2 USB-TO-I²C/SMBUS BRIDGE

The MCP9902 EVB implements Microchip's MCP2221 protocol converter to ensure communication from USB to I²C. Power is delivered to the bridge from the on-board LDO.

3.3 RESISTANCE ERROR CORRECTION (REC)

The MCP9902 has a series resistance adjustment on the DN line. To demonstrate the Resistance Error Correction (REC) feature, potentiometer R7 can be tuned to vary the resistance. When REC is enabled, the temperature will not change as the resistance is increased. When REC is disabled, a significant temperature error will occur; every ohm of resistance increases the temperature error by approximately 0.6°/Ω.

3.4 TEST POINTS

The MCP9902 Temperature Sensor Evaluation Board includes test points for the following signals:

- $\overline{\text{ALERT}}$ output
- $\overline{\text{THERM}}$ output
- +5V USB supply
- +3.3V analog supply
- GND

MCP9902 Temperature Sensor Evaluation Board User's Guide

3.5 LED INDICATORS

Table 3-1 details the status of the LEDs for the following signals:

TABLE 3-1: LED STATUS INDICATORS

Signal	When LED is OFF	When LED is ON
$\overline{\text{ALERT}}$	$\overline{\text{ALERT}}$ is not active - GREEN	$\overline{\text{ALERT}}$ is active – RED
$\overline{\text{THERM}}$	$\overline{\text{THERM}}$ is not active - GREEN	$\overline{\text{THERM}}$ is active – RED
+3.3V PWR	+3.3V analog voltage is not available	+3.3V analog voltage is available – GREEN
+5V PWR	USB +5V is not available	USB +5V is available – GREEN
USB_ACT	No Activity on USB port	Activity on USB port – GREEN
SMB_ACT	No Activity on SMBus	Activity on SMBus – GREEN

3.6 REMOTE DIODES

The MCP9902 EVB is populated with an on-board transistor (Q1) with the base terminal shorted to the collector terminal. This type of connection is known as a diode-connected transistor. A latched header (J1) allows for an off-board connection to a remote diode, a remote CPU or GPU attached with a cable assembly (see Table 3-2).

To connect to an off-board CPU, GPU or cable assembly, remove the on-board transistor, Q1, and refer to Table 3-2 for the proper connections. Ensure a common ground exists between the off-board diode (GPU, etc.) and the evaluation board by connecting to the ground of the EVB via pin 2 of J1. The off-board diode of a CPU or GPU requires proper biasing, so it is recommended to consult the CPU manufacturer's data sheet for guidance on interfacing to the thermal diode.

Please refer to the MCP9902 Temperature Sensor Evaluation Board schematic in [Appendix A. "Schematic and Layouts"](#) for details on the evaluation board header connections.

TABLE 3-2: REMOTE DIODE CONFIGURATIONS

Header	Configuration	Pin 1	Pin 2	Pin 3
J1	On-board diode (Q1)	Collector/Base Shorted	N/A	Emitter
	Diode with Shielded Cable Assembly	Collector/Base Shorted	Shield Ground	Emitter
	Diode without Shielded Cable Assembly	Collector/Base Shorted	N/A	Emitter
	CPU/GPU Diode	Emitter	Ground	Base

3.7 OTHER SENSOR FEATURES

Other features, such as conversion rate, dynamic averaging and digital filtering, can be controlled with the MCP9902 registers. For details on the register description, refer to the MCP990X Data Sheet.

2. Once the desired register is added to plot, a graphic plot window will appear with a legend on top, as shown in [Figure 4-2](#). The two windows can be rearranged independently.

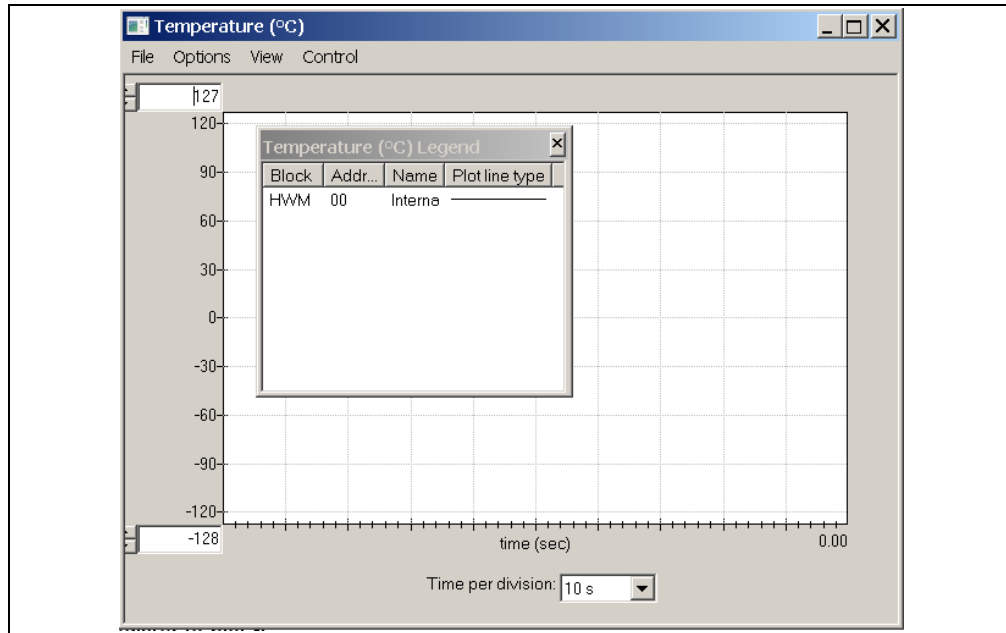


FIGURE 4-2: Register Plot - Temperature Window.

3. To plot additional registers, go back to the Chip Manager main window and repeat Step 1.

4.1.3 Starting the Plots

Before starting the plots, it is important to disable the auto refreshing of the registers. On the Chip Manager main menu, ensure that *Options > Auto Refresh Registers* is not checked. All plots can be started simultaneously by selecting *Control > Plots > Start All Plots* from the menu in the main application window. Multiple plots will be in sync if they are started simultaneously.

Individual plots may be paused at any time by clicking *Control > Pause* in the plot window. This will not cause loss of captured data on the other plot windows.

For a better view of the plot, select a different "Time per division" value in the drop-down menu at the bottom of the plotting window. This scale change affects both the Real-time mode and the Playback mode, while the rate at which data is recorded remains unaffected.

4.1.4 Sampling a Plot

Figure 4-3 is an example of temperature history. Internal Temperature, External Diode 1 Temperature and External Diode 1 High Limit are selected for plotting. The results after starting the plot are that the External Diode Temperature High Limit is reduced, the External Diode 1 starts at room temperature and is then heated by simply placing a finger on the external diode Q1.

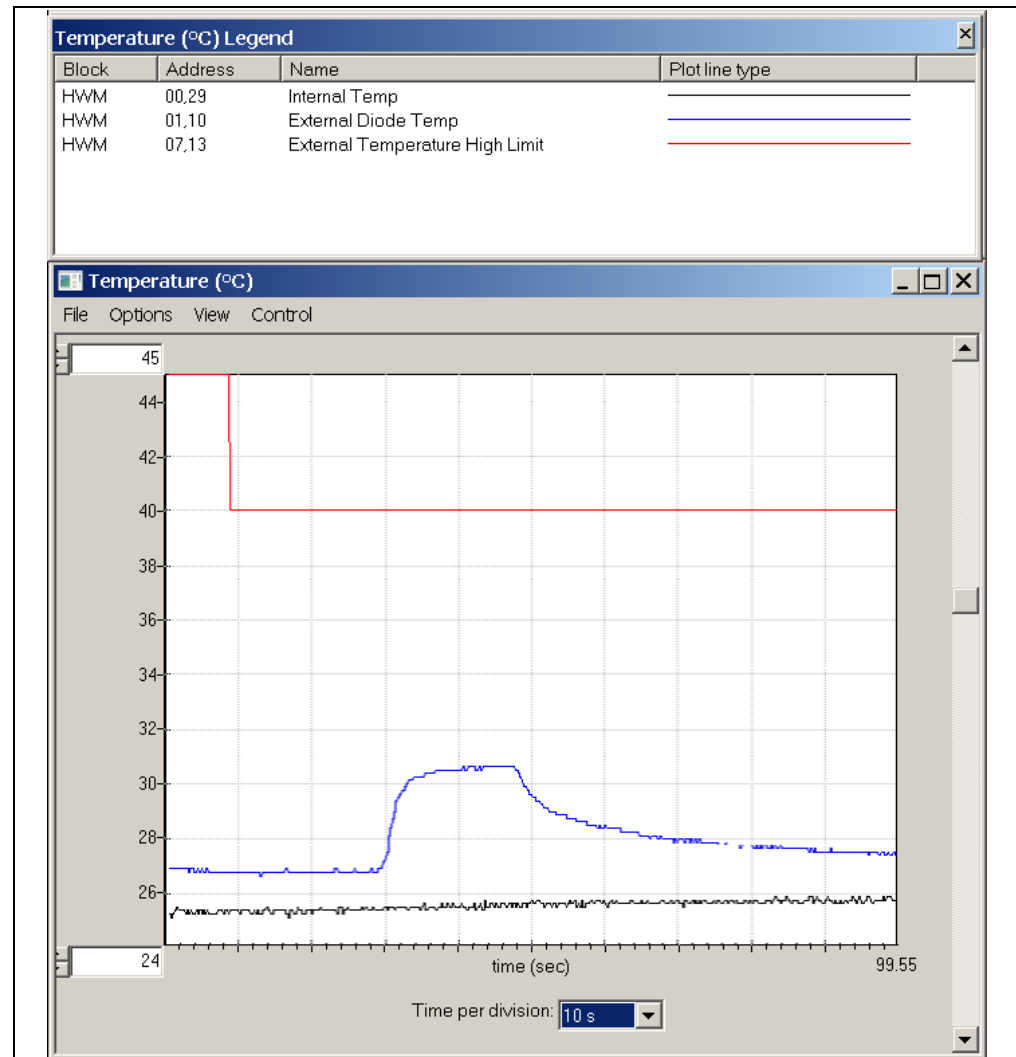


FIGURE 4-3: MCP9902 Temperature History Graph.

4.1.5 Exporting and Importing the Plot Data

The data on each plot window may be stored in a semicolon-separated text file. To save the data, follow the steps:

1. Stop the plotting by selecting *Control > Stop* from the plot window, or *Control > Plots > Stop All Plots* from the Chip Manager main window.
2. Select *File > Export* from the plot window to save the data.

To review saved data, select *File > Import* from an open plot window and then select the file name to open.

Note: Importing a saved data file into a plot window with a different data type is not allowed by the Chip Manager application. In this case, a warning message will display. It is recommended to choose a file name that best describes the data type when exporting the plot data.

MCP9902 Temperature Sensor Evaluation Board User's Guide

NOTES:



MCP9902 TEMPERATURE SENSOR EVALUATION BOARD USER'S GUIDE

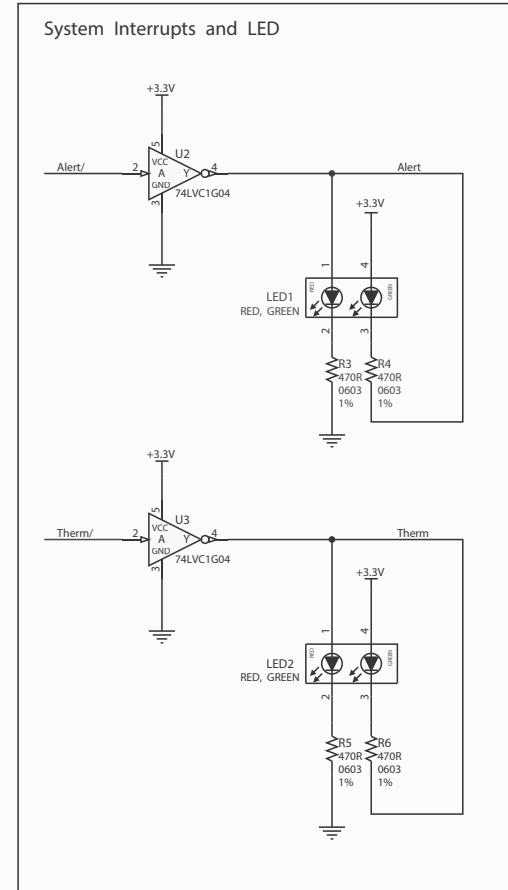
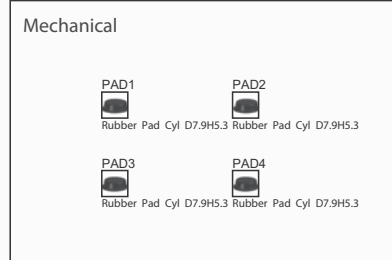
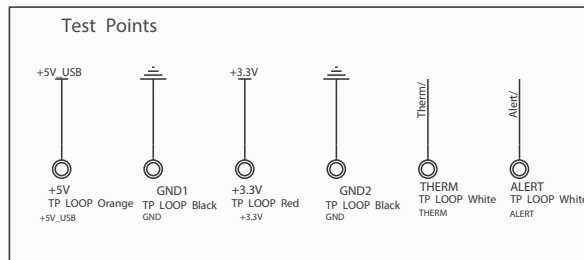
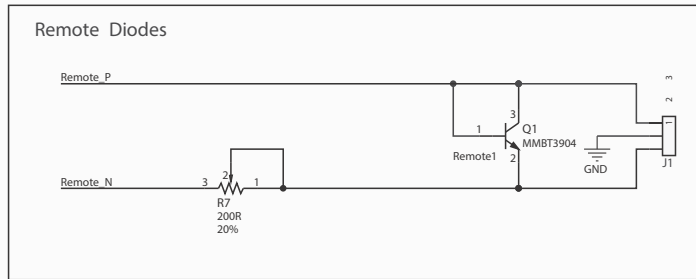
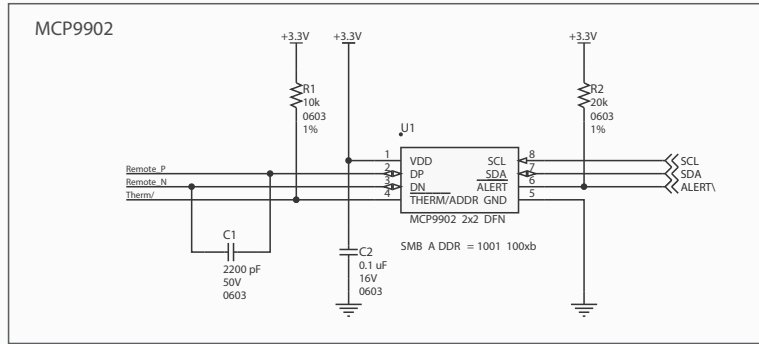
Appendix A. Schematic and Layouts

A.1 INTRODUCTION

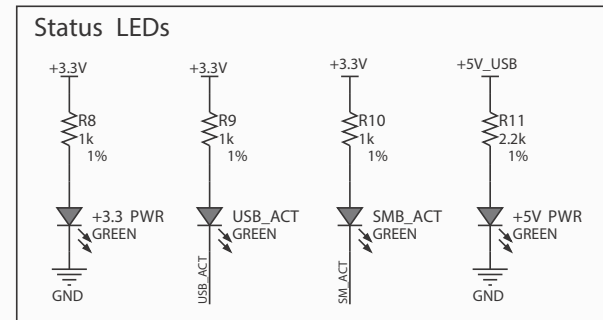
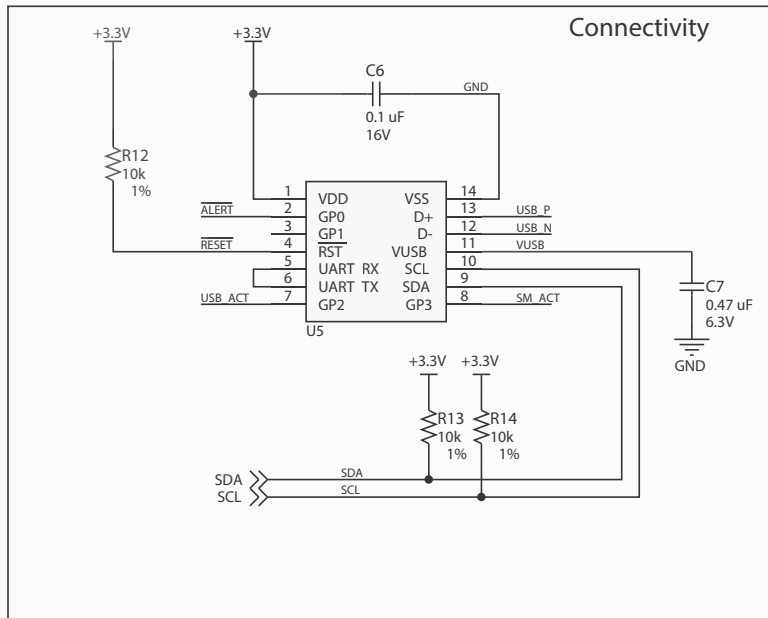
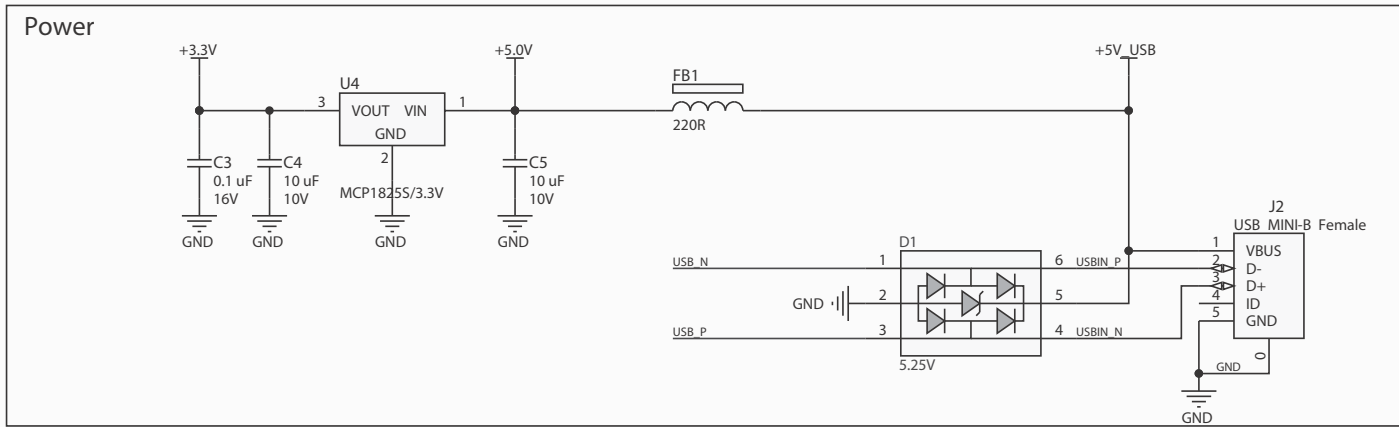
This appendix contains the following schematics and layouts for the MCP9902 Temperature Sensor Evaluation Board:

- Board – MCP9902 and Interface Schematic
- Board – USB-to-SMBus Bridge Schematic
- Board – Top Silk
- Board – Top Copper and Silk
- Board – Top Copper
- Board – Bottom Copper
- Board – Bottom Copper and Silk
- Board – Bottom Silk

A.2 BOARD – MCP9902 AND INTERFACE SCHEMATIC

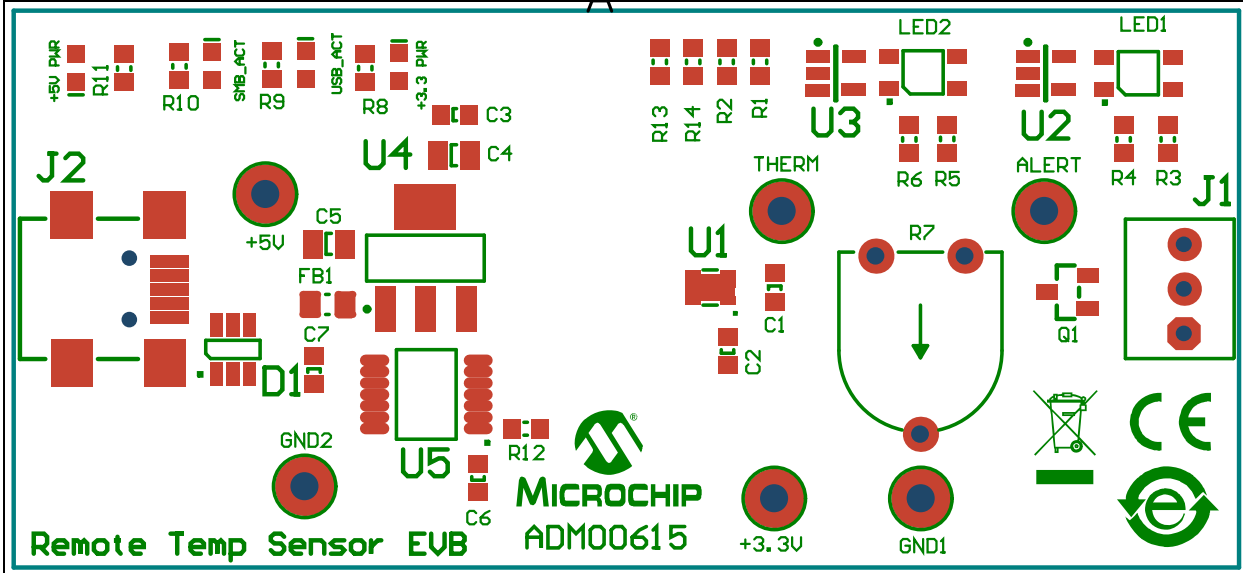


A.3 BOARD – USB-TO-SMBUS BRIDGE SCHEMATIC

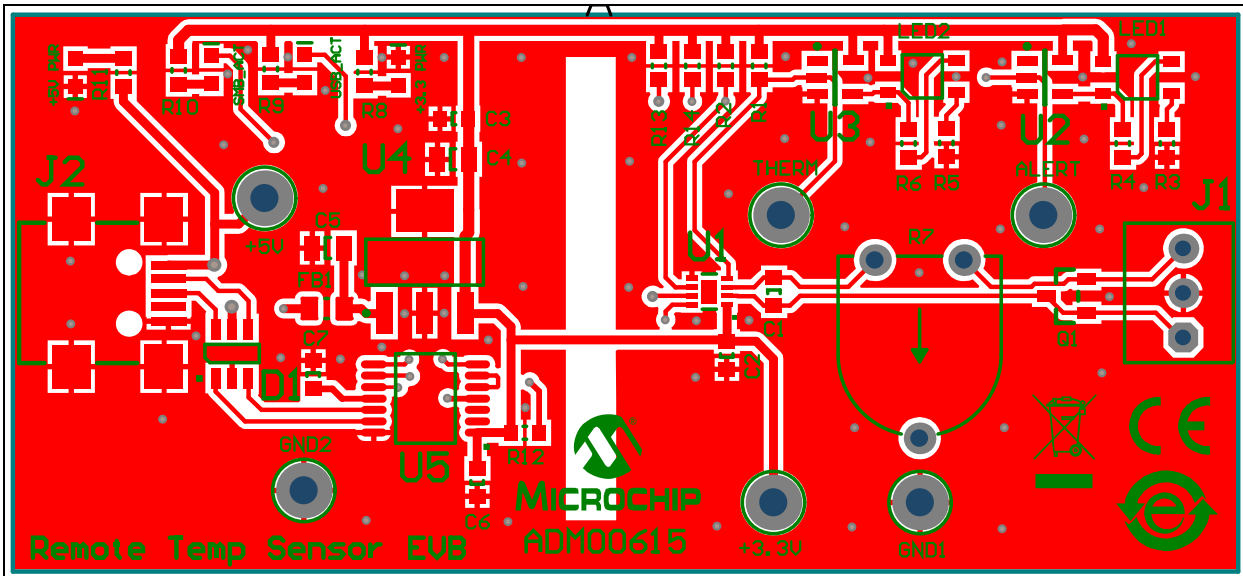


MCP9902 Temperature Sensor Evaluation Board User's Guide

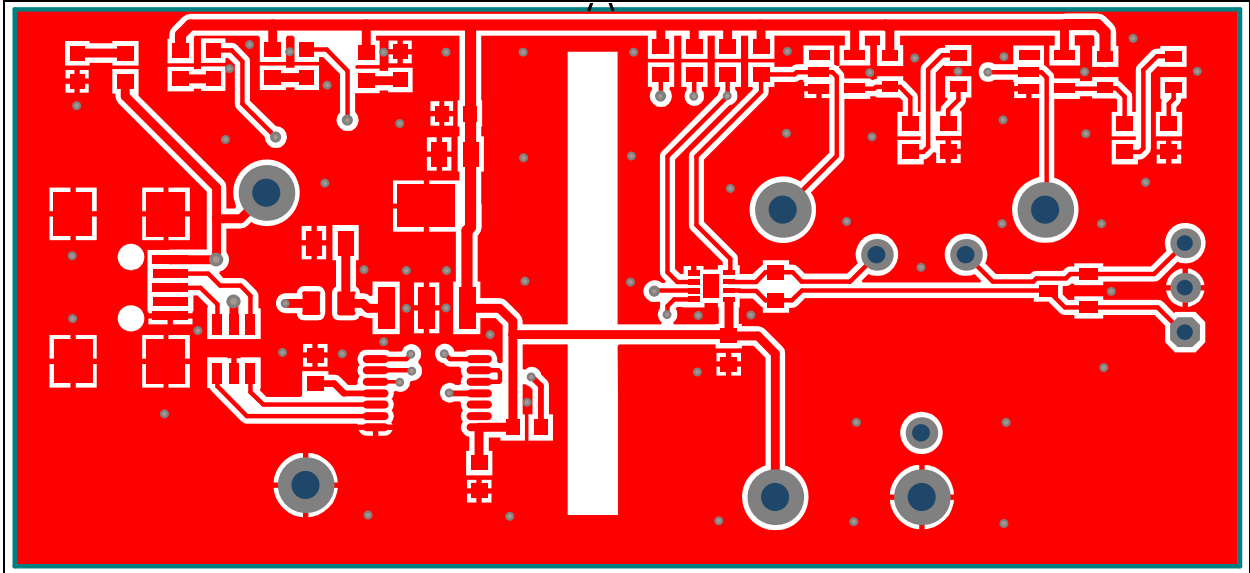
A.4 BOARD – TOP SILK



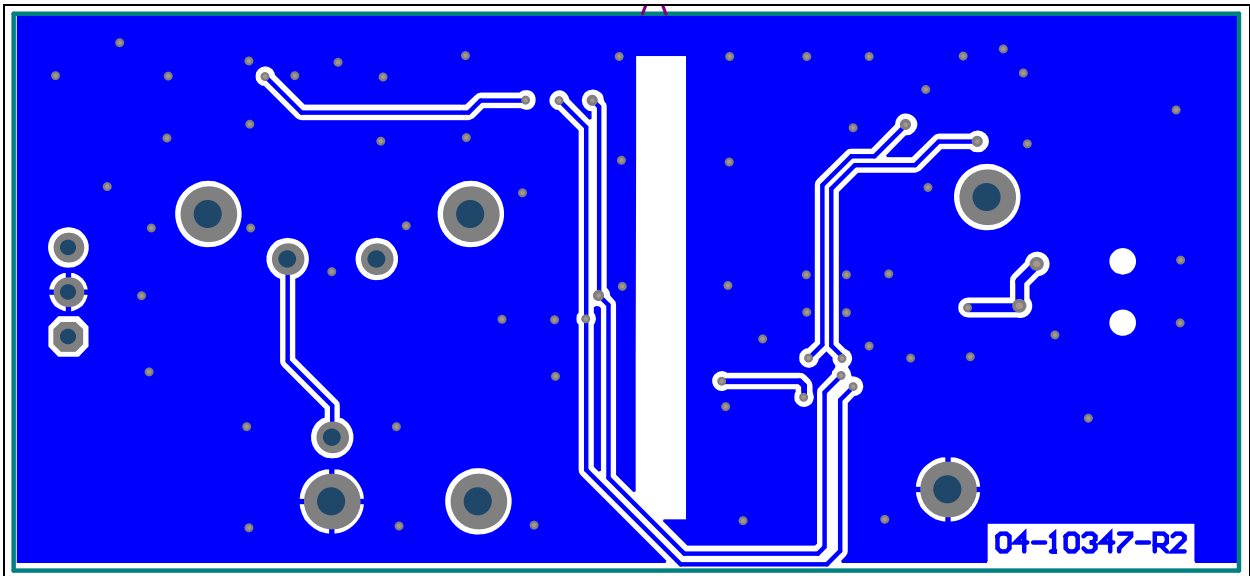
A.5 BOARD – TOP COPPER AND SILK



A.6 BOARD – TOP COPPER

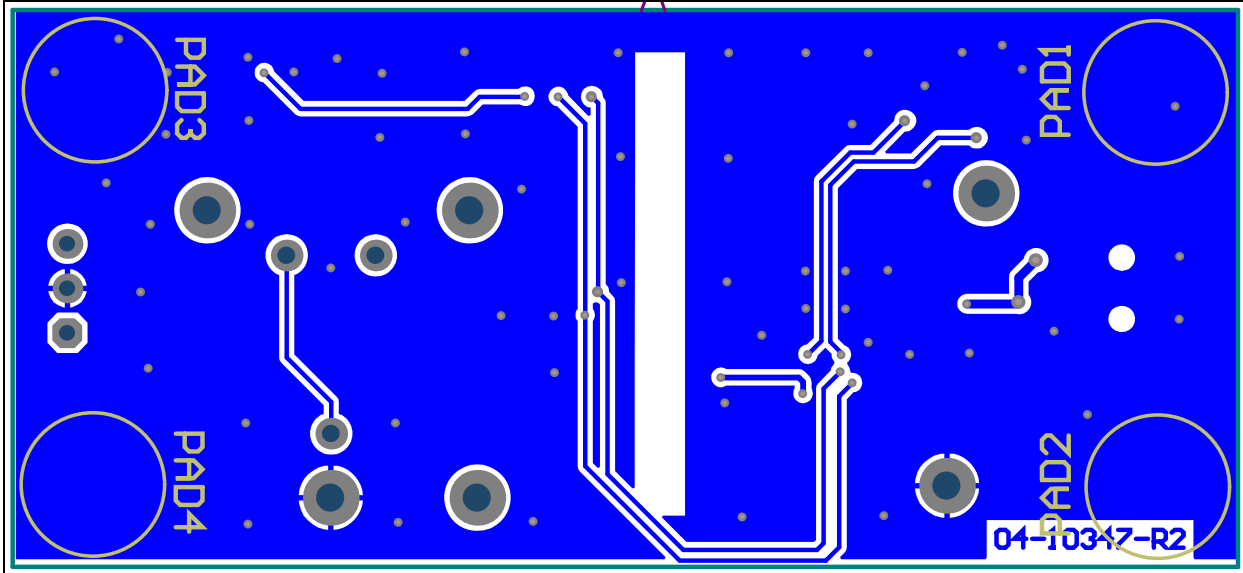


A.7 BOARD – BOTTOM COPPER

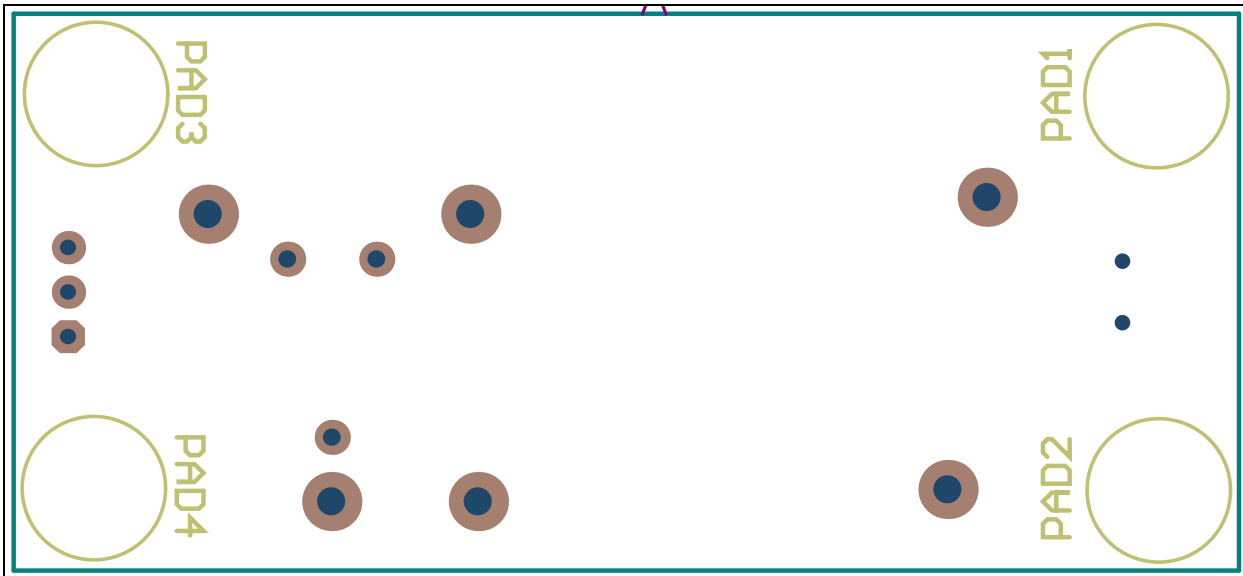


MCP9902 Temperature Sensor Evaluation Board User's Guide

A.8 BOARD – BOTTOM COPPER AND SILK



A.9 BOARD – BOTTOM SILK





MCP9902 TEMPERATURE SENSOR EVALUATION BOARD USER'S GUIDE

Appendix B. Bill of Materials (BOM)

TABLE B-1: BILL OF MATERIALS (BOM)

Qty.	Reference	Description	Manufacturer	Part Number
4	+3.3 PWR, +5V PWR, SMB_ACT, USB_ACT	Diode LED green 2.2V 25 mA 15 mcd Clear SMD 0603	Kingbright Corp.	APT1608SGC
1	+3.3V	Conn. TP Loop Red TH	Keystone Electronics Corp.	5010
1	+5V	Conn. TP Loop Orange TH	Keystone Electronics Corp.	5013
2	ALERT, THERM	Conn. TP Loop White TH	Keystone Electronics Corp.	5012
1	C1	Cap. ceramic 2200 pF 50V 10% X7R SMD 0603	KEMET®	C0603C222K5RACTU
3	C2, C3, C6	Cap. ceramic 0.1 µF 16V 10% X7R SMD 0603	NIC Components Corp.	NMC0603X7R104K16TRPF
2	C4, C5	Cap. ceramic 10 µF 10V 10% X5R SMD 0805	Taiyo Yuden Co., Ltd.	LMK212BJ106KD-T
1	C7	Cap. ceramic 0.47 µF 6.3V 10% X5R SMD 0603	Murata Electronics®	GRM188R60J474KA01D
1	D1	Diode TVSARR USBLC6-2SC6 5.25V SMD SOT-23-6	STMicroelectronics	USBLC6-2SC6
1	FB1	Ferrite 2A 220R SMD 0805	Murata Electronics	BLM21PG221SN1D
2	GND1, GND2	Conn. TP Loop Black TH	Keystone Electronics Corp.	5011
1	J1	Conn. header-2.54 male 1x3 Tin Lock 7.49 MH TH vert.	TE Connectivity, Ltd.	640456-3
1	J2	Conn. USB MINI-B female SMD R/A	Hirose Electric Co., Ltd.	UX60-MB-5ST
2	LED1, LED2	Diode LED bi red, green 2V, 2.2V, 30 mA, 25 mA 4-SMD	Lumex® Inc.	SSL-LXA3025IGC-TR
4	PAD1, PAD2, PAD3, PAD4	Mech. HW rubber pad cylindrical D7.9 H5.3 black	3M	SJ61A11
1	PCB	MCP9902 Temperature Sensor Evaluation Board – Printed Circuit Board	Microchip Technology Inc.	104-10347
1	Q1	Trans. BJT NPN MMBT3904 40V 200 mA 310 mW SOT-23-3	Diodes® Incorporated	MMBT3904-7
1	R1	Res. TKF 10 kΩ 1% 1/10W SMD 0603	NIC Components Corp.	NRC06F1002TRF
1	R2	Res. TKF 20 kΩ 1% 1/10W SMD 0603	Yageo Corporation	9C06031A2002FKHFT

Note: The components listed in this Bill of Materials are representative of the PCB assembly. The released BOM used in manufacturing uses all RoHS-compliant components.

MCP9902 Temperature Sensor Evaluation Board User's Guide

TABLE B-1: BILL OF MATERIALS (BOM) (CONTINUED)

Qty.	Reference	Description	Manufacturer	Part Number
4	R3, R4, R5, R6	Res. TKF 470R 1% 1/10W SMD 0603	Yageo Corporation	RC0603FR-07470RL
1	R7	Res. Trimmer Cermet 200R 20% 500 mW TH 3352E	Bourns® Inc.	3352E-1-201LF
3	R8, R9, R10	Res. TKF 1 kΩ 1% 1/10W SMD 0603	Panasonic® – ECG	ERJ-3EKF1001V
1	R11	Res. TKF 2.2 kΩ 1% 1/10W SMD 0603	Panasonic – ECG	ERJ-3EKF2201V
3	R12, R13, R14	Res. TF 10 kΩ 1% 1/8W SMD 0603	Vishay Intertechnology, Inc.	MCT06030C1002FP500
1	U1	MCP9902 WDFN-8	Microchip Technology Inc.	MCP9902-E/RW
2	U2, U3	IC LOGIC 74LVC1G04 SOT-23-5	Texas Instruments	SN74LVC1G04DBVR
1	U4	MCHP ANALOG LDO 3.3V MCP1825ST-3302E/DB SOT-223-3	Microchip Technology Inc.	MCP1825S-3302E/DB
1	U5	USB-to-I ² C™/UART SMBus Protocol Converter with GPIO	Microchip Technology Inc.	MCP2221-I/ST

Note: The components listed in this Bill of Materials are representative of the PCB assembly. The released BOM used in manufacturing uses all RoHS-compliant components.

Bill of Materials (BOM)

NOTES:



MICROCHIP

Worldwide Sales and Service

AMERICAS

Corporate Office

2355 West Chandler Blvd.
Chandler, AZ 85224-6199

Tel: 480-792-7200

Fax: 480-792-7277

Technical Support:

[http://www.microchip.com/
support](http://www.microchip.com/support)

Web Address:

www.microchip.com

Atlanta

Duluth, GA

Tel: 678-957-9614

Fax: 678-957-1455

Austin, TX

Tel: 512-257-3370

Boston

Westborough, MA

Tel: 774-760-0087

Fax: 774-760-0088

Chicago

Itasca, IL

Tel: 630-285-0071

Fax: 630-285-0075

Cleveland

Independence, OH

Tel: 216-447-0464

Fax: 216-447-0643

Dallas

Addison, TX

Tel: 972-818-7423

Fax: 972-818-2924

Detroit

Novi, MI

Tel: 248-848-4000

Houston, TX

Tel: 281-894-5983

Indianapolis

Noblesville, IN

Tel: 317-773-8323

Fax: 317-773-5453

Los Angeles

Mission Viejo, CA

Tel: 949-462-9523

Fax: 949-462-9608

New York, NY

Tel: 631-435-6000

San Jose, CA

Tel: 408-735-9110

Canada - Toronto

Tel: 905-673-0699

Fax: 905-673-6509

ASIA/PACIFIC

Asia Pacific Office

Suites 3707-14, 37th Floor
Tower 6, The Gateway
Harbour City, Kowloon

Hong Kong

Tel: 852-2943-5100

Fax: 852-2401-3431

Australia - Sydney

Tel: 61-2-9868-6733

Fax: 61-2-9868-6755

China - Beijing

Tel: 86-10-8569-7000

Fax: 86-10-8528-2104

China - Chengdu

Tel: 86-28-8665-5511

Fax: 86-28-8665-7889

China - Chongqing

Tel: 86-23-8980-9588

Fax: 86-23-8980-9500

China - Dongguan

Tel: 86-769-8702-9880

China - Hangzhou

Tel: 86-571-8792-8115

Fax: 86-571-8792-8116

China - Hong Kong SAR

Tel: 852-2943-5100

Fax: 852-2401-3431

China - Nanjing

Tel: 86-25-8473-2460

Fax: 86-25-8473-2470

China - Qingdao

Tel: 86-532-8502-7355

Fax: 86-532-8502-7205

China - Shanghai

Tel: 86-21-5407-5533

Fax: 86-21-5407-5066

China - Shenyang

Tel: 86-24-2334-2829

Fax: 86-24-2334-2393

China - Shenzhen

Tel: 86-755-8864-2200

Fax: 86-755-8203-1760

China - Wuhan

Tel: 86-27-5980-5300

Fax: 86-27-5980-5118

China - Xian

Tel: 86-29-8833-7252

Fax: 86-29-8833-7256

ASIA/PACIFIC

China - Xiamen

Tel: 86-592-2388138

Fax: 86-592-2388130

China - Zhuhai

Tel: 86-756-3210040

Fax: 86-756-3210049

India - Bangalore

Tel: 91-80-3090-4444

Fax: 91-80-3090-4123

India - New Delhi

Tel: 91-11-4160-8631

Fax: 91-11-4160-8632

India - Pune

Tel: 91-20-3019-1500

Japan - Osaka

Tel: 81-6-6152-7160

Fax: 81-6-6152-9310

Japan - Tokyo

Tel: 81-3-6880-3770

Fax: 81-3-6880-3771

Korea - Daegu

Tel: 82-53-744-4301

Fax: 82-53-744-4302

Korea - Seoul

Tel: 82-2-554-7200

Fax: 82-2-558-5932 or

82-2-558-5934

Malaysia - Kuala Lumpur

Tel: 60-3-6201-9857

Fax: 60-3-6201-9859

Malaysia - Penang

Tel: 60-4-227-8870

Fax: 60-4-227-4068

Philippines - Manila

Tel: 63-2-634-9065

Fax: 63-2-634-9069

Singapore

Tel: 65-6334-8870

Fax: 65-6334-8850

Taiwan - Hsin Chu

Tel: 886-3-5778-366

Fax: 886-3-5770-955

Taiwan - Kaohsiung

Tel: 886-7-213-7828

Taiwan - Taipei

Tel: 886-2-2508-8600

Fax: 886-2-2508-0102

Thailand - Bangkok

Tel: 66-2-694-1351

Fax: 66-2-694-1350

EUROPE

Austria - Wels

Tel: 43-7242-2244-39

Fax: 43-7242-2244-393

Denmark - Copenhagen

Tel: 45-4450-2828

Fax: 45-4485-2829

France - Paris

Tel: 33-1-69-53-63-20

Fax: 33-1-69-30-90-79

Germany - Dusseldorf

Tel: 49-2129-3766400

Germany - Karlsruhe

Tel: 49-721-625370

Germany - Munich

Tel: 49-89-627-144-0

Fax: 49-89-627-144-44

Italy - Milan

Tel: 39-0331-742611

Fax: 39-0331-466781

Italy - Venice

Tel: 39-049-7625286

Netherlands - Drunen

Tel: 31-416-690399

Fax: 31-416-690340

Poland - Warsaw

Tel: 48-22-3325737

Spain - Madrid

Tel: 34-91-708-08-90

Fax: 34-91-708-08-91

Sweden - Stockholm

Tel: 46-8-5090-4654

UK - Wokingham

Tel: 44-118-921-5800

Fax: 44-118-921-5820

07/14/15