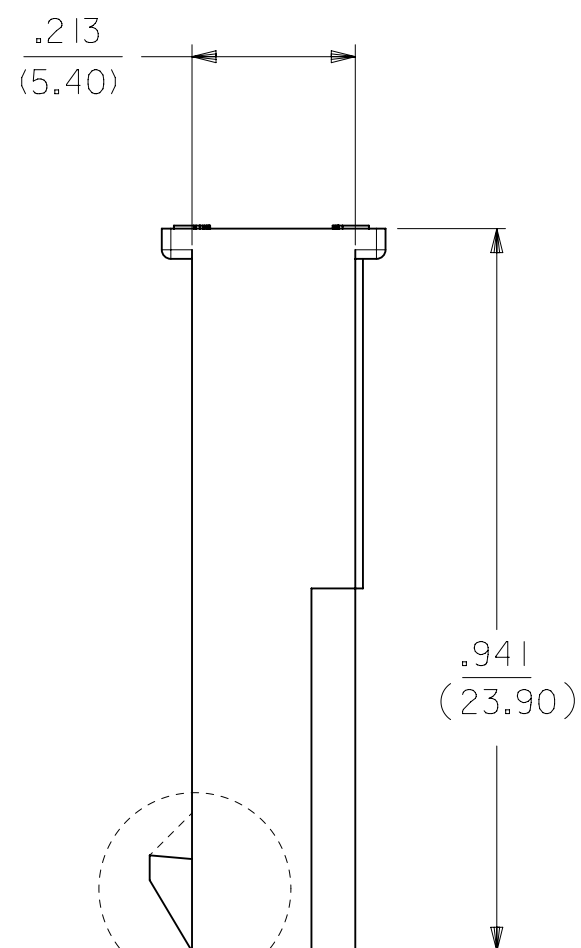
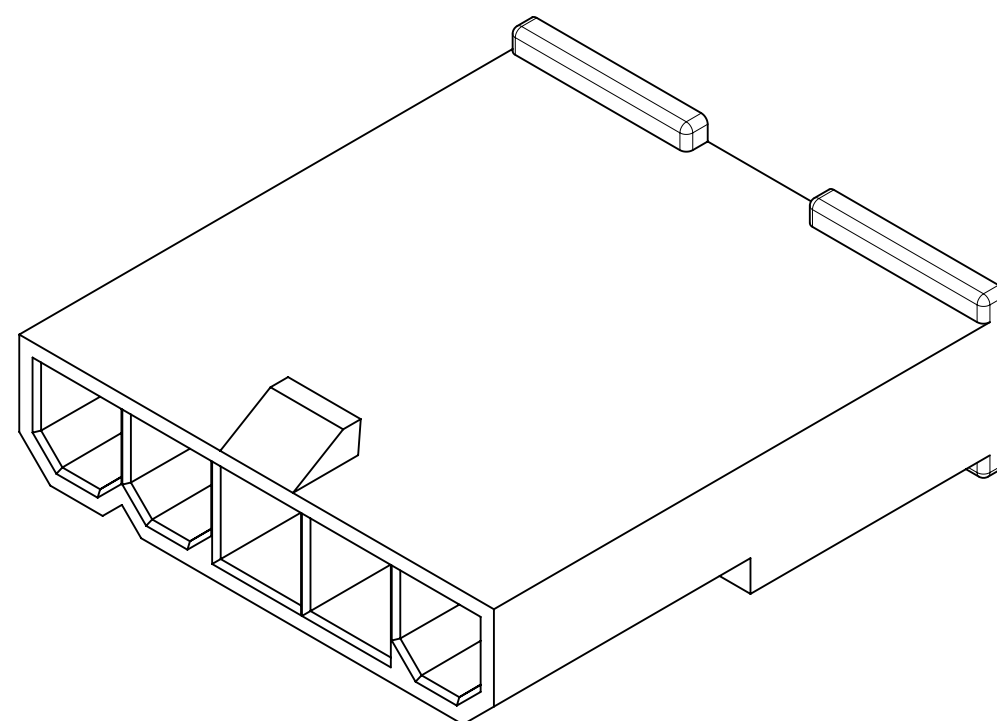


5 CKT WITHOUT
MOUNTING EARS SHOWN



LOCK OPTION:



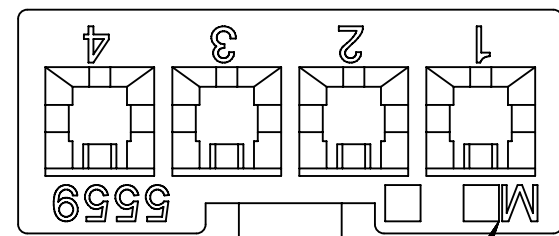
POSITIVE LOCK PASSIVE LOCK

| CKT SIZE | DIM A | DIM B | DIM C | DIM D |
|----------|------------------|------------------|------------------|------------------|
| 2 | .165 (4.20) | .378 (9.60) | .394 (10.00) | .591 (15.00) |
| 4 | .496 (12.60) | .709 (18.00) | .724 (18.40) | .921 (23.40) |
| 5 | .661 (16.80) | .874 (22.20) | .890 (22.60) | 1.087 (27.60) |
| 6 | .827 (21.00) | 1.039 (26.40) | 1.055 (26.80) | 1.252 (31.80) |
| 7 | .992 (25.20) | 1.205 (30.60) | 1.220 (31.00) | 1.417 (36.00) |
| 8 | 1.157 (29.40) | 1.370 (34.80) | 1.386 (35.20) | 1.583 (40.20) |
| 9 | 1.323 (33.60) | 1.535 (39.00) | 1.551 (39.40) | 1.748 (44.40) |
| 10 | 1.488 (37.80) | 1.701 (43.20) | 1.717 (43.60) | 1.913 (48.60) |
| 11 | 1.654 (42.00) | 1.866 (47.40) | 1.882 (47.80) | 2.079 (52.80) |
| 12 | 1.819 (46.20) | 2.031 (51.60) | 2.047 (52.00) | 2.244 (57.00) |

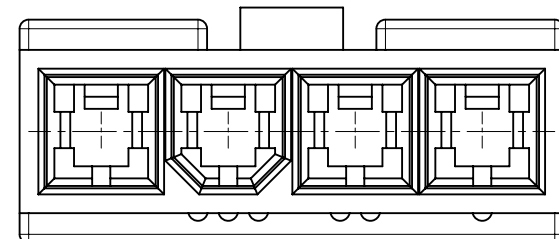
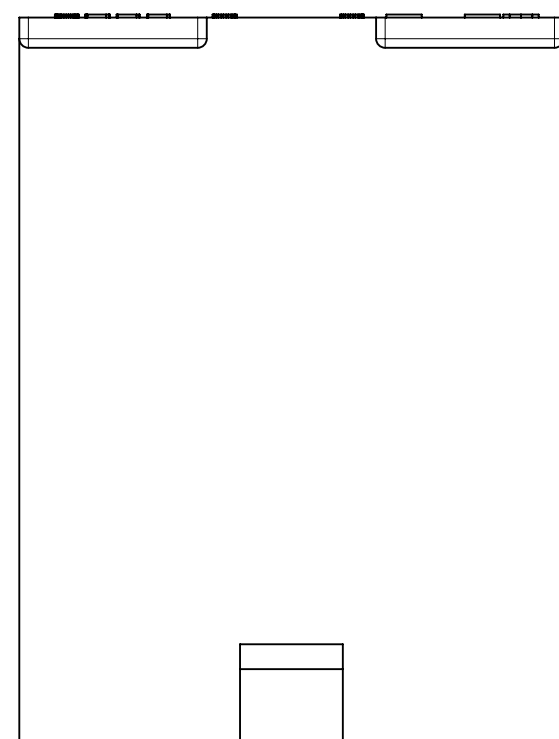
NOTES:

- MATERIAL: BLANK=NYLON 6/6, UL 94V-2, COLOR: NATURAL.
210=NYLON 6/6, UL 94V-0, COLOR: NATURAL.
400=NYLON 6/6, UL 94 V-0, COLOR: BLACK.
- FINISH: NOTE APPLICABLE
- PRODUCT SPECIFICATION: PS-5556-001
- PACKAGING SPECIFICATION: BULK PER PK-5559-003
- THIS PART MATES WITH RECEPTACLE NO. 5557.
- THIS PART IS FOR USE WITH MOLEX MALE TERMINAL NO. 5558-*
- PANEL MOUNT VERSION IS FOR USE WITH .031/.079(0.80/2.00) THICK PANELS.
- PANEL SHOULD BE PUNCHED IN THE DIRECTION OF CONNECTOR INSERTION.
- FACTORY ID MAY BE LOCATED ON EARS.
- THIS PART CONFORMS TO CLASS B REQUIREMENTS OF COSMETIC SPECIFICATION PS-45499-002.
- PART IS NOT DESIGNED FOR CURRENT SHARING.
- PARTS ARE NOT TO BE MATED OR UNMATED WHILE CIRCUITS ARE LIVE.
- WIRES ARE TO BE DRESSED IN SUCH A MANNER TO ALLOW THE TERMINALS TO FLOAT FREELY IN THE POCKET.

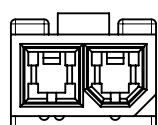
| QUALITY SYMBOLS | THIS DRAWING CONTAINS INFORMATION THAT IS PROPRIETARY TO MOLEX ELECTRONIC TECHNOLOGIES, LLC AND SHOULD NOT BE USED WITHOUT WRITTEN PERMISSION | | | | | | | | |
|-----------------|---|--|--------------|-----------------|------------------------|--|--------------------------|--------------|--------|
| ▽ = 0 | EC NO: 167042 DRWN: AZAHROVIC CHKD: JBELL REV APPR: FSMITH ADD -400 P/NS | GENERAL TOLERANCES (UNLESS SPECIFIED) | | DIMENSION UNITS | SCALE | | | | |
| ▽ = 0 | | MM | INCH | IN/MM | 1:1 | | | | |
| ▽ = 0 | | 4 PLACES ± | ± | DRWN BY | DATE | | KSS 2/19/89 | | |
| ▽ = 0 | | 3 PLACES ± | ± 0.01 | CHK'D BY | DATE | | | | |
| ▽ = 0 | | 2 PLACES ± | ± 0.25 | ± 0.015 | RJF | | 2/19/89 | | |
| ▽ = 0 | | 1 PLACES ± | ± 0.38 | ± | APPR BY | | DATE | | |
| ▽ = 0 | | 0 PLACES ± | ± | ± | FSMITH | | 2011/03/10 | | |
| ▽ = 0 | | ANGULAR TOL = 0.5 | | DRAWING SIZE | THIRD ANGLE PROJECTION | | C | | |
| ▽ = 0 | | DRAFT WHERE APPLICABLE MUST REMAIN WITHIN DIMENSIONS | | | | | | | |
| ▽ = 0 | | J10 | REV | APP | DATE | | PRODUCT CUSTOMER DRAWING | | |
| RELEASE STATUS | | P1 | RELEASE DATE | 10.11.2017 | 18:37:02 | SERIES: 5559 MATERIAL NUMBER: SEE CHART CUSTOMER: GENERAL MARKET | | | |
| DOCUMENT NUMBER | | SD-5559-NLP+ | | DOC TYPE | PSD | DOC PART | 001 | SHEET NUMBER | 1 OF 3 |



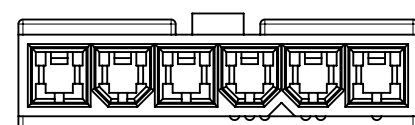
FACTORY ID
SEE NOTE 9



4 CKT WITHOUT
MOUNTING EARS SHOWN



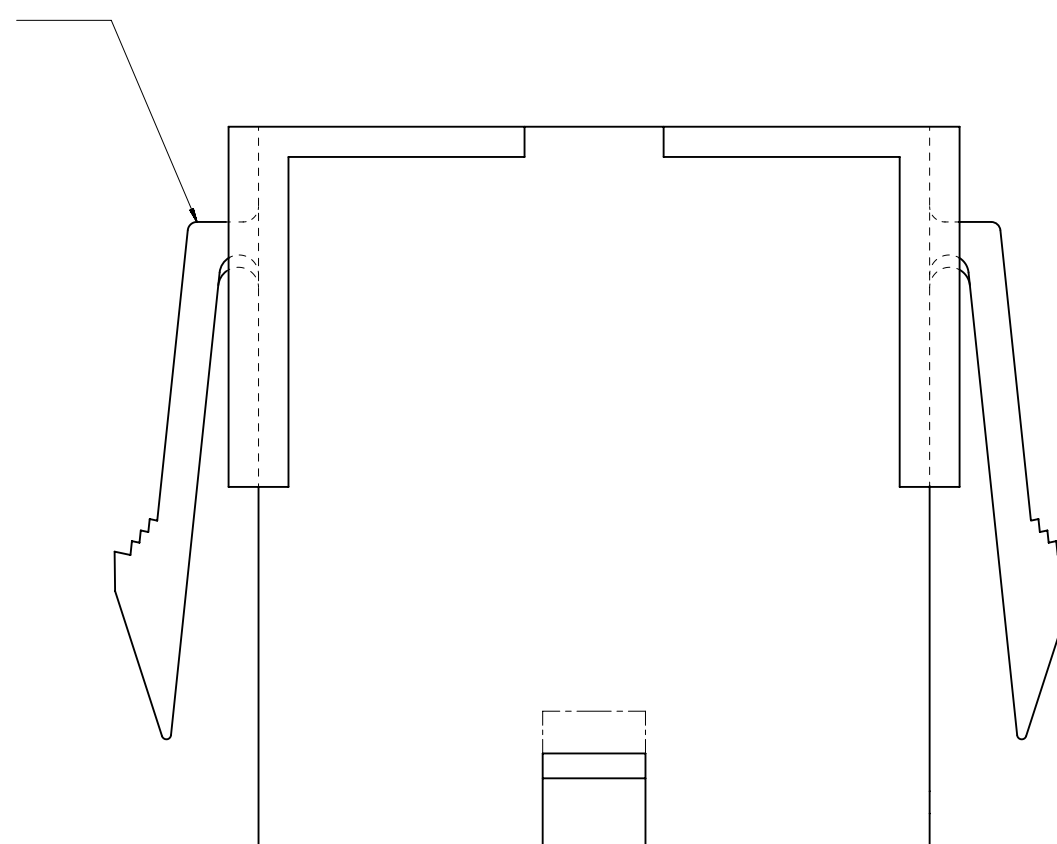
2 CIRCUIT



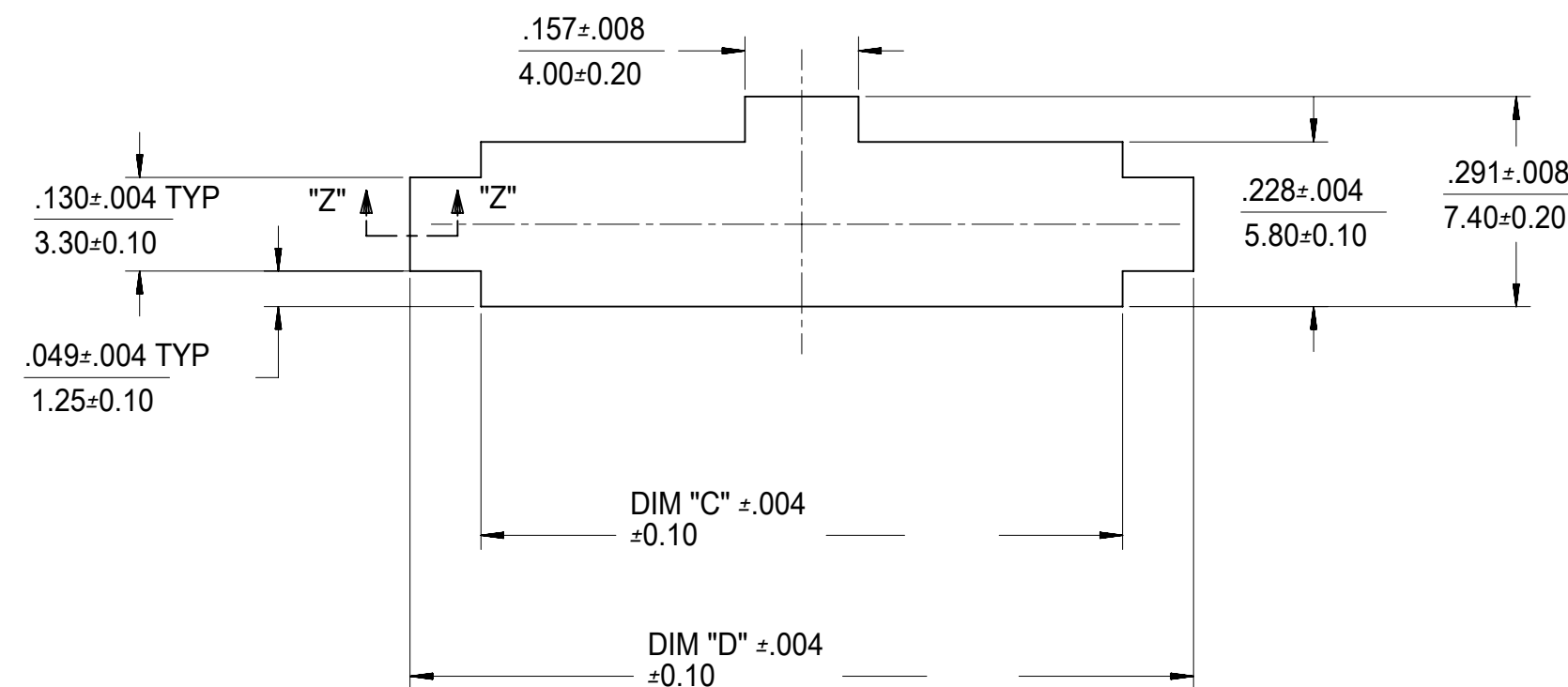
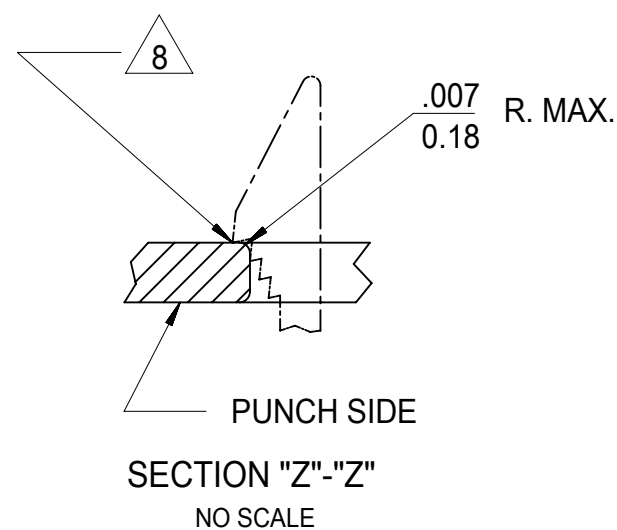
6 CIRCUIT

POLARIZATION

SEE NOTE 9



WITH MOUNTING EARS



RECOMMENDED PANEL CUT-OUT
(SEE NOTE 7 & 8)

| | | | | | | | | | | |
|--|---|--|--|------------------------|--|--|--|--|--|--|
| QUALITY SYMBOLS ▽ = 0 ▽ = 0 ▽ = 0 ▽ = 0 ▽ = 0 ▽ = 0 ▽ = 0 ▽ = 0 ▽ = 0 ▽ = 0 | THIS DRAWING CONTAINS INFORMATION THAT IS PROPRIETARY TO MOLEX ELECTRONIC TECHNOLOGIES, LLC AND SHOULD NOT BE USED WITHOUT WRITTEN PERMISSION | | | | | | | | | |
| | DIMENSION UNITS IN/MM | | | | SCALE 1:1 | | | | | |
| | GENERAL TOLERANCES (UNLESS SPECIFIED) | | DRWN BY KSS | | DATE 2/19/89 | | | | | |
| | 4 PLACES ± ± | | CHK'D BY RJF | | DATE 2/19/89 | | | | | |
| | 3 PLACES ± ± 0.01 | | APPR BY FSMITH | | DATE 2011/03/10 | | | | | |
| | 2 PLACES ± 0.25 ± 0.015 | | DRAWING SIZE C | | THIRD ANGLE PROJECTION | | | | | |
| | 1 PLACES ± 0.38 ± | | ANGLULAR TOL = 0.5 | | SERIES 5559 | | | | | |
| | 0 PLACES ± ± | | DRAFT WHERE APPLICABLE MUST REMAIN WITHIN DIMENSIONS | | MATERIAL NUMBER SEE CHART | | | | | |
| | ADD -400 PINS | | EC NO: 167042 DRWN: AZAHIROVIC CHKD: JBELL REV / APPR: FSMITH | | CUSTOMER GENERAL MARKET | | | | | |
| | 2017/10/23 2017/11/08 2017/11/10 | | J10 | | DOCUMENT NUMBER SD-5559-NLP+ | | | | | |
| RELEASE STATUS P1 | | RELEASE DATE 10.11.2017 18:37:02 | | DOC TYPE PSD | | | | | | |
| 12 | | 11 | | 10 | | | | | | |
| 9 | | 8 | | 7 | | | | | | |
| 6 | | 5 | | 4 | | | | | | |
| 3 | | 2 | | 1 | | | | | | |

| 12 | 11 | 10 | 9 | 8 | 7 | |
|--------|------------|---------------|----------|-----------------|-------------|---------------------|
| TOOLED | PART NO | ENG NO | CKT SIZE | MOUNTING OPTION | LOCK OPTION | MATERIAL SEE NOTE 1 |
| YES | 46999-0655 | 5559-02P2 | 2 | W/EARS | POSITIVE | 94V-2 |
| YES | 46999-0656 | 5559-02P3 | 2 | W/O EAR | POSITIVE | 94V-2 |
| YES | 46999-0657 | 5559-02P2-210 | 2 | W/EARS | POSITIVE | 94V-0 |
| YES | 46999-0658 | 5559-02P3-210 | 2 | W/O EAR | POSITIVE | 94V-0 |
| YES | 46999-0884 | 5559-02P2-400 | 2 | W/EARS | POSITIVE | 94V-0 BLACK |
| YES | 46999-0885 | 5559-02P3-400 | 2 | W/O EAR | POSITIVE | 94V-0 BLACK |
| O | 39-01-4042 | 5559-04P2 | 4 | W/EARS | POSITIVE | 94V-2 |
| YES | 39-01-4046 | 5559-04P3 | 4 | W/O EAR | POSITIVE | 94V-2 |
| YES | 39-01-4043 | 5559-04P2-210 | 4 | W/EARS | POSITIVE | 94V-0 |
| YES | 39-01-4047 | 5559-04P3-210 | 4 | W/O EAR | POSITIVE | 94V-0 |
| YES | 46999-0561 | 5559-04P3-400 | 4 | W/O EAR | POSITIVE | 94V-0 BLACK |
| YES | 39-01-4052 | 5559-05P2 | 5 | W/EARS | POSITIVE | 94V-2 |
| YES | 39-01-4056 | 5559-05P3 | 5 | W/O EAR | POSITIVE | 94V-2 |
| YES | 39-01-4053 | 5559-05P2-210 | 5 | W/EARS | POSITIVE | 94V-0 |
| YES | 39-01-4057 | 5559-05P3-210 | 5 | W/O EAR | POSITIVE | 94V-0 |
| YES | 50-30-4446 | 5559-05P3-400 | 5 | W/O EAR | POSITIVE | 94V-0 BLACK |
| YES | 39-01-4062 | 5559-06P2 | 6 | W/EARS | POSITIVE | 94V-2 |
| YES | 39-01-4066 | 5559-06P3 | 6 | W/O EAR | POSITIVE | 94V-2 |
| YES | 46999-0886 | 5559-06P2-400 | 6 | W/EARS | POSITIVE | 94V-0 BLACK |
| YES | 46999-0887 | 5559-06P3-400 | 6 | W/O EAR | POSITIVE | 94V-0 BLACK |
| YES | 39-01-4063 | 5559-06P2-210 | 6 | W/EARS | POSITIVE | 94V-0 |
| YES | 39-01-4067 | 5559-06P3-210 | 6 | W/O EAR | POSITIVE | 94V-0 |
| NO | 39-01-4072 | 5559-07P2 | 7 | W/EARS | POSITIVE | 94V-2 |
| NO | 39-01-4076 | 5559-07P3 | 7 | W/O EAR | POSITIVE | 94V-2 |
| NO | 39-01-4073 | 5559-07P2-210 | 7 | W/EARS | POSITIVE | 94V-0 |
| NO | 39-01-4077 | 5559-07P3-210 | 7 | W/O EAR | POSITIVE | 94V-0 |
| NO | 39-01-4082 | 5559-08P2 | 8 | W/EARS | POSITIVE | 94V-2 |
| NO | 39-01-4086 | 5559-08P3 | 8 | W/O EAR | POSITIVE | 94V-2 |
| NO | 39-01-4083 | 5559-08P2-210 | 8 | W/EARS | POSITIVE | 94V-0 |
| NO | 39-01-4087 | 5559-08P3-210 | 8 | W/O EAR | POSITIVE | 94V-0 |
| NO | 39-01-4092 | 5559-09P2 | 9 | W/EARS | POSITIVE | 94V-2 |
| NO | 39-01-4096 | 5559-09P3 | 9 | W/O EAR | POSITIVE | 94V-2 |
| NO | 39-01-4093 | 5559-09P2-210 | 9 | W/EARS | POSITIVE | 94V-0 |
| NO | 39-01-4097 | 5559-09P3-210 | 9 | W/O EAR | POSITIVE | 94V-0 |
| NO | 39-01-4102 | 5559-10P2 | 10 | W/EARS | POSITIVE | 94V-2 |
| NO | 39-01-4106 | 5559-10P3 | 10 | W/O EAR | POSITIVE | 94V-2 |
| NO | 39-01-4103 | 5559-10P2-210 | 10 | W/EARS | POSITIVE | 94V-0 |
| NO | 39-01-4107 | 5559-10P3-210 | 10 | W/O EAR | POSITIVE | 94V-0 |
| NO | 39-01-4112 | 5559-11P2 | 11 | W/EARS | POSITIVE | 94V-2 |
| NO | 39-01-4116 | 5559-11P3 | 11 | W/O EAR | POSITIVE | 94V-2 |
| NO | 39-01-4113 | 5559-11P2-210 | 11 | W/EARS | POSITIVE | 94V-0 |
| NO | 39-01-4117 | 5559-11P3-210 | 11 | W/O EAR | POSITIVE | 94V-0 |
| NO | 39-01-4122 | 5559-12P2 | 12 | W/EARS | POSITIVE | 94V-2 |
| NO | 39-01-4126 | 5559-12P3 | 12 | W/O EAR | POSITIVE | 94V-2 |
| NO | 39-01-4123 | 5559-12P2-210 | 12 | W/EARS | POSITIVE | 94V-0 |
| NO | 39-01-4127 | 5559-12P3-210 | 12 | W/O EAR | POSITIVE | 94V-0 |

| 6 | 5 | 4 | 3 | 2 | 1 | |
|--------|------------|---------------|----------|-----------------|-------------|---------------------|
| TOOLED | PART NO | ENG NO | CKT SIZE | MOUNTING OPTION | LOCK OPTION | MATERIAL SEE NOTE 1 |
| NO | NO E.D.P. | 5559-04P4 | 4 | W/EARS | PASSIVE | 94V-2 |
| NO | NO E.D.P. | 5559-04P5 | 4 | W/O EAR | PASSIVE | 94V-2 |
| NO | NO E.D.P. | 5559-04P4-210 | 4 | W/EARS | PASSIVE | 94V-0 |
| NO | NO E.D.P. | 5559-04P5-210 | 4 | W/O EAR | PASSIVE | 94V-0 |
| YES | 50-29-1599 | 5559-05P4-210 | 5 | W/EARS | PASSIVE | 94V-0 |
| NO | NO E.D.P. | 5559-05P5-210 | 5 | W/O EAR | PASSIVE | 94V-0 |
| NO | NO E.D.P. | 5559-05P5-400 | 5 | W/O EAR | PASSIVE | 94V-0 BLACK |
| NO | NO E.D.P. | 5559-06P4 | 6 | W/EARS | PASSIVE | 94V-2 |
| NO | NO E.D.P. | 5559-06P5 | 6 | W/O EAR | PASSIVE | 94V-2 |
| NO | NO E.D.P. | 5559-06P4-210 | 6 | W/EARS | PASSIVE | 94V-0 |
| NO | NO E.D.P. | 5559-06P5-210 | 6 | W/O EAR | PASSIVE | 94V-0 |
| NO | NO E.D.P. | 5559-07P4 | 7 | W/EARS | PASSIVE | 94V-2 |
| NO | NO E.D.P. | 5559-07P5 | 7 | W/O EAR | PASSIVE | 94V-2 |
| NO | NO E.D.P. | 5559-07P4-210 | 7 | W/EARS | PASSIVE | 94V-0 |
| NO | NO E.D.P. | 5559-07P5-210 | 7 | W/O EAR | PASSIVE | 94V-0 |
| NO | NO E.D.P. | 5559-08P4 | 8 | W/EARS | PASSIVE | 94V-2 |
| NO | NO E.D.P. | 5559-08P5 | 8 | W/O EAR | PASSIVE | 94V-2 |
| NO | NO E.D.P. | 5559-08P4-210 | 8 | W/EARS | PASSIVE | 94V-0 |
| NO | NO E.D.P. | 5559-08P5-210 | 8 | W/O EAR | PASSIVE | 94V-0 |
| NO | NO E.D.P. | 5559-09P4 | 9 | W/EARS | PASSIVE | 94V-2 |
| NO | NO E.D.P. | 5559-09P5 | 9 | W/O EAR | PASSIVE | 94V-2 |
| NO | NO E.D.P. | 5559-09P4-210 | 9 | W/EARS | PASSIVE | 94V-0 |
| NO | NO E.D.P. | 5559-09P5-210 | 9 | W/O EAR | PASSIVE | 94V-0 |
| NO | NO E.D.P. | 5559-10P4 | 10 | W/EARS | PASSIVE | 94V-2 |
| NO | NO E.D.P. | 5559-10P5 | 10 | W/O EAR | PASSIVE | 94V-2 |
| NO | NO E.D.P. | 5559-10P4-210 | 10 | W/EARS | PASSIVE | 94V-0 |
| NO | NO E.D.P. | 5559-10P5-210 | 10 | W/O EAR | PASSIVE | 94V-0 |
| NO | NO E.D.P. | 5559-11P4 | 11 | W/EARS | PASSIVE | 94V-2 |
| NO | NO E.D.P. | 5559-11P5 | 11 | W/O EAR | PASSIVE | 94V-2 |
| NO | NO E.D.P. | 5559-11P4-210 | 11 | W/EARS | PASSIVE | 94V-0 |
| NO | NO E.D.P. | 5559-11P5-210 | 11 | W/O EAR | PASSIVE | 94V-0 |
| NO | NO E.D.P. | 5559-12P4 | 12 | W/EARS | PASSIVE | 94V-2 |
| NO | NO E.D.P. | 5559-12P5 | 12 | W/O EAR | PASSIVE | 94V-2 |
| NO | NO E.D.P. | 5559-12P4-210 | 12 | W/EARS | PASSIVE | 94V-0 |
| NO | NO E.D.P. | 5559-12P5-210 | 12 | W/O EAR | PASSIVE | 94V-0 |

"O" = OBSOLETE

LEGEND

5559-***P*-*

BASE NO


CIRCUIT SIZE (04-12)

MATERIAL OPTION: SEE NOTE 1

MOUNTING AND LOCK OPTION:
 2=WITH EARS, POSITIVE LOCK
 3=WITHOUT EARS, POSITIVE LOCK
 4=WITH EARS, PASSIVE LOCK
 5=WITHOUT EARS, PASSIVE LOCK

PLUG

THIS DRAWING CONTAINS INFORMATION THAT IS PROPRIETARY TO MOLEX ELECTRONIC TECHNOLOGIES, LLC AND SHOULD NOT BE USED WITHOUT WRITTEN PERMISSION

| | | | | | | |
|-----------------|--|--|--------|-----------------|--|--|
| QUALITY SYMBOLS | 2017/10/23 2017/11/08 2017/11/10 ADD -400 PINS EC NO: 167042 DRWN: AZAHROVIC CHKD: JBELL REV / APPR: FSMITH | GENERAL TOLERANCES (UNLESS SPECIFIED) | | DIMENSION UNITS | SCALE |  MINI-FIT JR. SERIES PLUG (SINGLE ROW) |
| | | MM | INCH | IN/MM | 1:1 | |
| ▽ = 0 | DRWN BY: KSS DATE: 2/19/89 CHK'D BY: RJJ DATE: 2/19/89 APPR BY: FSMITH DATE: 2011/03/10 | 4 PLACES | ± | ± | SERIES: 5559 MATERIAL NUMBER: SEE CHART CUSTOMER: GENERAL MARKET | |
| ▽ = 0 | | 3 PLACES | ± | ± 0.01 | | |
| ▽ = 0 | | 2 PLACES | ± 0.25 | ± 0.015 | | |
| ▽ = 0 | | 1 PLACES | ± 0.38 | ± | | |
| ▽ = 0 | | 0 PLACES | ± | ± | | |
| ▽ = 0 | ANGULAR TOL = 0.5 | DRAFT WHERE APPLICABLE MUST REMAIN WITHIN DIMENSIONS | | DRAWING SIZE: C | THIRD ANGLE PROJECTION | |
| ▽ = 0 | J10 | DOCUMENT NUMBER: SD-5559-NLP+ | | DOC TYPE: PSD | DOC PART: 001 | SHEET NUMBER: 3 OF 3 |