

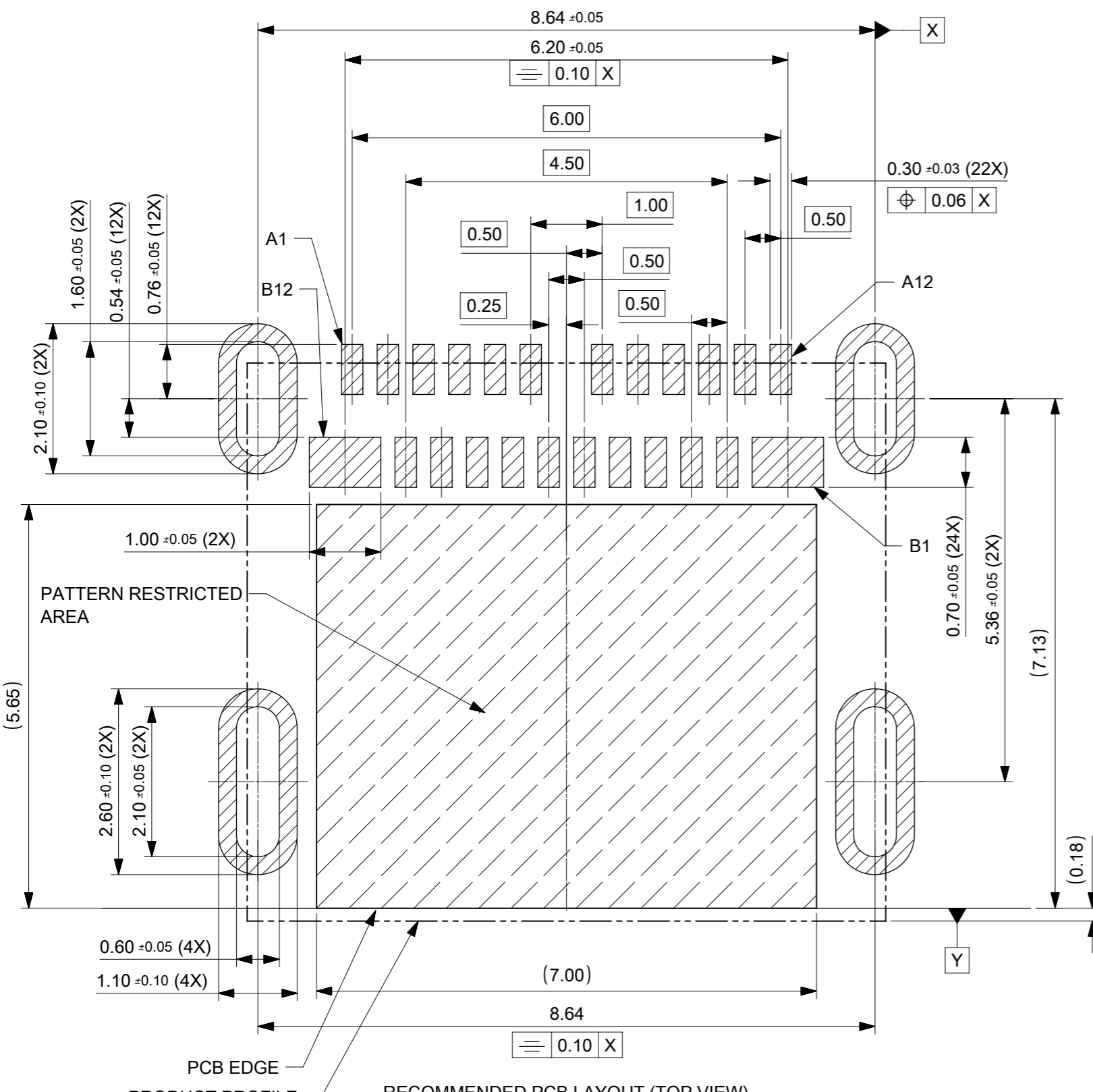
PART NO.	DESCRIPTION	L	PACKAGE
105450001	SEE NOTES 2 (1) FOR CONTACT AREA PLATING	0.80	PK-105450-001
1054500101	SEE NOTES 2 (2) FOR CONTACT AREA PLATING	0.50	
1054500111	SEE NOTES 2 (2) FOR CONTACT AREA PLATING	1.30	1054506666
1054500121	SEE NOTES 2 (2) FOR CONTACT AREA PLATING	0.80	

THIS DRAWING CONTAINS INFORMATION THAT IS PROPRIETARY TO MOLEX ELECTRONIC TECHNOLOGIES, LLC AND SHOULD NOT BE USED WITHOUT WRITTEN PERMISSION

2016/12/02	2017/04/24	GENERAL TOLERANCES (UNLESS SPECIFIED)	DIMENSION UNITS	SCALE	
		ANGULAR TOL ± 3.0 °	MM	7:1	
4 PLACES ±	DRWN BY	DATE	RZHANG	2015/04/20	
3 PLACES ±	CHK'D BY	DATE			
2 PLACES ± 0.2	APPR BY	DATE	AYIN	2015/04/20	
1 PLACE ± 0.2	DRAWING SIZE	THIRD ANGLE PROJECTION			
0 PLACES ±	A3				
DRAFT WHERE APPLICABLE MUST REMAIN WITHIN DIMENSIONS					

PRODUCT CUSTOMER DRAWING		SERIES	MATERIAL NUMBER	CUSTOMER
		105450	SEE CHART	GENERAL MARKET
DOCUMENT NUMBER	DOC TYPE	DOC PART	SHEET NUMBER	
SD-105450-001	PSD	000	1 OF 2	

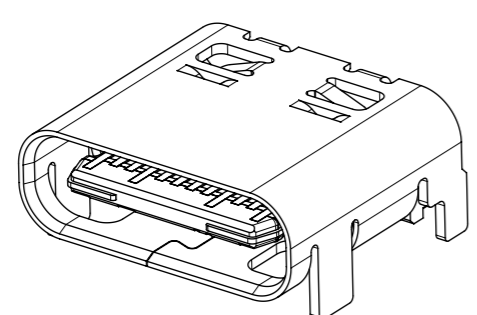
RELEASE STATUS	RELEASE DATE
----------------	--------------



NOTES:

1. MATERIAL,
 HOUSING: HIGH TEMPERATURE THERMAL PLASTIC , 30% GLASS FILLED, BLACK, UL94V-0.
 TERMINAL: COPPER ALLOY
 SHELL: STAINLESS STEEL
 INNER SHELL: STAINLESS STEEL
 MIDDLE BLADE: STAINLESS STEEL
2. PLATING:
 TERMINAL: CONTACT AREA:
 (1). 0.76 MICROMETER MIN. GOLD PLATING
 (2). GOLD FLASH OVER 0.76 MICROMETER MIN. PALLADIUM/NICKEL PLATING
 AND SOLDER TAIL: 0.05 MICROMETER MIN. GOLD PLATING
 UNDER PLATING: 2 MICROMETER MIN. NICKEL PLATING OVERALL
 SHELL: 1 MICROMETER MIN. SOLDERABLE NICKEL PLATING OVERALL
 INNER SHELL: CLEANING
 MIDDLE BLADE: 2 MICROMETER MIN. TIN PLATING OVER THE SOLDER TAIL
 AND 1 MICROMETER NICKEL PLATING OVERALL
3. PRODUCT SPEC REFER TO PS-105448-001
4. COPLANARITY OF SMT PINS SOLDER TAIL IS 0.10 MAX. BEFORE AND AFTER REFLOW
5. T/H SOLDER TAIL POSITION BE CONTROLLED BY GAUGE
6. PRODUCT COMPLANT TO ROHS DIERTIVE 2011/65/EU AND ELV DIRECTIVE 2000/53/EC

PIN ASSIGNMENT											
A1	A2	A3	A4	A5	A6	A7	A8	A9	A10	A11	A12
GND	TX1+	TX1-	VBUS	CC1	D+	D-	SBU1	VBUS	RX2-	RX2+	GND
GND	RX1+	RX1-	VBUS	SBU2	D-	D+	CC2	VBUS	TX2-	TX2+	GND
B12	B11	B10	B9	B8	B7	B6	B5	B4	B3	B2	B1



THIS DRAWING CONTAINS INFORMATION THAT IS PROPRIETARY TO MOLEX ELECTRONIC TECHNOLOGIES, LLC AND SHOULD NOT BE USED WITHOUT WRITTEN PERMISSION

EC NO: 115587 DRWN: RZHANG CHK'D: APPR: AYIN	2016/12/02 2017/04/24	GENERAL TOLERANCES (UNLESS SPECIFIED) ANGULAR TOL ± 3.0 °	DIMENSION UNITS: MM SCALE:		
	4 PLACES ± 3 PLACES ± 2 PLACES ± 0.2 1 PLACE ± 0.2 0 PLACES ±	DRWN BY: RZHANG DATE: 2015/04/20	DRWN BY: RZHANG DATE: 2015/04/20		PRODUCT CUSTOMER DRAWING
	DRAFT WHERE APPLICABLE MUST REMAIN WITHIN DIMENSIONS	APPR BY: AYIN DATE: 2015/04/20	APPR BY: AYIN DATE: 2015/04/20		SERIES: 105450 MATERIAL NUMBER: SEE SHEET 1 CUSTOMER: GENERAL MARKET
	A3 THIRD ANGLE PROJECTION	DRAWING SIZE: A3 THIRD ANGLE PROJECTION	DRAWING SIZE: A3 THIRD ANGLE PROJECTION		DOCUMENT NUMBER: SD-105450-001 DOC TYPE: PSD DOC PART: 000 SHEET NUMBER: 2 OF 2