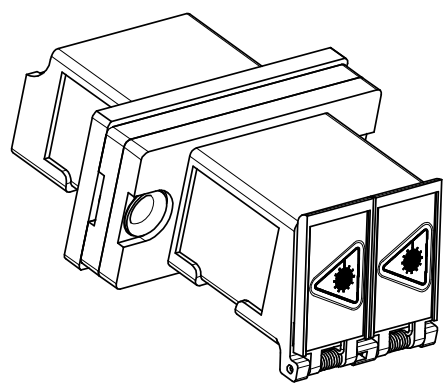
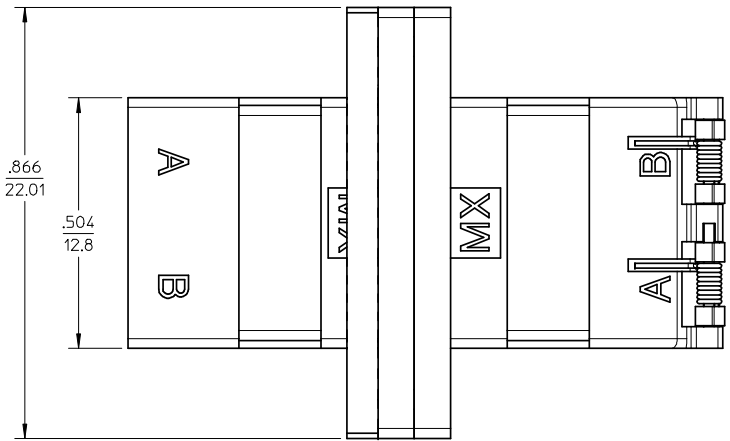
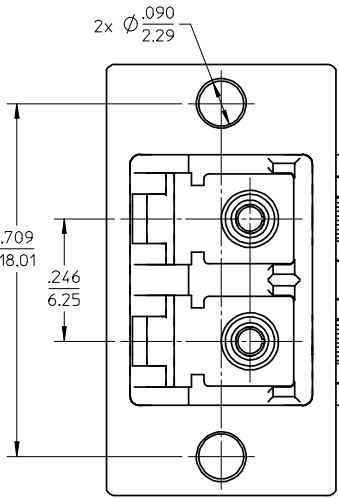
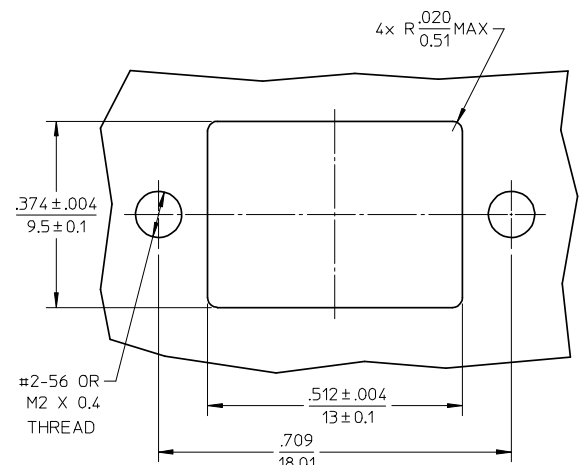
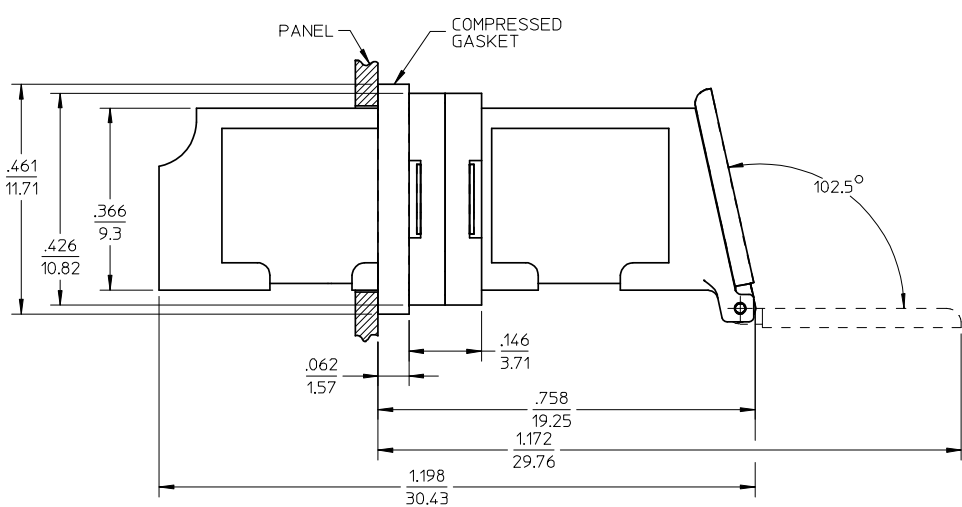


| | | |
|-------------|-----------------------|------------------|
| ADAPTER P/N | SPLIT SLEEVE MATERIAL | LC DOOR MATERIAL |
| 106115-1110 | Zr | METAL |
| 106115-1116 | Ph. Bronze | |
| 106115-1130 | Zr | PLASTIC, GREEN |



- NOTES:
1. ALL DIMENSIONS ARE FOR REFERENCE ONLY.
 2. CONDUCTIVE SILICONE GASKET WITH FILLER IS SUPPLIED WITH PART.
 3. PART IS DIECAST.
 4. DUST CAP NOT SHOWN.
 5. ADAPTERS TO BE PACKAGED IN TRAY.

| | | | | | | | | | |
|--|-------------------------------|---|---------|---------------------------|--------------------------------|---|------------------------|--|--|
| ENTER DESCRIPTION EC NO: MF2008-0344 DRW:MKPEVNER 2008/02/22 CHKD: 2008/02/22 APPR: LGUMIN 2008/02/22 B2 | QUALITY SYMBOLS ▽=0 ▽=0 | GENERAL TOLERANCES (UNLESS SPECIFIED) | | DIMENSION STYLE IN/MM | SCALE 4:1 | DESIGN UNITS INCH | THIRD ANGLE PROJECTION | | |
| | | 4 PLACES ± --- ± --- 3 PLACES ± --- ± --- 2 PLACES ± --- ± --- 1 PLACE ± --- ± --- | mm INCH | DRAWN BY PGIBLIN | DATE 2005/12/08 | TITLE LC-D EMI ADAPTER (SCREW MOUNT, W/SHUTTERS) | | | |
| | | ANGULAR ±1/2° | | APPROVED BY | DATE | MOLEX INCORPORATED | | | |
| | | DRAFT WHERE APPLICABLE MUST REMAIN WITHIN DIMENSIONS | | MATERIAL NO. SEE TABLE | DOCUMENT NO. SD-106115-111X | SHEET NO. 1 OF 1 | | | |

THIS DRAWING CONTAINS INFORMATION THAT IS PROPRIETARY TO MOLEX INCORPORATED AND SHOULD NOT BE USED WITHOUT WRITTEN PERMISSION