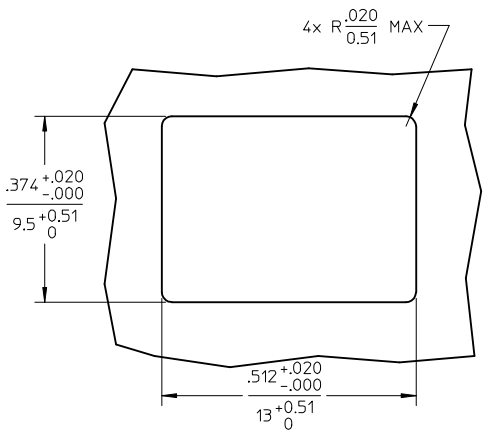
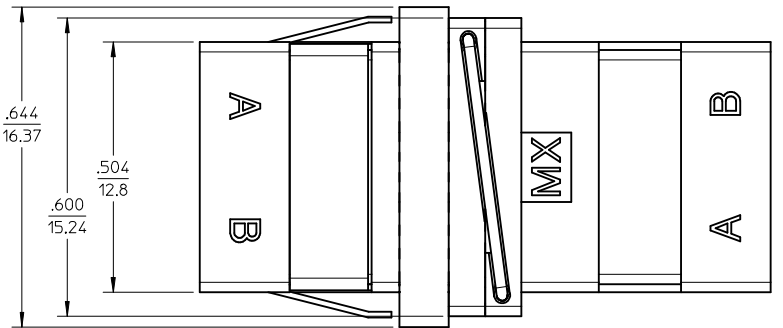
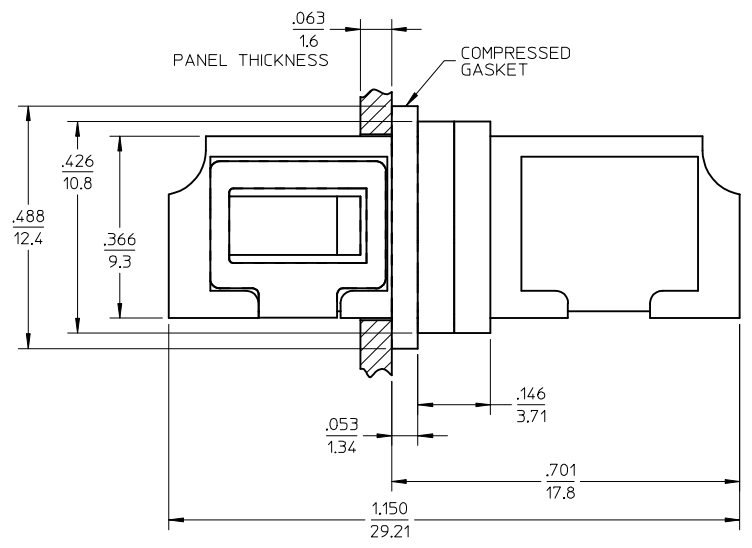
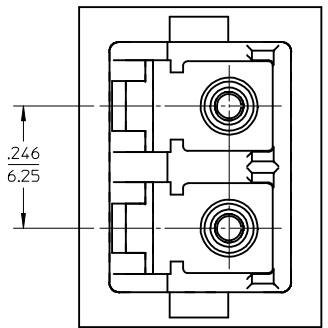
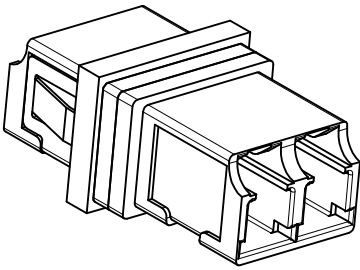


10	9	8	7	6	5	4	3	2	1
ADAPTER P/N	SPLIT SLEEVE MATERIAL								
106115-2100	Zr								
106115-2106	Ph. Bronze								



RECOMMENDED PANEL CUTOUT
 PANEL THICKNESS - 1.6mm/.063"



- NOTES:
1. ALL DIMENSIONS ARE FOR REFERENCE ONLY.
 2. CONDUCTIVE FABRIC OVER FOAM GASKET IS SUPPLIED WITH PART.
 3. PART IS DIECAST.
 4. DUST CAPS NOT SHOWN.
 5. PACKAGING: 25 ADAPTERS PER TRAY AND 4 TRAYS PER BOX. PACKING TRAY AND SHIPPING CONTAINER ARE LABELED WITH MX P/N AND REVISION.

ENTER DESCRIPTION EC NO: MF2016-0021 DRWN: YBEDNYAK 2015/07/14 CHKD: APPR: IGUMIN 2015/07/15 REV D	QUALITY SYMBOLS $\nabla F=0$ $\nabla E=0$ $\nabla D=0$	GENERAL TOLERANCES (UNLESS SPECIFIED) mm INCH 4 PLACES ± --- ± --- 3 PLACES ± --- ± --- 2 PLACES ± --- ± --- 1 PLACE ± --- ± --- 0 PLACE ± ± ANGULAR ±1/2° DRAFT WHERE APPLICABLE MUST REMAIN WITHIN DIMENSIONS	DIMENSION STYLE IN/MM DRAWN BY PGIBLIN DATE 2005/12/08 CHECKED BY DATE APPROVED BY DATE	SCALE 4:1 DESIGN UNITS INCH THIRD ANGLE PROJECTION	TITLE LC-D EMI ADAPTER, (SNAP MOUNT) molex	MATERIAL NO. SEE TABLE	DOCUMENT NO. SD-106115-210X	SHEET NO. 1 OF 1
	THIS DRAWING CONTAINS INFORMATION THAT IS PROPRIETARY TO MOLEX INCORPORATED AND SHOULD NOT BE USED WITHOUT WRITTEN PERMISSION							
	SIZE B							
	THIS DRAWING CONTAINS INFORMATION THAT IS PROPRIETARY TO MOLEX INCORPORATED AND SHOULD NOT BE USED WITHOUT WRITTEN PERMISSION							