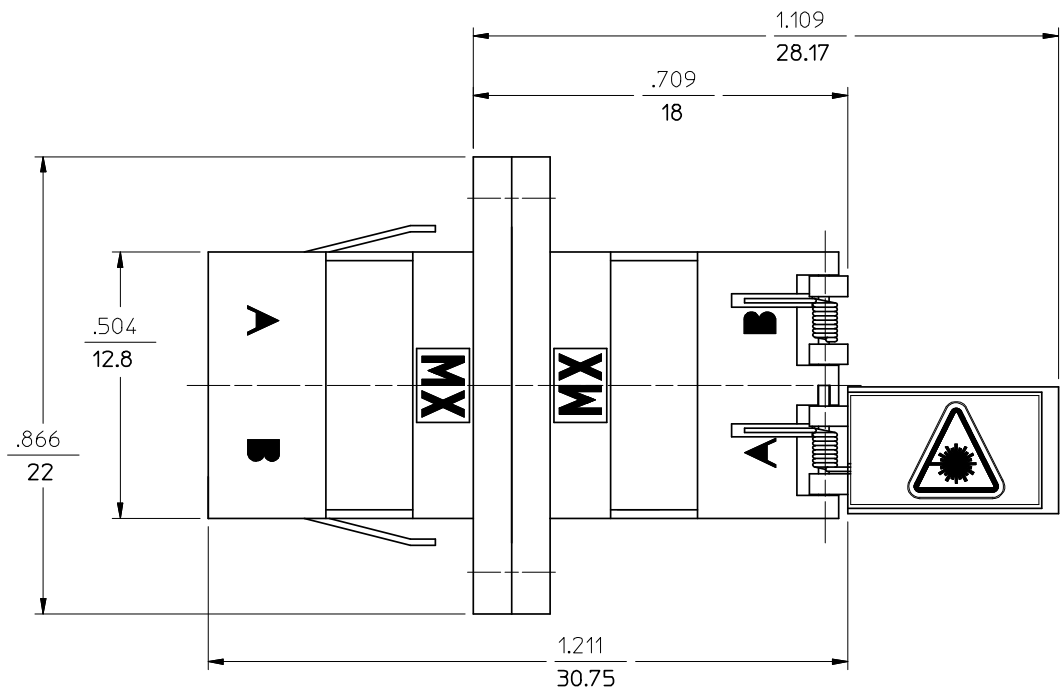
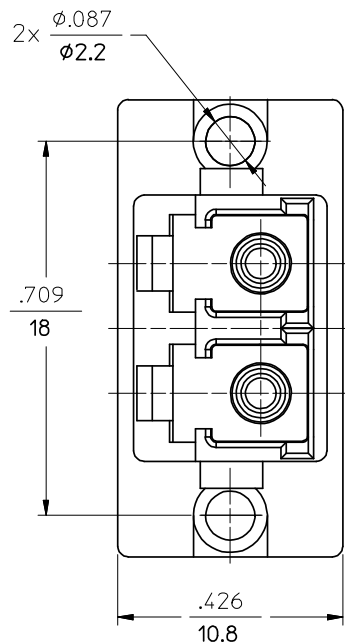
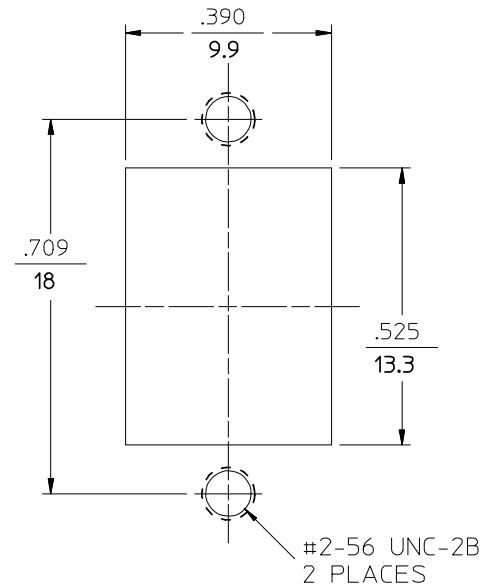
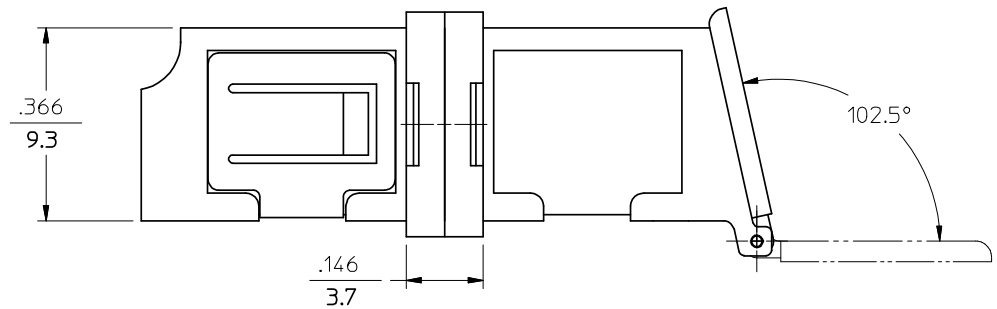
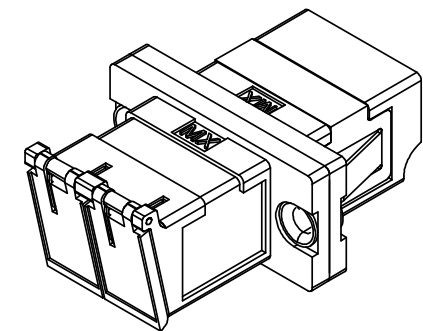


10	9
LC ADAPTER ASSY. P/N	LC SLEEVE MATERIAL
106127-0590	PH. BRONZE
106127-1590	ZR



RECOMMENDED MOUNTING CUTOUT FOR .063 THICK PANEL



- NOTES:
1. ALL DIMENSIONS ARE FOR REFERENCE ONLY.
 2. DUST CAPS NOT SHOWN.
 3. ADAPTER TO BE PACKAGED IN TRAY.

ENTER DESCRIPTION EIC NO: MF2008-0344 DRWN:KPEVZNER CHKD: APPR: IGUMIN REV A2	QUALITY SYMBOLS ▼=0 ∇=0	GENERAL TOLERANCES (UNLESS SPECIFIED) mm INCH 4 PLACES ±--- ±--- 3 PLACES ±--- ±--- 2 PLACES ±--- ±--- 1 PLACE ±--- ±--- ANGULAR ±1/2°	DIMENSION STYLE IN/MM	SCALE 4:1	DESIGN UNITS INCH	THIRD ANGLE PROJECTION	
	DRAWN BY PGIBLIN	DATE 2005/10/05	TITLE METAL LC DUPLEX ADAPTER				
	CHECKED BY	DATE	APPROVED BY				
	APPROVED BY	DATE	MATERIAL NO. SEE TABLE				
DRAFT WHERE APPLICABLE MUST REMAIN WITHIN DIMENSIONS		DOCUMENT NO. SD-106127-X590	SHEET NO. 1 OF 01	THIS DRAWING CONTAINS INFORMATION THAT IS PROPRIETARY TO MOLEX INCORPORATED AND SHOULD NOT BE USED WITHOUT WRITTEN PERMISSION			