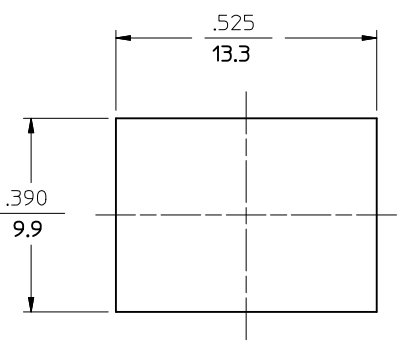
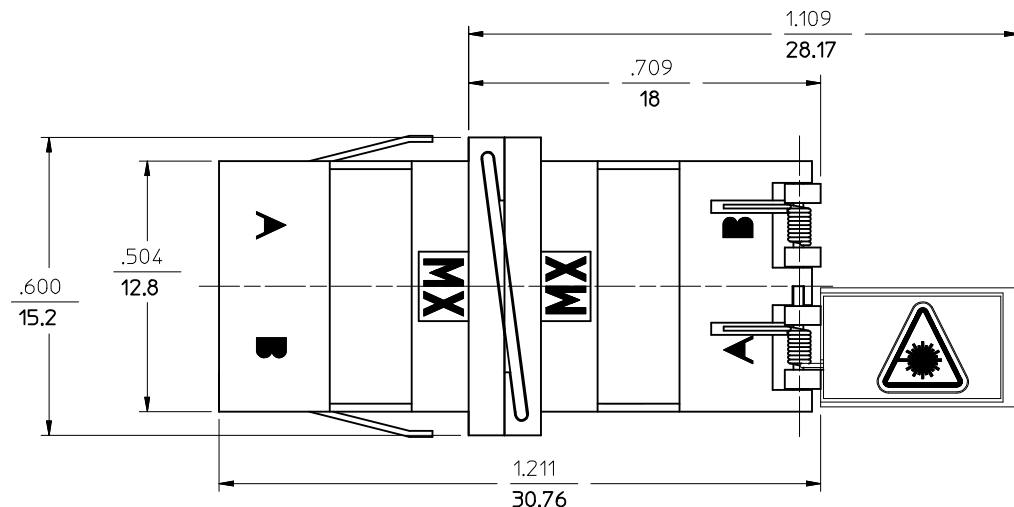
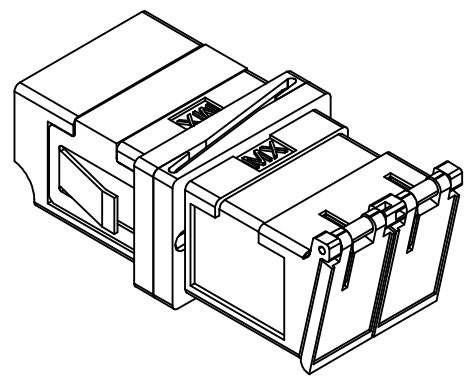
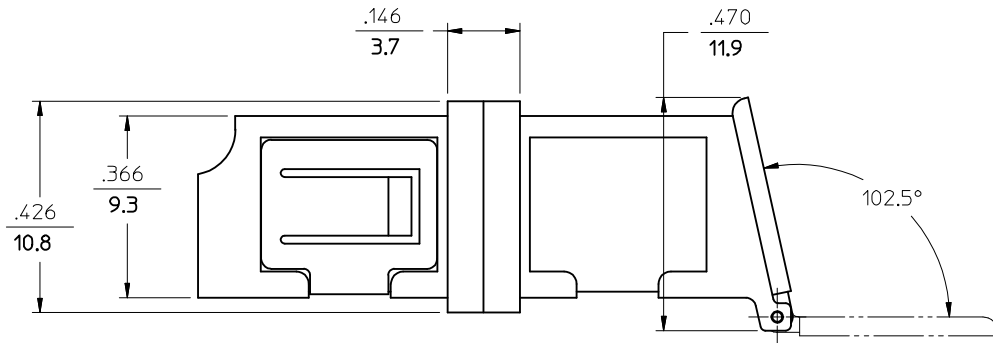
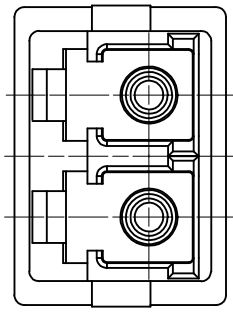


10	9	8	7	6	5	4	3	2	1
LC ADAPTER ASSY. P/N	LC SLEEVE MATERIAL								
106127-0690	Ph. BRONZE								
106127-1690	ZR								



RECOMMENDED MOUNTING PATTERN  
FOR  $\frac{.063}{1.6}$  THICK PANEL



- NOTES:
1. ALL DIMENSIONS ARE FOR REFERENCE ONLY.
  2. ASSEMBLE MOUNTING PLATE AND LABELS AS SHOWN.
  3. DUST CAP NOT SHOWN.
  4. ADAPTERS TO BE PACKED IN TRAYS.

<b>ENTER DESCRIPTION</b> EC NO: MF2009-0618 DRAWN: SMIGO 2009/06/08 CHKD: BANDREI 2009/06/08 APPR: BANDREI 2009/06/09	<b>QUALITY SYMBOLS</b> =0 =0	<b>GENERAL TOLERANCES (UNLESS SPECIFIED)</b>		<b>DIMENSION STYLE</b> IN/MM	<b>SCALE</b> INCH	<b>DESIGN UNITS</b> INCH	<b>THIRD ANGLE PROJECTION</b>		
		4 PLACES ± --- ± --- 3 PLACES ± --- ± --- 2 PLACES ± --- ± --- 1 PLACE ± --- ± ---	mm INCH ± --- ± --- ± --- ± --- ± --- ± --- ± --- ± ---	DRAWN BY PGIBLIN	DATE 2005/10/05	<b>TITLE</b> LC DUPLEX ADAPTER, METAL			
		ANGULAR ±1/2°		APPROVED BY	DATE	<b>MOLEX INCORPORATED</b>			
		DRAFT WHERE APPLICABLE MUST REMAIN WITHIN DIMENSIONS		MATERIAL NO. <b>SEE TABLE</b>	DOCUMENT NO. SD-106127-X690	SHEET NO. 1 OF 1			
THIS DRAWING CONTAINS INFORMATION THAT IS PROPRIETARY TO MOLEX INCORPORATED AND SHOULD NOT BE USED WITHOUT WRITTEN PERMISSION									