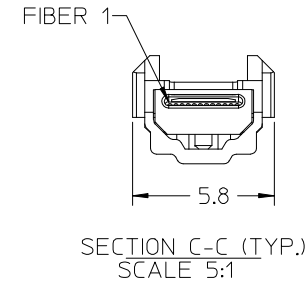
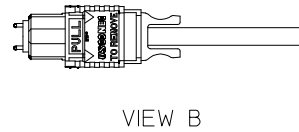
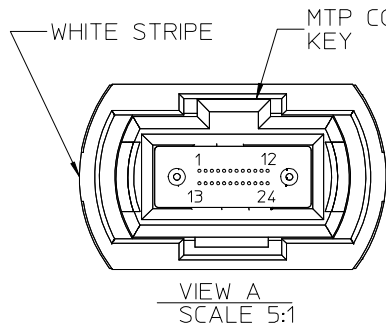
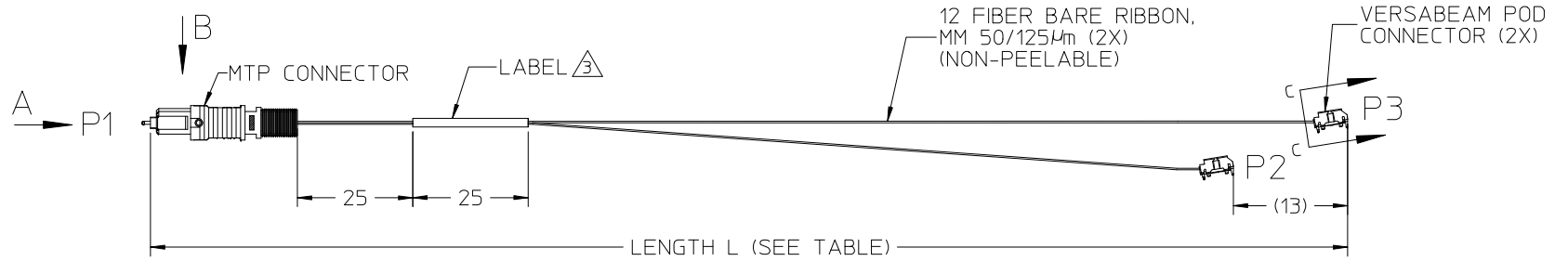


JUMPER P/N	LENGTH L [m]	MTP CONN. TYPE
106267-2020	0.15 +0.025/-0	FEMALE
106267-2021	0.5 +0.1/-0	
106267-2022	1.0 +0.2/-0	
106267-2030	0.15 +0.025/-0	MALE
106267-2031	0.5 +0.1/-0	
106267-2032	1.0 +0.2/-0	

CONNECTIONS	
P1-1 THRU P1-12	P3-1 THRU P3-12
P1-13 THRU P1-24	P2-1 THRU P2-12



NOTES:

1. END CAPS ARE NOT SHOWN BUT INCLUDED.
2. MTP MALE CONNECTOR IS SHOWN. FEMALE CONNECTOR DOES NOT CONTAIN PINS.
3. INSERTION LOSS @ 850nm TO AN INTERPOSER: 2.0 dB. THROUGHPUT LOSS (MTP+VERSABEAM POD): 1.2dB. TEST DATA IS SENT WITH JUMPER.
4. LABEL IS PRINTED WITH MOLEX NAME, PART NUMBER AND SERIAL NUMBER.

ENTER DESCRIPTION EC NO: MF2015-0076 DRW: MGHAYERE 2014/08/05 CHKD: YB APPR: YBEDNYAK 2014/08/13 E2	QUALITY SYMBOLS ▽=0 ▽=0	GENERAL TOLERANCES (UNLESS SPECIFIED) mm INCH 4 PLACES ± --- ± --- 3 PLACES ± --- ± --- 2 PLACES ± --- ± --- 1 PLACE ± --- ± --- 0 PLACE ± ± ANGULAR ±1/2°	DIMENSION STYLE MM ONLY DRAWN BY DATE EEFUNG 2010/08/09 CHECKED BY DATE APPROVED BY DATE 2014/02/17	SCALE 1:1 DESIGN UNITS INCH THIRD ANGLE PROJECTION	TITLE MTP24 TO 2X VERSABEAM POD JUMPER, MM 50/125UM molex	MATERIAL NO. SEE TABLE	DOCUMENT NO. SD-106267-2021	SHEET NO. 1 OF 1	
	DRAFT WHERE APPLICABLE MUST REMAIN WITHIN DIMENSIONS		SIZE B	THIS DRAWING CONTAINS INFORMATION THAT IS PROPRIETARY TO MOLEX INCORPORATED AND SHOULD NOT BE USED WITHOUT WRITTEN PERMISSION					