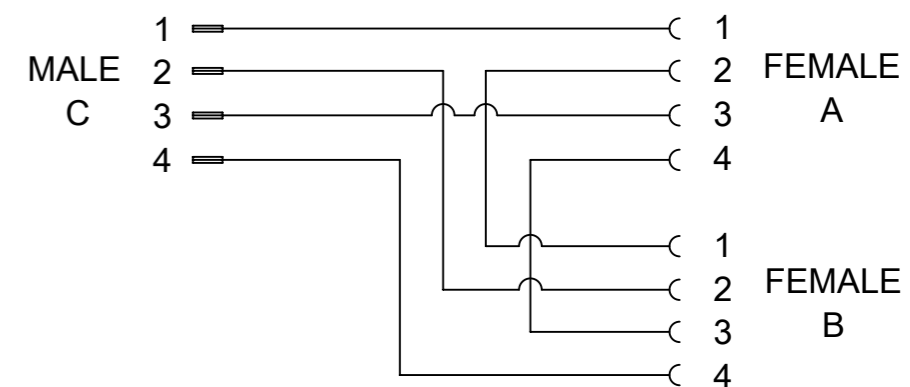
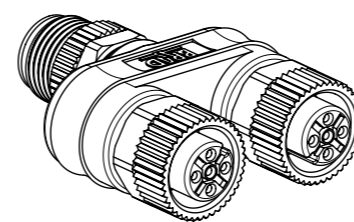


WIRING DIAGRAM
Verdrahtungsplan



SCALE 1:1



CONNECTOR SPECIFICATION / Steckverbindungs-Eigenschaften	
VOLTAGE RATING/Betriebsspannung	250V AC/DC
AMPERAGE RATING/Bemessungsstrom	max. 4 AMPS (40°C)
PROTECTION/IP-Schutzart	IP67
OPERATING TEMPERATURE/Temperaturbereich	-25°C TO +90°C

POS.	DESCRIPTION	MATERIAL	FINISH
1	INSERT MALE	PUR	BLACK
2	CONTACT MALE	COPPER ALLOY	GOLD OVER NICKEL
3	NUT MALE	BRASS	NICKEL PLATED
4	OVERMOULD	ELASTOLLAN	RED
5	NUT FEMALE	BRASS	NICKEL PLATED
6	INSERT FEMALE	TPU	BLACK
7	CONTACT FEMALE	COPPER ALLOY	GOLD OVER NICKEL
8	GASKET	FPM	RED

RELEASE STATUS | P1 | RELEASE DATE | 18.04.2016 | 15:44:47

<p>THIS DRAWING CONTAINS INFORMATION THAT IS PROPRIETARY TO MOLEX ELECTRONIC TECHNOLOGIES, LLC AND SHOULD NOT BE USED WITHOUT WRITTEN PERMISSION</p>				
<p>QUALITY SYMBOLS</p> <p>FA = 0</p> <p>FE = 0</p> <p>FB = 0</p> <p>▼ = 0</p> <p>∇ = 0</p> <p>⊗ = 0</p> <p>■ = 0</p> <p>▽ = 0</p>	<p>2016/04/14</p> <p>2016/04/18</p>	<p>GENERAL TOLERANCES (UNLESS SPECIFIED)</p> <p>MM SCALE 2:1</p>		<p>molex</p> <p>SPL YS M12 4P AC MA/FE</p>
		<p>4 PLACES ±</p> <p>3 PLACES ±</p> <p>2 PLACES ± 0.05</p> <p>1 PLACE ± 0.3</p> <p>0 PLACES ± 0.5</p>		
<p>EC NO: 104347</p> <p>DRWN: FGAIK</p> <p>CHK'D: CBRUNS</p> <p>REV APPR: CBRUNS</p>		<p>DRAFT WHERE APPLICABLE MUST REMAIN WITHIN DIMENSIONS</p> <p>A3 THIRD ANGLE PROJECTION</p>		<p>PRODUCT CUSTOMER DRAWING</p>
<p>RELEASE STATUS P1 RELEASE DATE 18.04.2016 15:44:47</p>		<p>DRIVING DIMENSIONS</p>		<p>SERIES: 120068 MATERIAL NUMBER: 1200688219 CUSTOMER: GENERAL MARKET</p>
<p>A2</p>		<p>DOCUMENT NUMBER: 1200688219 DOC TYPE: PSD DOC PART: 000 SHEET NUMBER: 1 OF 1</p>		