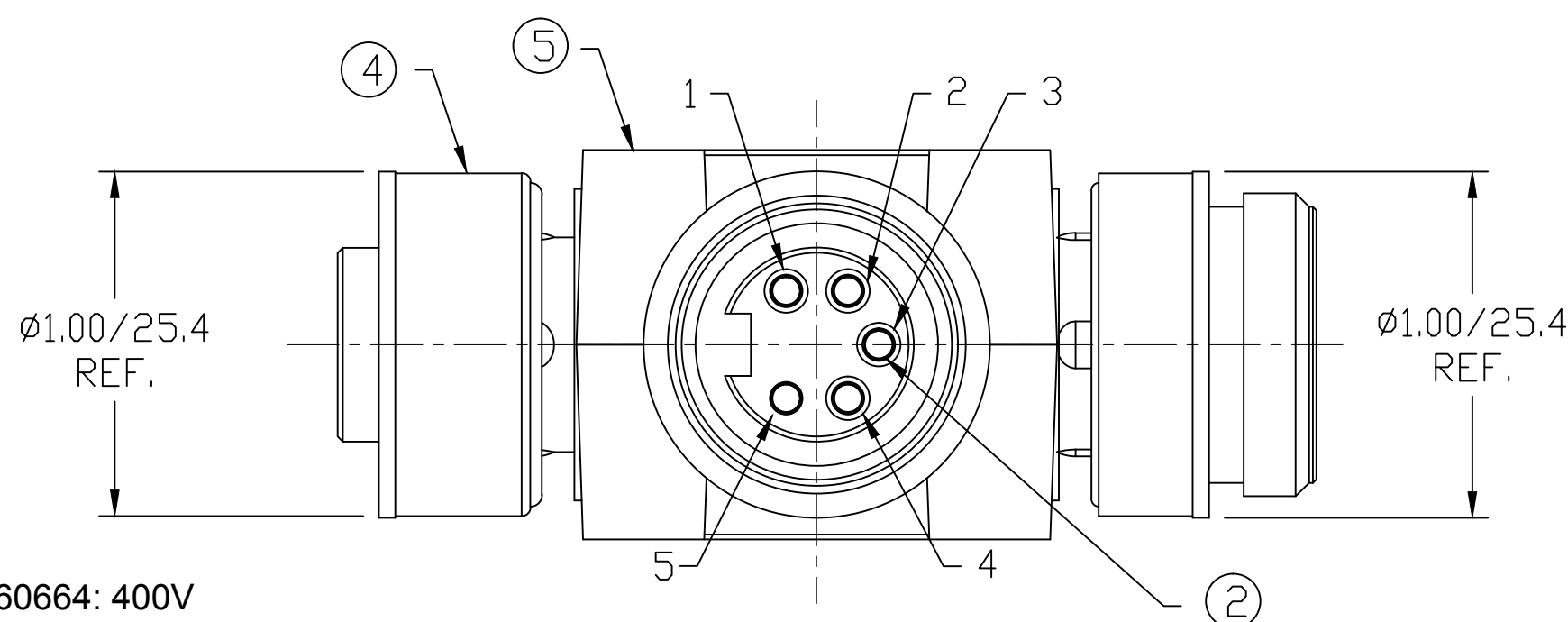
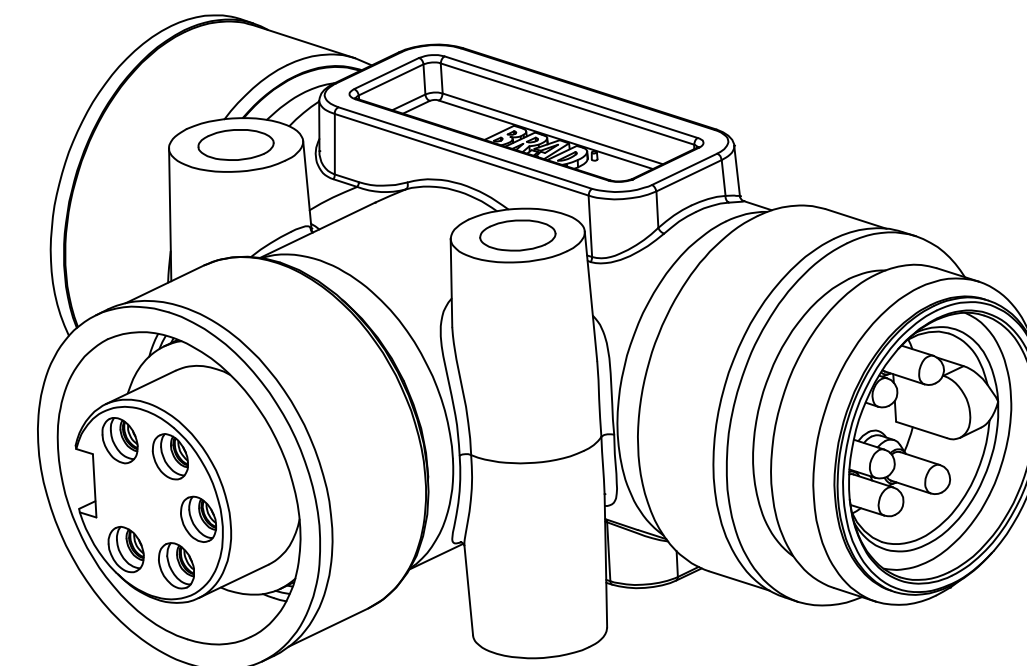
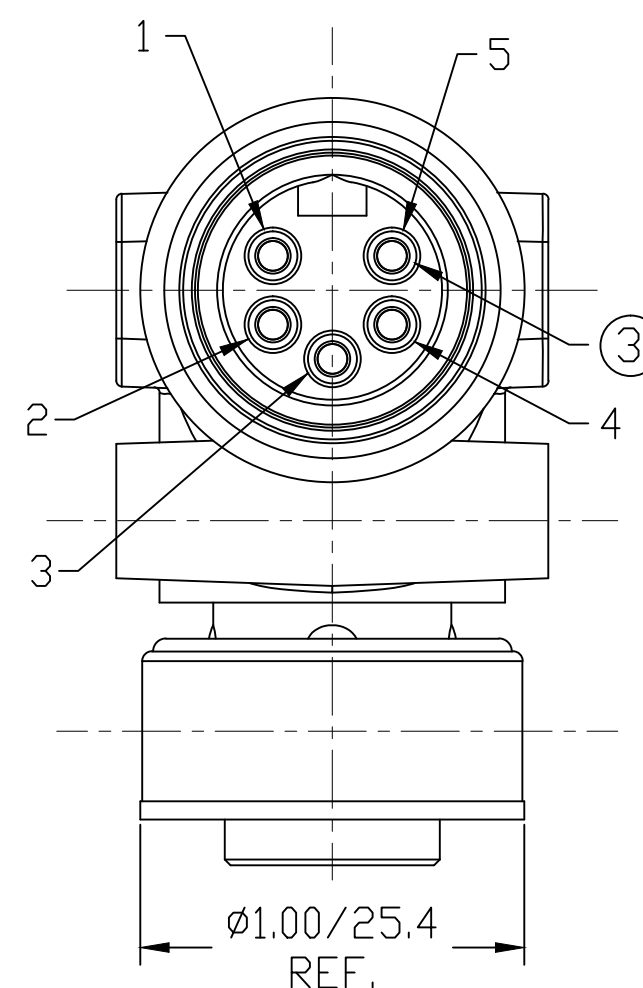
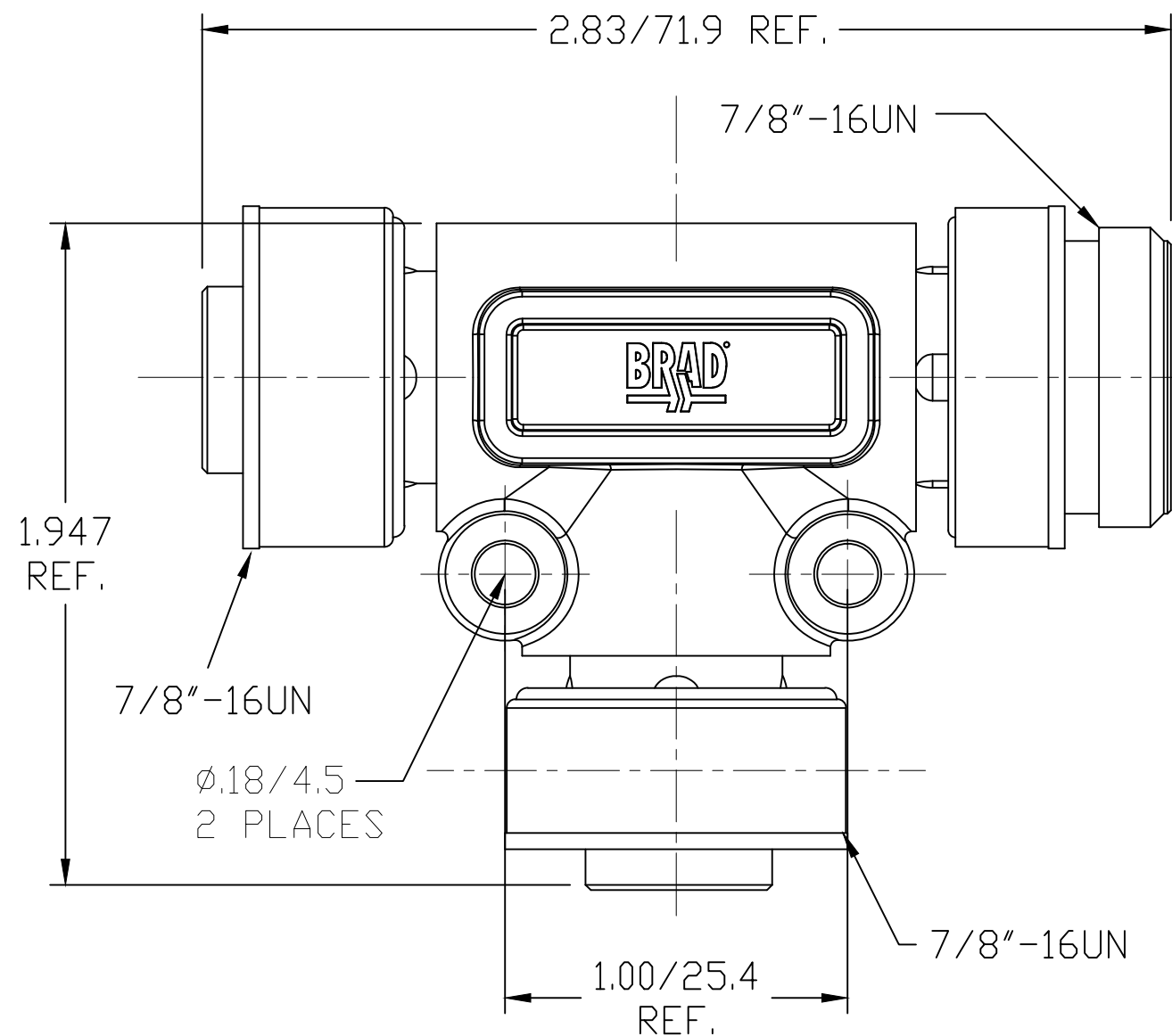
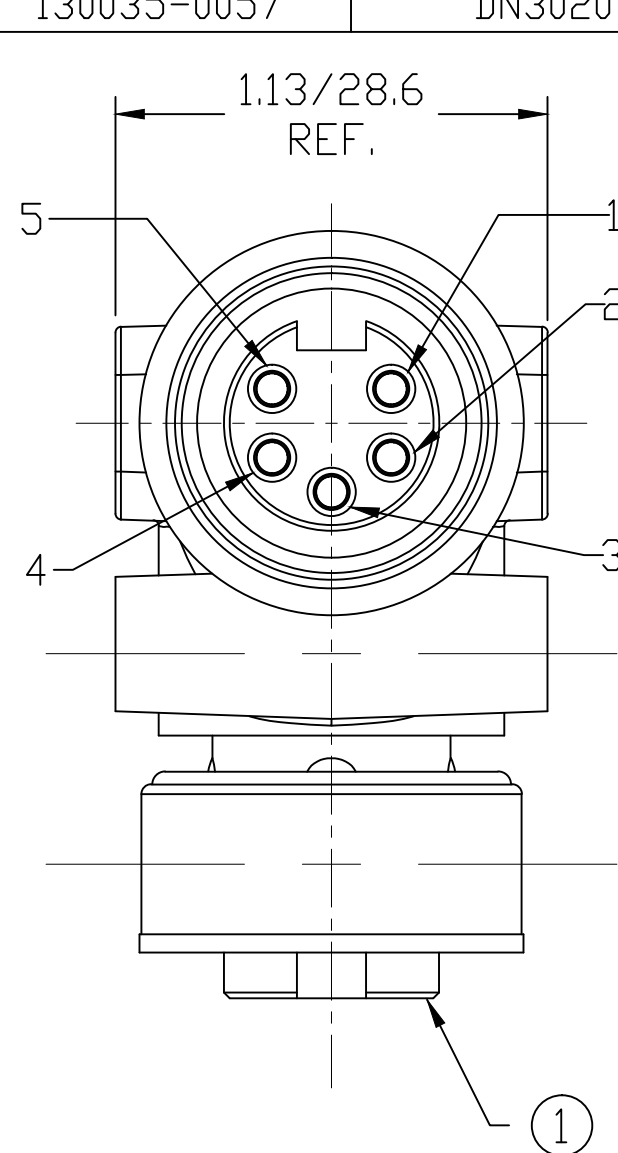


MATERIAL NUMBER

OLD PART NUMBER

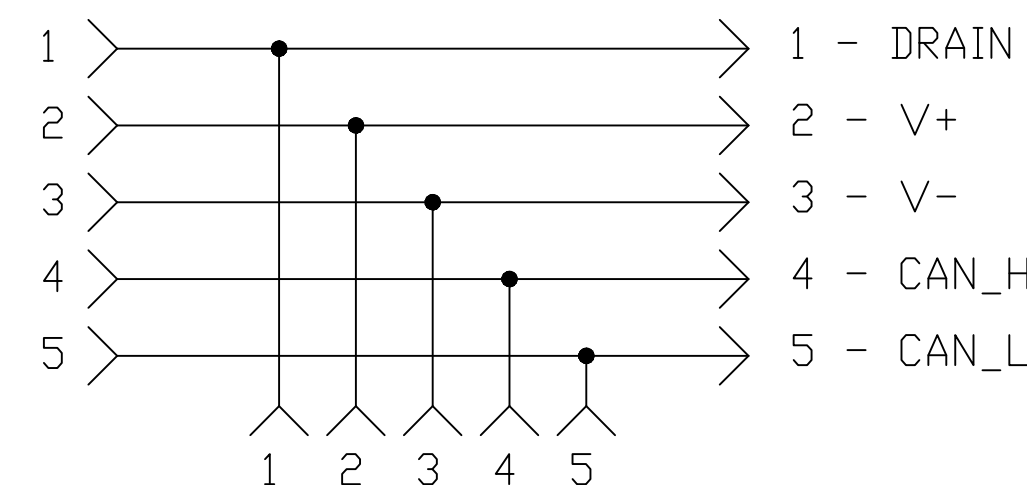
130035-0057

DN3020



- NOTES: ©
- MATERIAL: AS NOTED
 - FINISH: AS NOTED
 - ELECTRICAL:
VOLTAGE RATING PER IEC 60664: 400V
VOLTAGE RATING PER UL: 600V
CURRENT: 8A
 - TEMP RATING: -20° TO +80°C
 - PROTECTION: IP67 (WHEN MATED)
 - COUPLING THREAD- AS NOTED
 - AGENCY:
UL RECOGNIZED FILE: E152210
CSA CERTIFICATION FILE: LR6837
 - ALL DIMS ARE FOR REFERENCE UNLESS NOTED OTHERWISE

SCHEMATIC



ITEM	COMPONENT	MATERIAL	FINISH
1	INSERT	TPE	GRAY
2	CONTACT SOCKET	COPPER ALLOY	GOLD OVER NICKEL
3	CONTACT PIN	COPPER ALLOY	GOLD OVER NICKEL
4	COUPLING NUT	ZINC DIE CAST	BLACK E-COATED
5	OVERMOLD	TPE	GRAY

UPDATE NOTES	QUALITY SYMBOL
EC NO: IPG2018-0152	▽=0
DRWN: AAKHTAR 2017/08/25	∇=0
CHKD: RSTONE	
APPR: BWOODMAN	
REV	

GENERAL TOLERANCES (UNLESS SPECIFIED)	
	mm INCH
4 PLACES	±--- ±---
3 PLACES	±--- ±.005
2 PLACES	±0.13 ±.010
1 PLACE	±0.25 ±.020
ANGULAR ±1/2°	
DRAFT WHERE APPLICABLE MUST REMAIN WITHIN DIMENSIONS	

DIMENSION STYLE	
IN/MM	
DRAWN BY	DATE
BW	2009/03/04
CHECKED BY	DATE
JM	2009/03/04
APPROVED BY	DATE
----	----
MATERIAL NO.	1300350057
SIZE	C

SCALE	DESIGN UNITS	THIRD ANGLE PROJECTION
NTS	INCH	☉
TITLE		
MINI-CHANGE 5-POLE TEE DEVICENET		
MOLEX INCORPORATED		
MATERIAL NO.	DOCUMENT NO.	SHEET NO.
1300350057	SD-130035-002	1 OF 1
THIS DRAWING CONTAINS INFORMATION THAT IS PROPRIETARY TO MOLEX INCORPORATED AND SHOULD NOT BE USED WITHOUT WRITTEN PERMISSION		