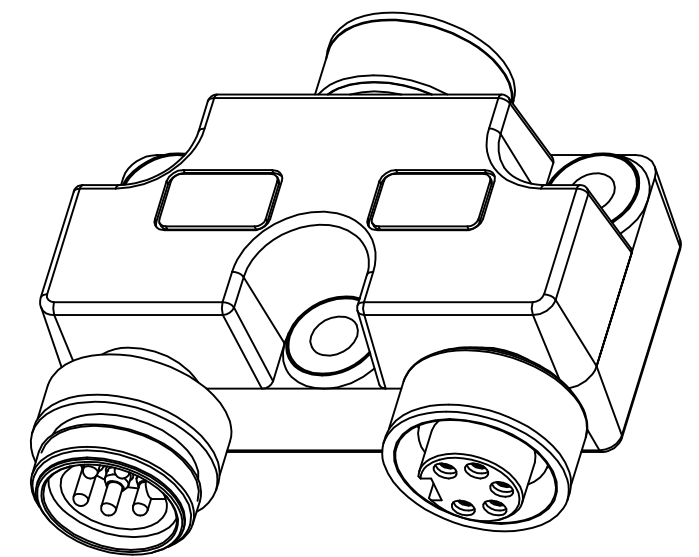
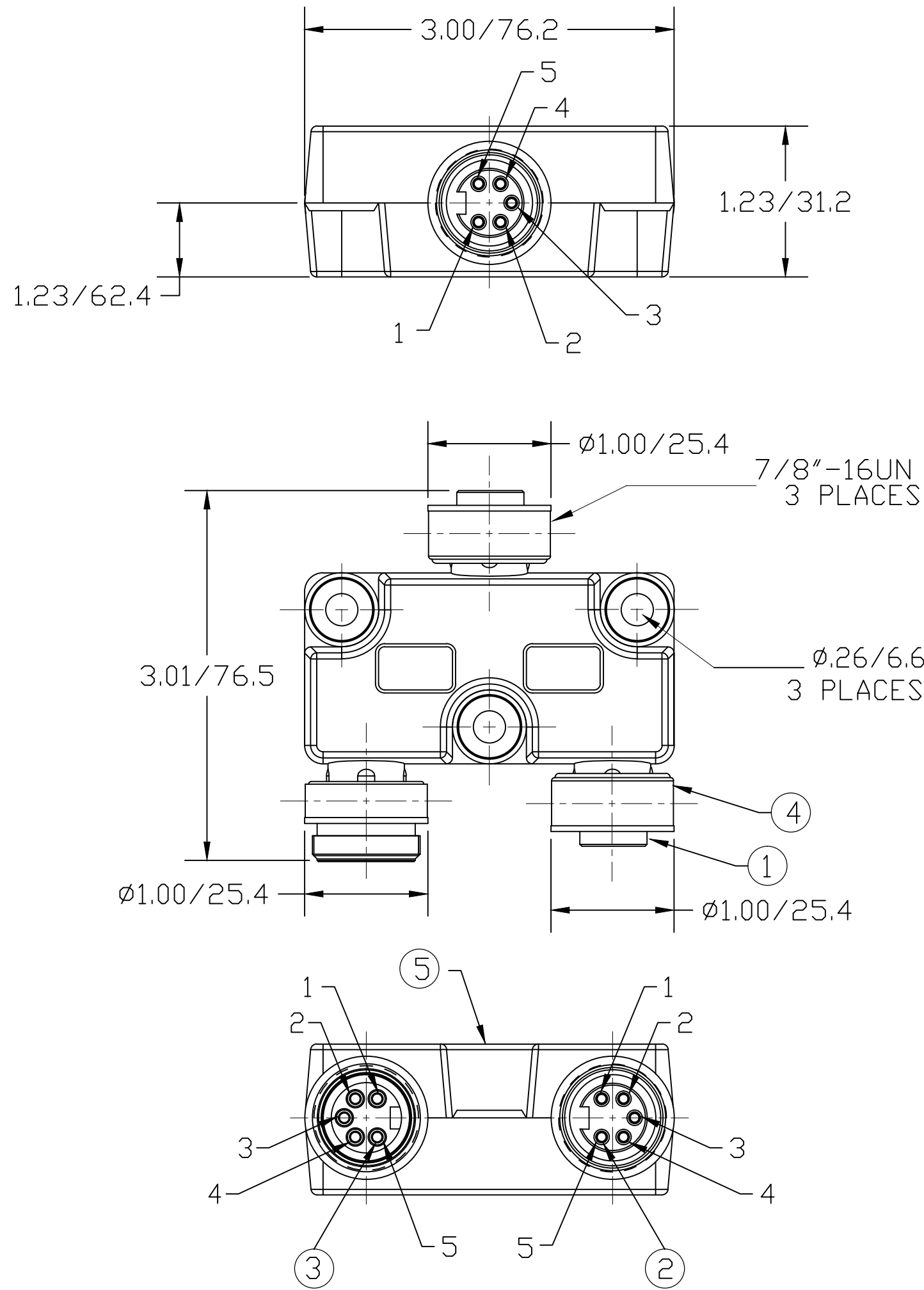
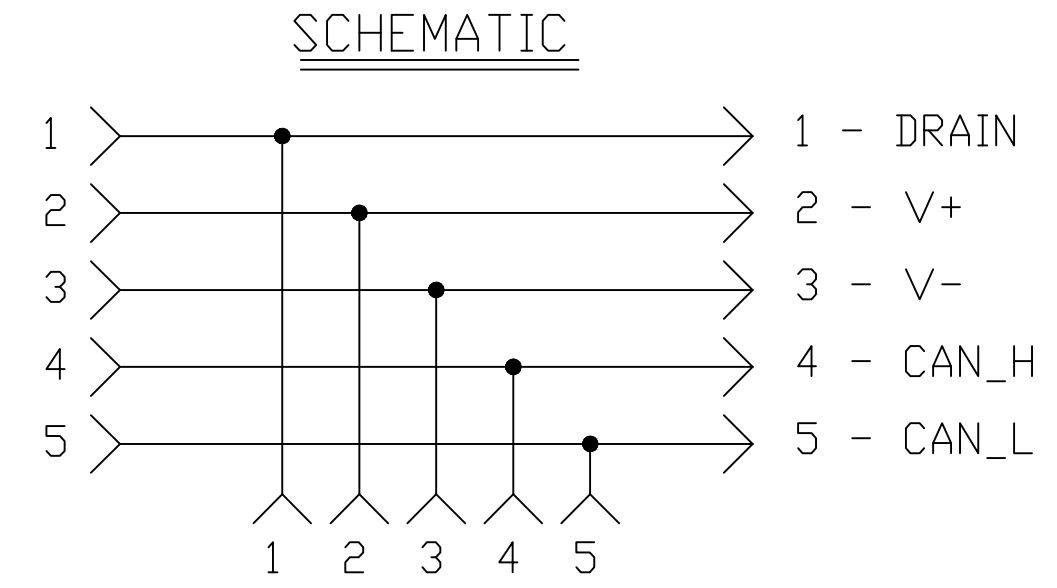


MATERIAL NUMBER	OLD PART NUMBER
130035-0071	DN3200



- NOTES:** (B)
- MATERIAL: AS NOTED
  - FINISH: AS NOTED
  - ELECTRICAL:  
VOLTAGE RATING PER IEC 60664: 400V  
VOLTAGE RATING PER UL: 600V  
CURRENT: 8A
  - TEMP RATING: -20° TO +80°C
  - PROTECTION: IP67 (WHEN MATED)
  - COUPLING THREAD- AS NOTED
  - AGENCY:  
UL RECOGNIZED FILE: E152210
  - ALL DIMS ARE FOR REFERENCE UNLESS NOTED OTHERWISE



ITEM	COMPONENT	MATERIAL	FINISH
1	INSERT	TPE	GRAY
2	CONTACT SOCKET	COPPER ALLOY	GOLD OVER NICKEL
3	CONTACT PIN	COPPER ALLOY	GOLD OVER NICKEL
4	COUPLING NUT	ZINC DIE CAST	BLACK E-COATED
5	OVERMOLD	TPE	GRAY

UPDATE NOTES EC NO: IPG2018-0152 DRWN: AAKHTAR 2017/08/25 CHKD: RSTONE APPR: BWOODMAN2009/08/26	QUALITY SYMBOL ▽=0 ∇=0	GENERAL TOLERANCES (UNLESS SPECIFIED)		DIMENSION STYLE IN/MM		SCALE	DESIGN UNITS	THIRD ANGLE PROJECTION			
			mm	INCH	DRAWN BY	DATE	----	METRIC	MINI 5-POLE TEE WYE DEVICENET		
		4 PLACES	±--	±---	BW	2009/08/24	TITLE				
		3 PLACES	±--	±---	CHECKED BY	DATE					
2 PLACES	±--	±.01	JM	2009/08/24							
1 PLACE	±0.3	±---	APPROVED BY	DATE							
ANGULAR ±---°		DRAFT WHERE APPLICABLE MUST REMAIN WITHIN DIMENSIONS		JFMURPHY	2009/08/26	MOLEX INCORPORATED					
				MATERIAL NO.		DOCUMENT NO.		SHEET NO.			
				1300350057		SD-130035-007		1 OF 1			
				THIS DRAWING CONTAINS INFORMATION THAT IS PROPRIETARY TO MOLEX INCORPORATED AND SHOULD NOT BE USED WITHOUT WRITTEN PERMISSION							