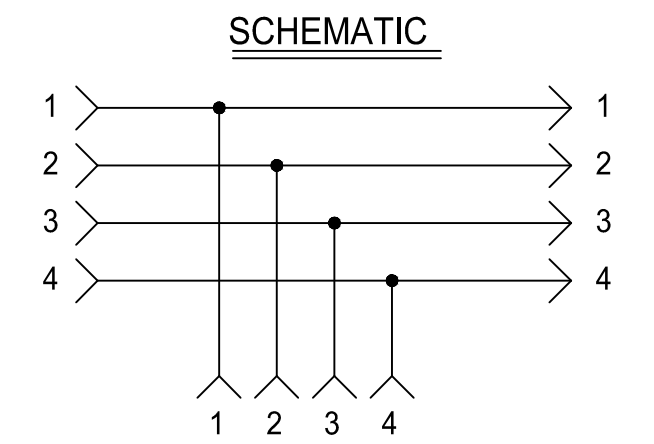
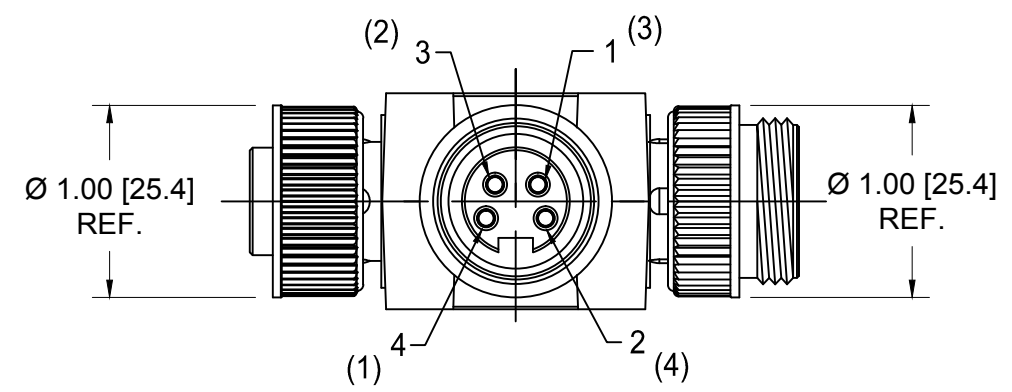
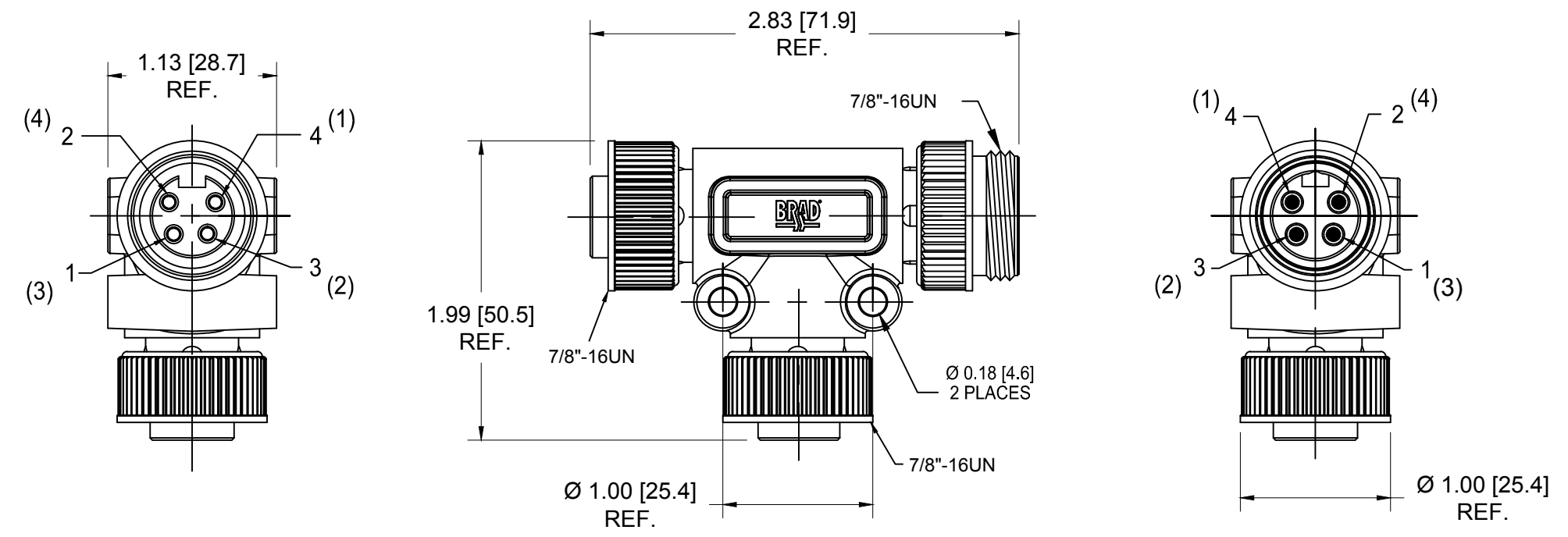


MOLEX SAP P/N	ENGINEERING P/N	COLOR
1300350085	DNETAUXPT	YELLOW
1300350115	DNETAUXPTG	BLACK

* CENELEC EN 50 044 PINOUT SHOWN
(SAE-J-1738A SHOWN IN PARENTHESIS)

(B)



SPECIFICATIONS:

COUPLING NUT MATERIAL: ZINC DIECAST WITH
BLACK ELECTROPHORETIC COATING
CONTACT MATERIAL: GOLD/NICKEL OVER COPPER ALLOY
INSERT MATERIAL: TPE, COLOR: SEE CHART
OVERMOLD MATERIAL: TPE, COLOR: SEE CHART
ASSEMBLY RATING: 600V, 10A
ENVIRONMENTAL: -20°C TO 80°C
IP67 WHEN MATED
AGENCY APPROVALS: UL LISTED

ADD P/N 1300350115 - BLACK EC NO: IPG2016-1763 DRWN: RSTONE 6/28/16 CHKD: M ZIELIN 2016/06/30 APPR: BWOODMAN 2012/07/05	DESCRIPTION REV B	QUALITY SYMBOLS ▽=0 ◻=0	GENERAL TOLERANCES (UNLESS SPECIFIED)		DIMENSION STYLE INCH/MM		SCALE 1:1	DESIGN UNITS INCH	THIRD ANGLE PROJECTION	
			mm	INCH	DRAWN BY	DATE	TITLE			
		4 PLACES	±---	±---	VOU	2012/06/26	MINI-CHANGE 4-POLE TEE			
		3 PLACES	±---	±.005	CHECKED BY	DATE	----			
		2 PLACES	±0.13	±.010	KJOZWIK	2012/06/31	----			
1 PLACE	±0.25	±.020	APPROVED BY	DATE	MATERIAL NO.					
	ANGULAR ±.5°		JFMURPHY	2012/07/05	SEE CHART		DOCUMENT NO.		SHEET NO.	
DRAFT WHERE APPLICABLE MUST REMAIN WITHIN DIMENSIONS			MATERIAL NO.		SEE CHART		SD-130035-014		1 OF 1	
THIS DRAWING CONTAINS INFORMATION THAT IS PROPRIETARY TO MOLEX INCORPORATED AND SHOULD NOT BE USED WITHOUT WRITTEN PERMISSION										