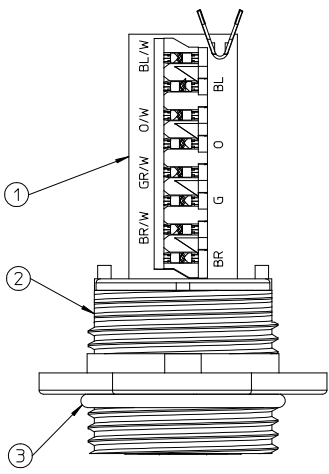
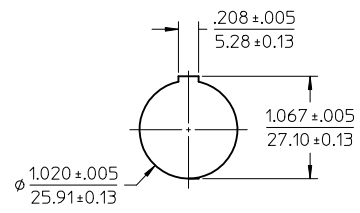


MATERIAL NO.	ENG. NO.
1300530002	ENDR2FB5

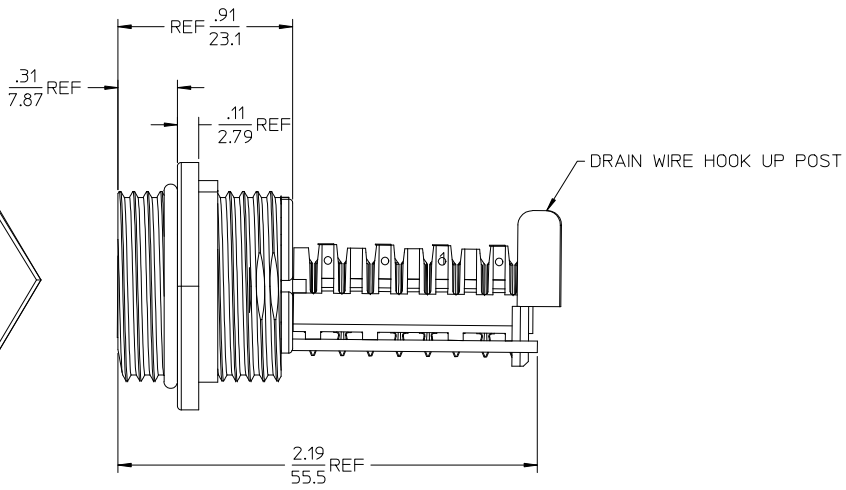
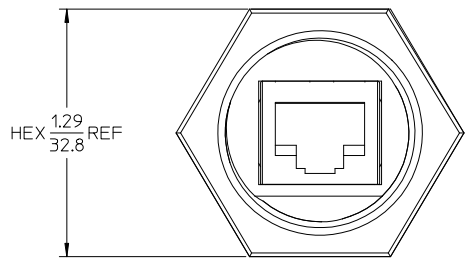
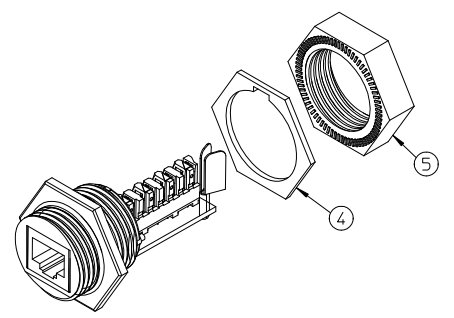


LEGEND

BL/W BLUE/WHITE
 BL BLUE
 O/W ORANGE/WHITE
 O ORANGE
 G/W GREEN WHITE
 G GREEN
 BR/W BROWN/WHITE
 BROWN BROWN



PANEL CUT OUT
 PANEL THK: .125 MAX. W/GASKET
 .187 MAX. W/OUT GASKET
 .062 MIN.



- NOTES:
- 1) MATERIAL: SEE TABLE
 - 2) FINISHES: SEE TABLE
 - 3) LABEL IS MARKED WITH P/N, BAR CODE, DESCRIPTION
 - 4) MATES WITH: RJ45 CORDSET
 - 5) ELECTRICAL DATA:
 FIELD WIRING TO PCB: 8 THRU HOLES, PLUS SHIELD
 MAX. VOLTAGE: 125V DC
 MAX. CURRENT 1.5A
 PROTECTION IP67
 TEMPERATURE RANGE: -20°C TO 80°C
 CSA & UL
 - 6) PACKAGING:
 ASSEMBLIES ARE BAGGED SEPERATELY
 IN POLY BAGS WITH BAR CODE LABEL ATTACHED
 TO OUTSIDE OF BAG.
 - 7) ASSEMBLY IS RoHS COMPLIANT.

SALES DRAWING

ITEM	QTY.	DESCRIPTION	MATERIAL	FINISH
5	1	HEX NUT	LNP	BLACK
4	1	BULKHEAD GASKET	NITRILE	BLACK
3	1	O RING	VITON	BROWN
2	1	HOUSING	ABS	BLACK
1	1	RJ45 W/PCB SUB ASSY.	---	---

MODIFIED CUTOUT EC NO: WNA2012-0069 DRWNG: J02WIK 2011/07/29 CHKD: BWOODMAN 2011/07/29 APPR: JFMURPHY 2011/08/13	QUALITY SYMBOLS
	=0 =0
	DESCRIPTION
	REV

GENERAL TOLERANCES (UNLESS SPECIFIED)

	mm	INCH
4 PLACES	± .005	± .0005
3 PLACES	± .005	± .0005
2 PLACES	± .005	± .0005
1 PLACE	± .005	± .0005

ANGULAR ±1/2°

DRAFT WHERE APPLICABLE
 MUST REMAIN WITHIN DIMENSIONS

DIMENSION STYLE		SCALE	DESIGN UNITS	THIRD ANGLE PROJECTION
IN/MM		2:1	INCH	
DRAWN BY	DATE	TITLE		
BRUPERT	04/16/09	ENET FR BPM, 568A SHD PUNCHDOWN		
CHECKED BY	DATE	MATERIAL NO.		
BWOODMAN	04/16/09	1300530002		
APPROVED BY	DATE	DOCUMENT NO.		
JMURPHY	04/16/09	SD-130053-002		

MOLEX INCORPORATED		SHEET NO.
		1 OF 1
THIS DRAWING CONTAINS INFORMATION THAT IS PROPRIETARY TO MOLEX INCORPORATED AND SHOULD NOT BE USED WITHOUT WRITTEN PERMISSION		