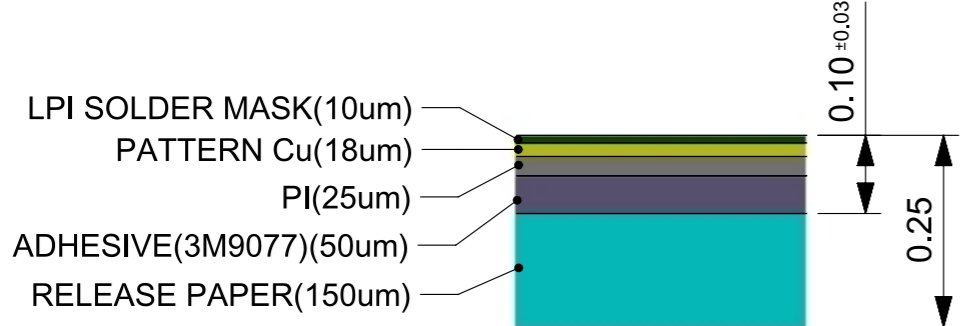
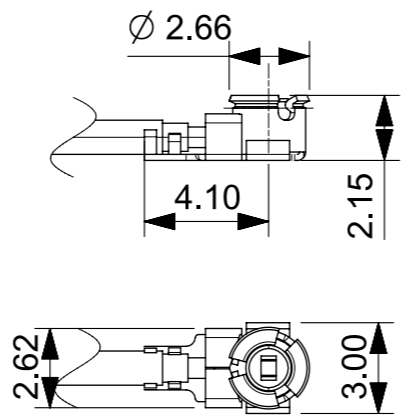


3D VIEW



DETAIL A
FLEX LAYER



CONNECTOR

ITEM	MATERIAL NO.	CABLE LENGTH "L1"	CABLE LENGTH "L2"
1	1461530050	43.5mm	50mm
2	1461530100	93.5mm	100mm
3	1461530150	143.5mm	150mm
4	1461530200	193.5mm	200mm
5	1461530250	243.5mm	250mm
6	1461530300	293.5mm	300mm

- NOTE:
- MATERIAL
FLEX:SEE FLEX LAYER
CABLE:Ø1.13mm
CONNECTOR:OD1.13,2.5H UFL CONNECTOR(GOLD PLATED)
 - CAN NOT LIFT UP CABLE IN VERTICAL DIRECTION
 - SOLDER MASK :BLACK
 - APPLICATION SPEC PLEASE REFER TO AS OF 1461530100
 - PRODUCT SPEC PLEASE REFER TO PS OF 1461530100
 - PACKAGING DRAWING PLEASE REFER TO PK OF 1461530100

THIS DRAWING CONTAINS INFORMATION THAT IS PROPRIETARY TO MOLEX INCORPORATED AND SHOULD NOT BE USED WITHOUT WRITTEN PERMISSION

EC DESCRIPTION EC NO: 167789 DRWN: Kang Cheng CHK'D: Colin xu APPR: Stary Song	08/11/17	QUALITY SYMBOLS	GENERAL TOLERANCES (UNLESS SPECIFIED) ANGULAR TOL ± 1/2 ° 4 PLACES ± 3 PLACES ± 0.05 2 PLACES ± 0.15 1 PLACE ± 0.2 0 PLACES ± 0.5 DRAFT WHERE APPLICABLE MUST REMAIN WITHIN DIMENSIONS	DIMENSION UNITS	SCALE		
	08/11/17	▽ = 0		mm	4:1		
	08/11/17	▽ = 0		DRWN BY	DATE		Kang Cheng 2017/11/08
		▽ = 0		CHK'D BY	DATE		Colin xu 2017/11/08
C1	REV			APPR BY	DATE	PRODUCT DESIGN DRAWING	
				Stary Song	2017/11/08	SERIES MATERIAL NUMBER CUSTOMER	
				DRAWING SIZE	THIRD ANGLE PROJECTION	146153 See Table GENERAL MARKET	
				A3		DOCUMENT NUMBER DOC TYPE DOC PART SHEET NUMBER	
						1461530050 PSD SD 1 OF 1	