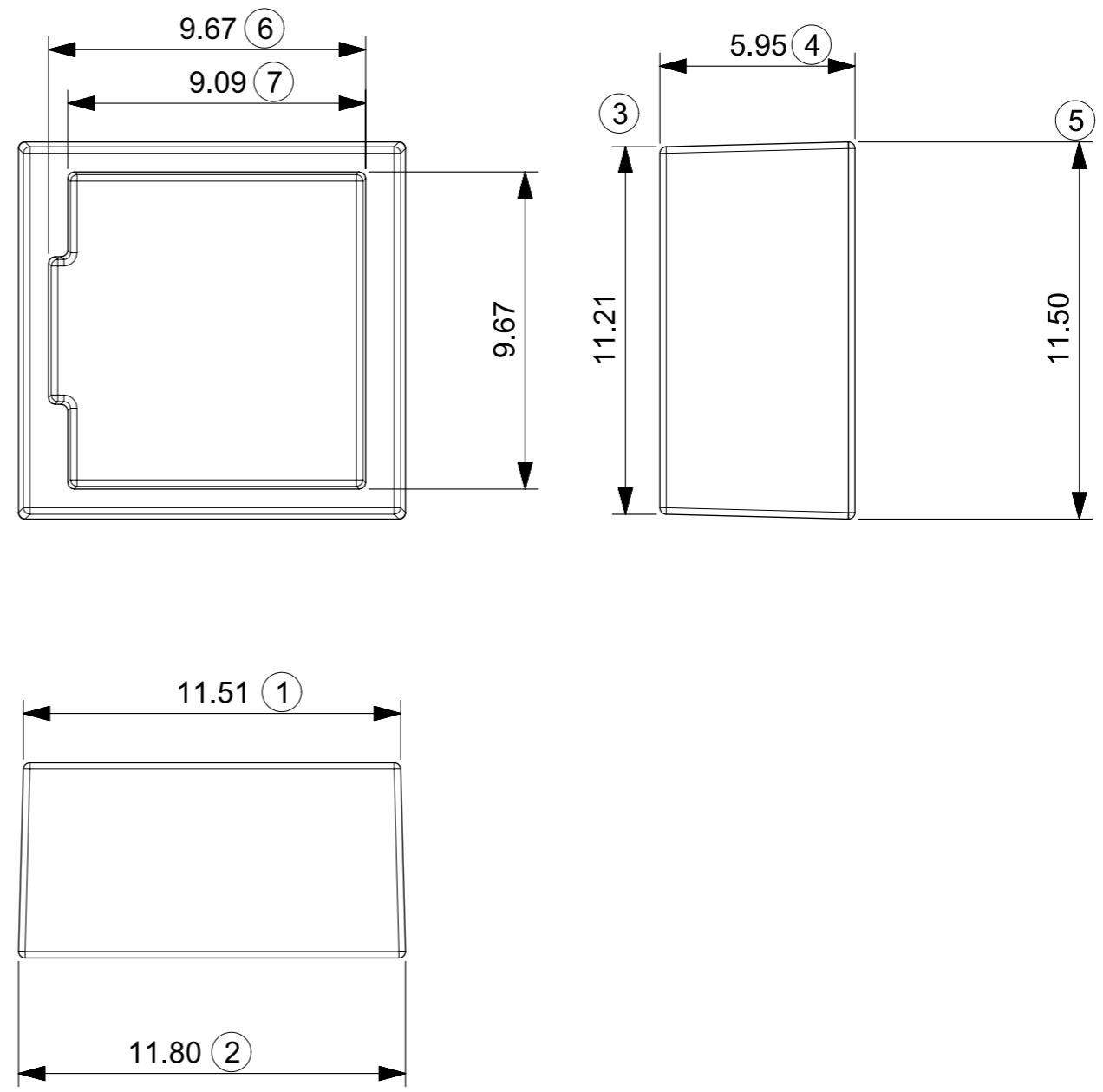
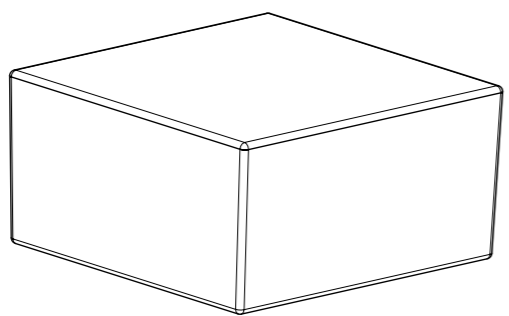


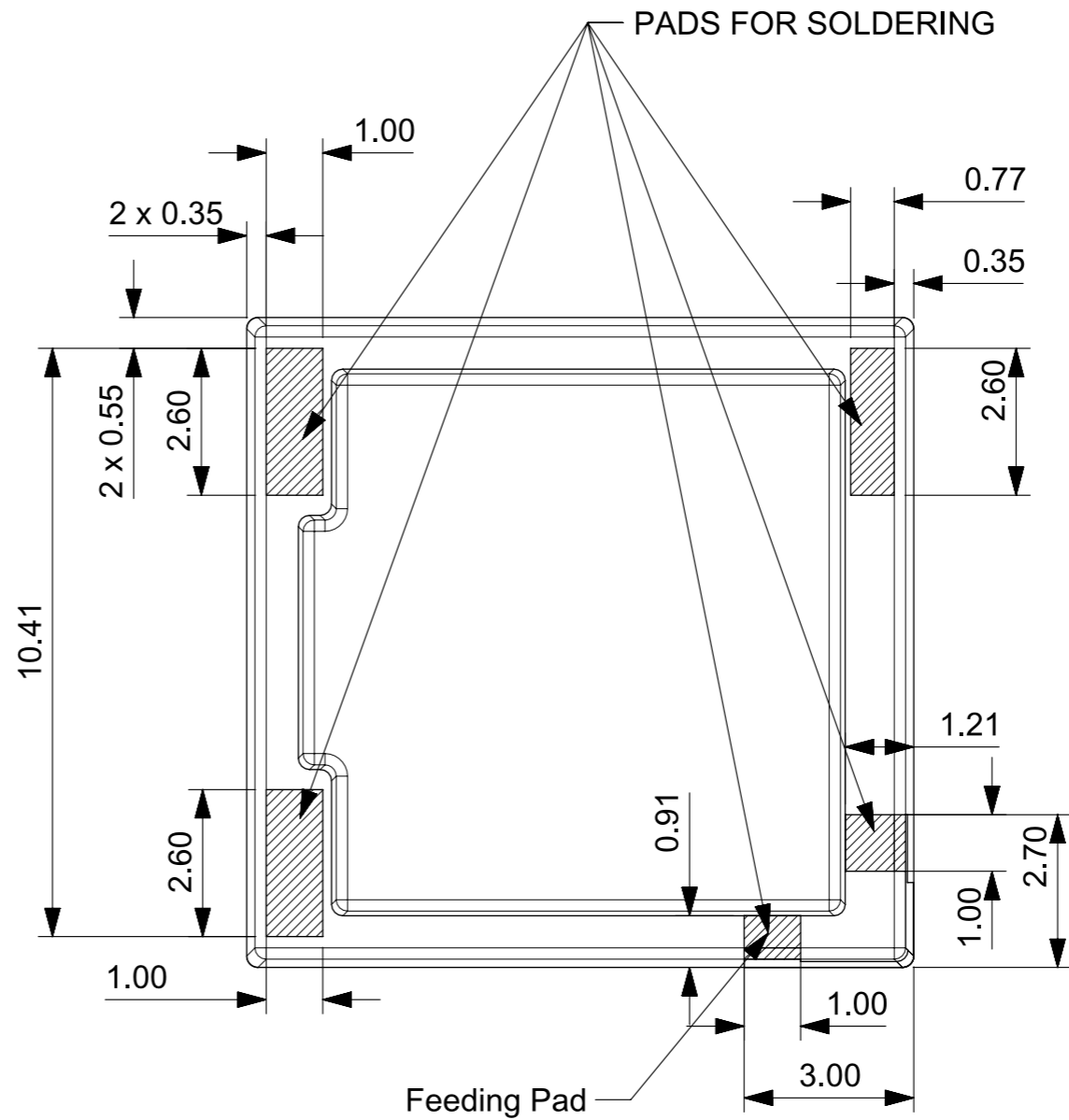
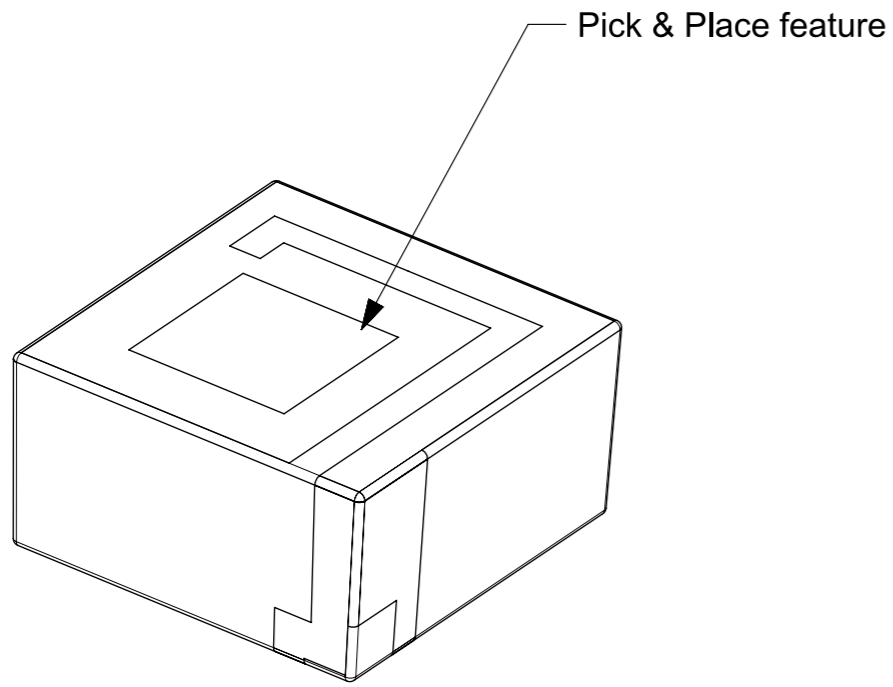
MOLEX					CUSTOMER			DRAWING LOCATION	CHANGE DESCRIPTION	AFFECTED DEPT
DRAWING NO.	REV	ECN NO.	DATA	P/N	P/N	3D REV	2D REV			
SD-146216-001	A	ABU2016-0058	2016/01/18	1462160001				NEW RELEASE		
SD-146216-001	B	111421	2017/01/12	1462160001				UPDATE PAGE 2 AND PAGE 3, CHANGE RECOMMENDED PCB PATTERN LAYOUT		



NOTE:
 1. MATERIAL :LCP-LDS, VECTRA E840ILDS, 40% MINERAL FILLED LASER DIRECT STRUCTURING GRADE,UL94V-0;
 2.GENERAL TOLERANCE :+/-0.05MM
 3.PRODUCT COMPLANT TO ROHS DIERTIVE 2002/95/EC AND ELV DIRECTIVE2000/53/EC

THIS DRAWING CONTAINS INFORMATION THAT IS PROPRIETARY TO MOLEX INCORPORATED AND SHOULD NOT BE USED WITHOUT WRITTEN PERMISSION											
QUALITY SYMBOLS	EC NO. EC NO. 2017/01/12	DRWN: EC DRAWN 2017/01/12	CHK'D: EC CHKD 2017/01/12	APPR: EC APPR 2017/01/12	GENERAL TOLERANCES (UNLESS SPECIFIED)		DIMENSION UNITS	SCALE			
					ANGULAR TOL ± 0.5 °		mm	10:1			
▽ = 0	EC DESCRIPTION	B	REV	REV	4 PLACES	± 0.00000	DRWN BY	DATE	HOUSING FOR RHCP GPS		
▽ = 0					3 PLACES	± 0.00000	Zlrao	2017/01/12			
▽ = 0					2 PLACES	± 0.0000	CHK'D BY	DATE	PRODUCT DESIGN DRAWING		
▼ = 0					1 PLACE	± 0.000	Jack Shi	2017/01/12			
▽ = 0					0 PLACES	± 0.00	APPR BY	DATE	SERIES MATERIAL NUMBER CUSTOMER		
□ = 0					DRAFT WHERE APPLICABLE MUST REMAIN WITHIN DIMENSIONS		Chris Yu	2017/01/12			
■ = 0			DRAWING SIZE	THIRD ANGLE PROJECTION	DOCUMENT NUMBER DOC TYPE DOC PART SHEET NUMBER						
▽ = 0			A3					SD-146216-001	XXX	XXX	1 OF 3

RELEASE STATUS	RELEASE DATE
----------------	--------------



Notes:

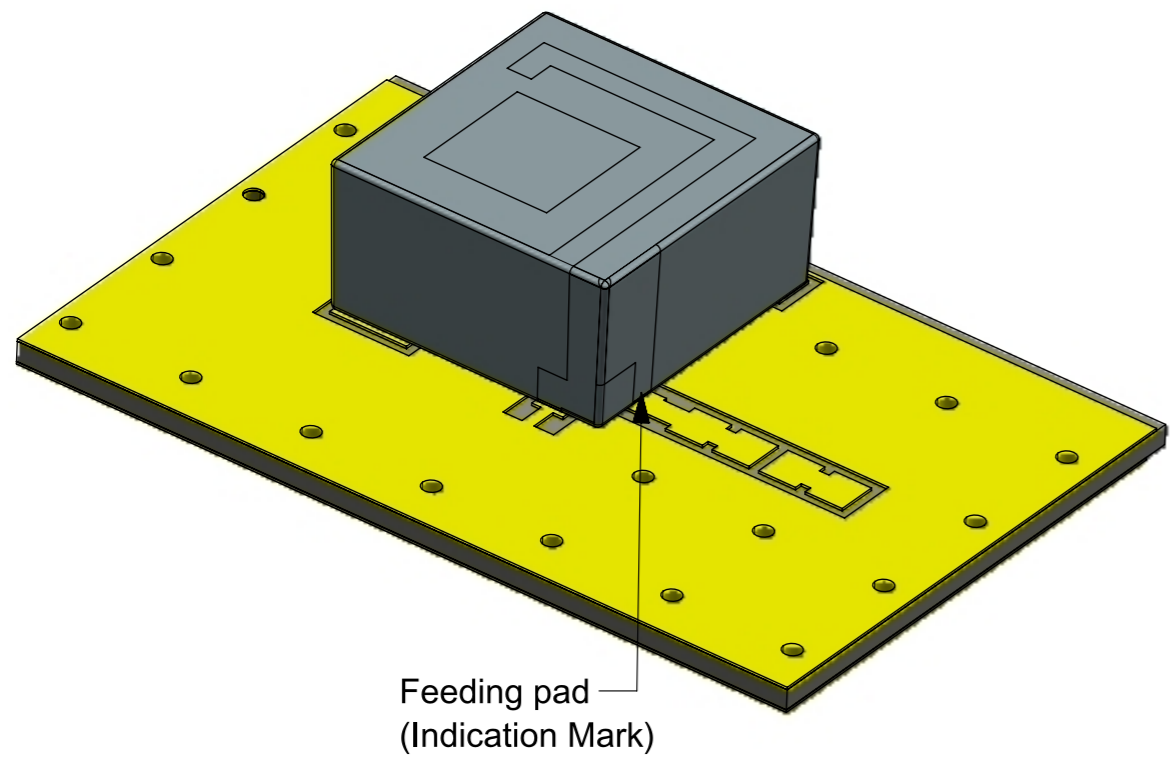
1. PLATING SPEC:

- Cu: 12 um MINIMUM;
- Ni: 2um MINIMUM;
- Au : 0.1uM MINIMUM

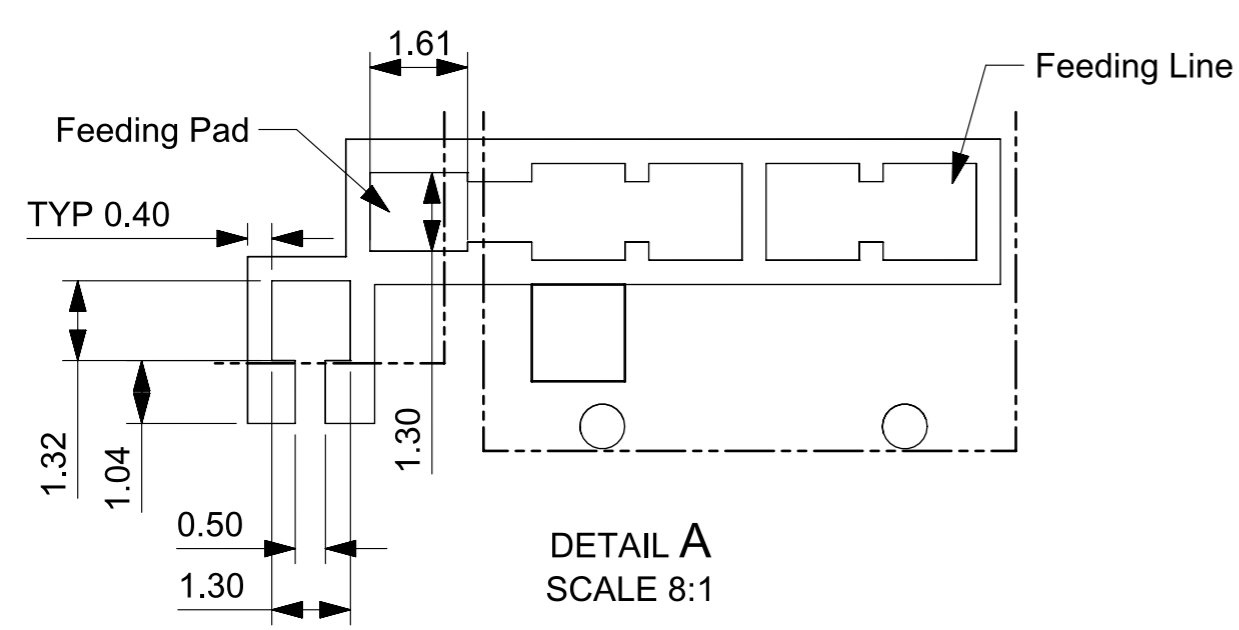
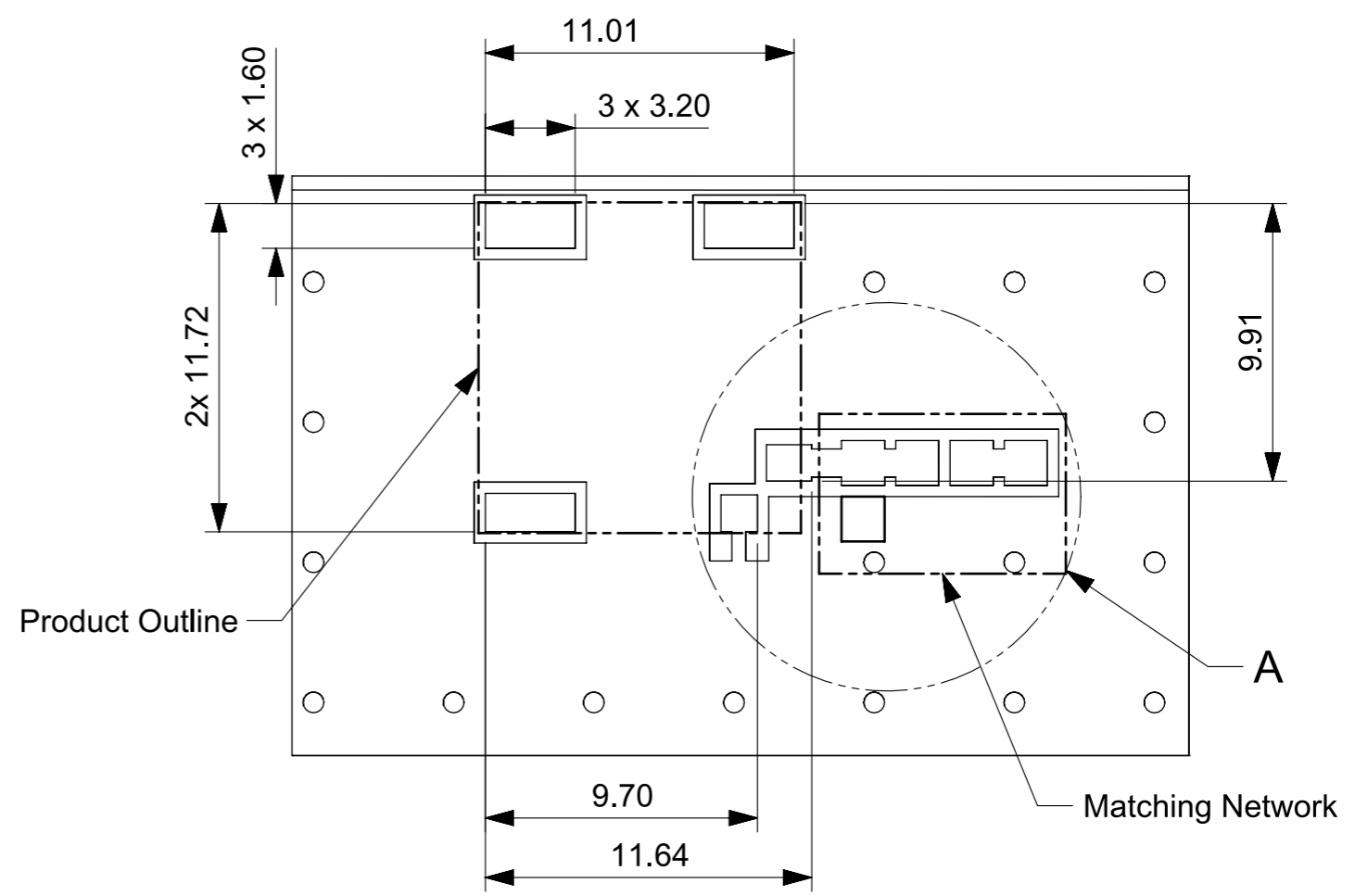
2. OVER FLOWING OF PATTERN PROFILE AFTER PLATING:0.03uM MAXIMUM.

THIS DRAWING CONTAINS INFORMATION THAT IS PROPRIETARY TO MOLEX INCORPORATED AND SHOULD NOT BE USED WITHOUT WRITTEN PERMISSION									
QUALITY SYMBOLS ▽ = 0 ▽ = 0 ▽ = 0 ▼ = 0 ▽ = 0 ☒ = 0 ■ = 0 ▽ = 0	EC DESCRIPTION EC NO: 2017/01/12 DRWN: 2017/01/12 CHK'D: 2017/01/12 APPR: 2017/01/12	GENERAL TOLERANCES (UNLESS SPECIFIED)		DIMENSION UNITS	SCALE				
		ANGULAR TOL ± 0.5 °		mm	10:1				
		4 PLACES ± 0.00000		DRWN BY	DATE	PATTERN FOR RHCP GPS			
		3 PLACES ± 0.0000		Zlrao	2017/01/12				
		2 PLACES ± 0.000		CHK'D BY	DATE	PRODUCT DESIGN DRAWING			
		1 PLACE ± 0.00		Jack Shi	2017/01/12				
		0 PLACES ± 0.00		APPR BY	DATE	SERIES: 146216 MATERIAL NUMBER: 1462160001 CUSTOMER: GENERAL MARKET			
		DRAFT WHERE APPLICABLE MUST REMAIN WITHIN DIMENSIONS		Chris Yu	2017/01/12				
				DRAWING SIZE	THIRD ANGLE PROJECTION	DOCUMENT NUMBER: SD-146216-001 DOC TYPE: XXX DOC PART: XXX SHEET NUMBER: 2 OF 3			
				A3					

RELEASE STATUS	RELEASE DATE
----------------	--------------



RECOMMENDED PCB PATTERN LAYOUT



THIS DRAWING CONTAINS INFORMATION THAT IS PROPRIETARY TO MOLEX INCORPORATED AND SHOULD NOT BE USED WITHOUT WRITTEN PERMISSION											
QUALITY SYMBOLS	EC NO. EC NO. 2017/01/12	DRWN: EC DRAWN 2017/01/12	CHK'D: EC CHKD 2017/01/12	REV APPR: EC APPR 2017/01/12	GENERAL TOLERANCES (UNLESS SPECIFIED)		DIMENSION UNITS	SCALE			
					ANGULAR TOL ± 0.5 °		mm	1:1			
▽ = 0	EC DESCRIPTION EC NO. EC NO. 2017/01/12 DRWN: EC DRAWN 2017/01/12 CHK'D: EC CHKD 2017/01/12 REV APPR: EC APPR 2017/01/12	4 PLACES ± 0.00000 3 PLACES ± 0.0000 2 PLACES ± 0.000 1 PLACE ± 0.00 0 PLACES ± 0.00	DRWN BY		DATE				FOOTPRINT FOR RHCP GPS		
Zlrao			2017/01/12								
▽ = 0			CHK'D BY		DATE		PRODUCT DESIGN DRAWING		SERIES	MATERIAL NUMBER	CUSTOMER
▽ = 0			Jack Shi		2017/01/12						
▽ = 0			APPR BY		DATE		DRAWING SIZE	THIRD ANGLE PROJECTION	146216	1462160001	GENERAL MARKET
▽ = 0	Chris Yu		2017/01/12		A3						
▽ = 0	DRAFT WHERE APPLICABLE MUST REMAIN WITHIN DIMENSIONS						DOCUMENT NUMBER		DOC TYPE	DOC PART	SHEET NUMBER
▽ = 0							SD-146216-001		XXX	XXX	3 OF 3

RELEASE STATUS	RELEASE DATE
----------------	--------------