

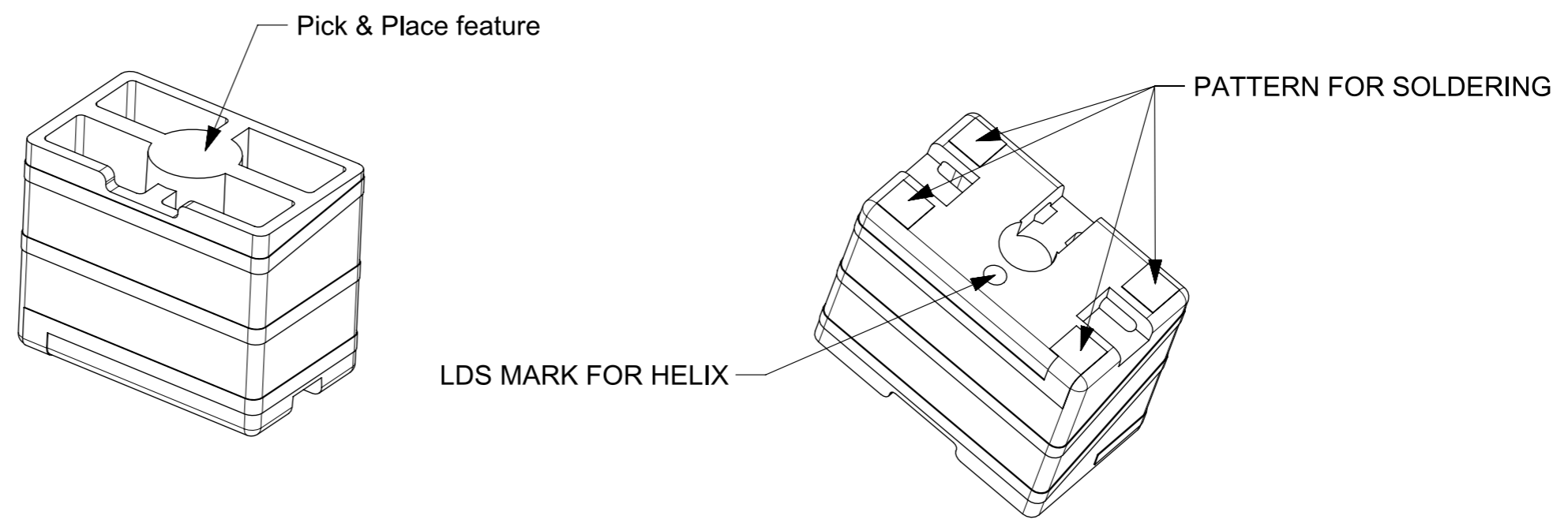
E

D

C

B

A

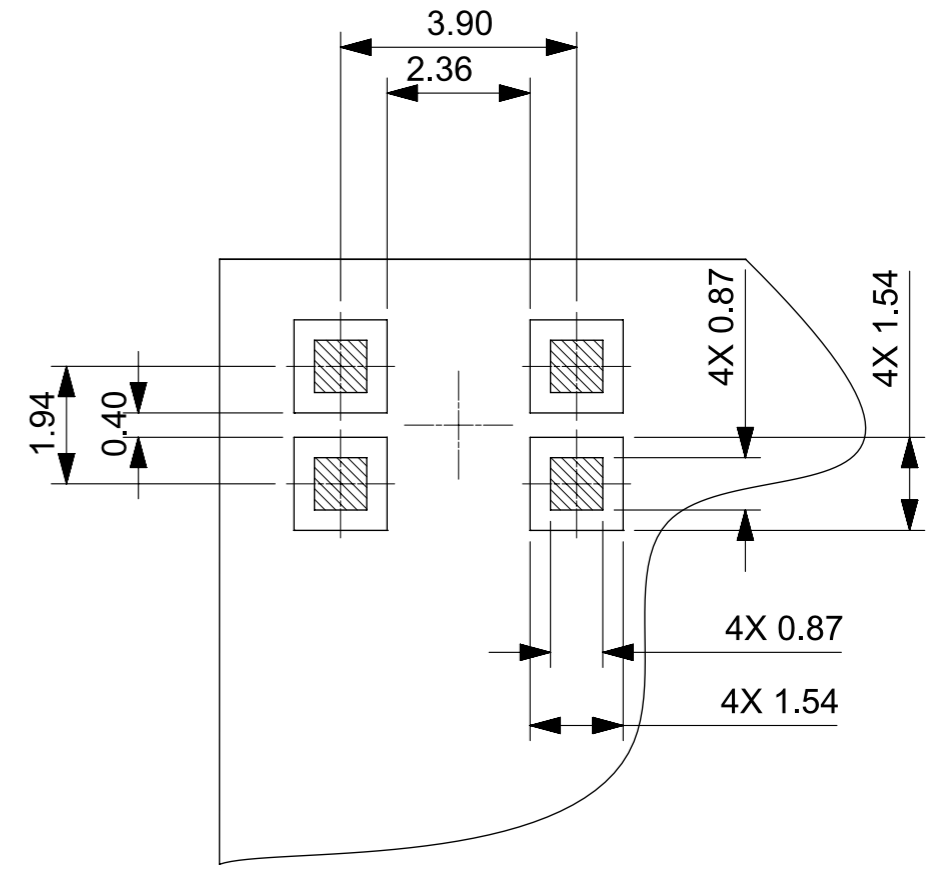
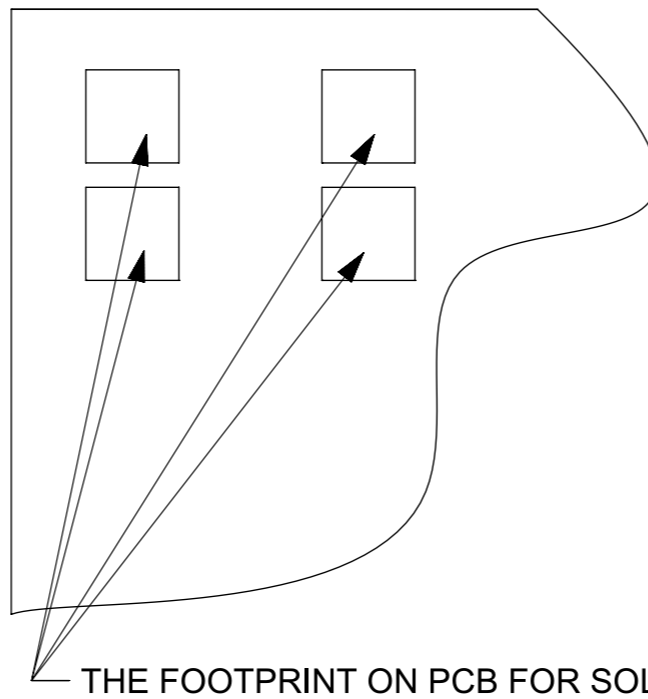
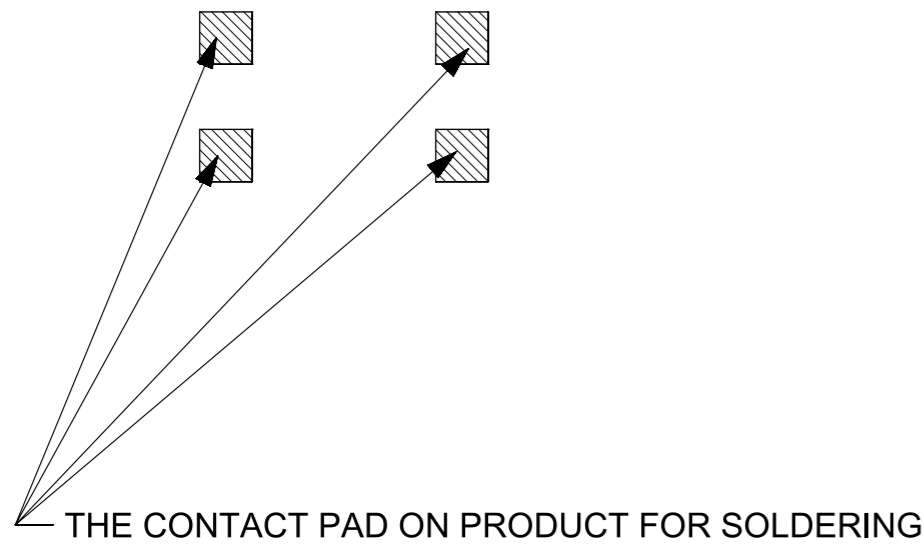
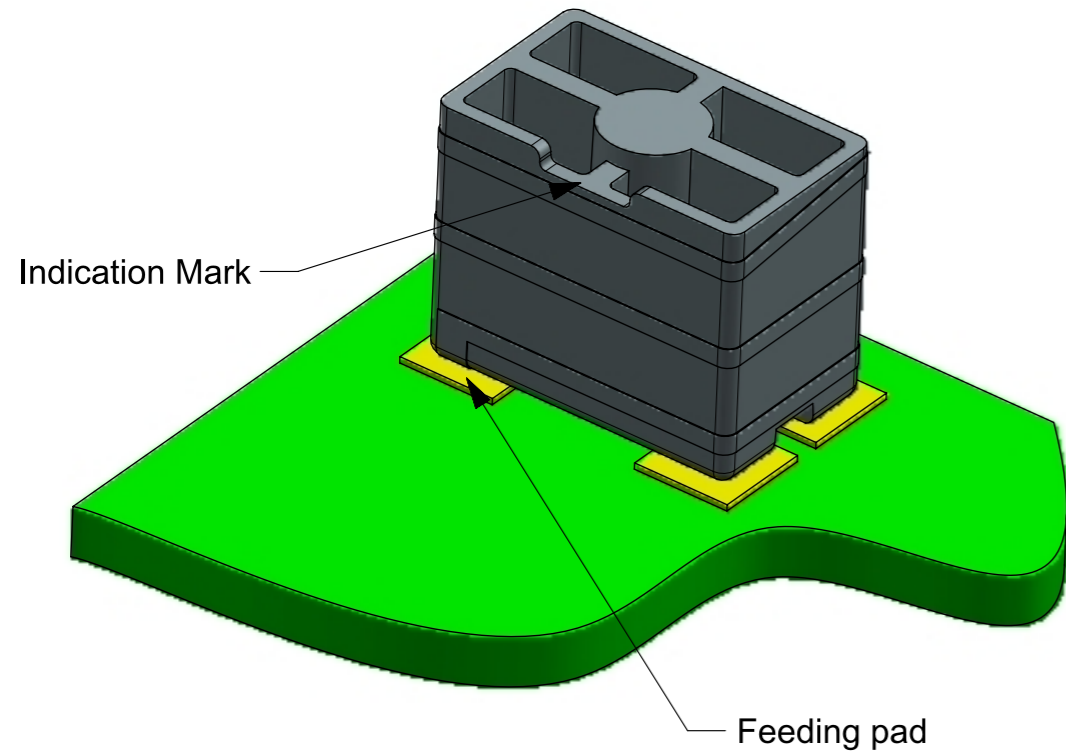


Notes:

- 1. PLATING SPEC:
 Cu: 10-14 UM;
 Ni: 1-2.5 UM;
 Au: 0.05 UM MINIMUM
- 2. OVER FLOWING OF PATTERN PROFILE AFTER PLATING:0.03UM MAXIMUM.

THIS DRAWING CONTAINS INFORMATION THAT IS PROPRIETARY TO MOLEX INCORPORATED AND SHOULD NOT BE USED WITHOUT WRITTEN PERMISSION												
QUALITY SYMBOLS ▽ = 0 ▽ = 0 ▽ = 0 ▼ = 0 ▽ = 0 ☒ = 0 ■ = 0 ▽ = 0	EC DESCRIPTION			GENERAL TOLERANCES (UNLESS SPECIFIED)		DIMENSION UNITS		SCALE		molex		
	EC NO: 104141 DRWN: TZHOU07 CHK'D: Jack Shi APPR: Chris Yu			2016/04/11 2016/04/11 2016/04/11		mm		10:1				
	DRAFT WHERE APPLICABLE MUST REMAIN WITHIN DIMENSIONS			ANGULAR TOL ± 0.5 °		DRWN BY		DATE		PRODUCT CUSTOMER DRAWING		
				4 PLACES ± 0.0000		TZHOU07		2016/04/11				
				3 PLACES ± 0.0000		CHK'D BY		DATE		DOCUMENT NUMBER: SD-146235-001 DOC TYPE: PSD DOC PART: 000 SHEET NUMBER: 2 OF 3		
				2 PLACES ± 0.000		Jack Shi		2016/04/11				
				1 PLACE ± 0.00		APPR BY		DATE				
				0 PLACES ± 0.00		Chris Yu		2016/04/11				
				DRAFT WHERE APPLICABLE MUST REMAIN WITHIN DIMENSIONS		DRAWING SIZE		THIRD ANGLE PROJECTION				
						A3						

RELEASE STATUS	RELEASE DATE
----------------	--------------



RECOMMENDED PCB PATTERN LAYOUT

THIS DRAWING CONTAINS INFORMATION THAT IS PROPRIETARY TO MOLEX INCORPORATED AND SHOULD NOT BE USED WITHOUT WRITTEN PERMISSION												
QUALITY SYMBOLS ▽ = 0 ▽ = 0 ▽ = 0 ▼ = 0 ▽ = 0 ☒ = 0 ■ = 0 ▽ = 0	EC DESCRIPTION EC NO: 104141 DRWN: TZHOU07 CHK'D: Jack Shi APPR: Chris Yu	GENERAL TOLERANCES (UNLESS SPECIFIED) ANGULAR TOL ± 0.5 °		DIMENSION UNITS mm	SCALE 1:1							
		4 PLACES ± 0.00000 3 PLACES ± 0.0000 2 PLACES ± 0.000 1 PLACE ± 0.00 0 PLACES ± 0.00	DRWN BY TZHOU07	DATE 2016/04/11	FOOTPRINT FOR HELIX SMT ON GROND ANTENNA							
		DRAFT WHERE APPLICABLE MUST REMAIN WITHIN DIMENSIONS	CHK'D BY Jack Shi	DATE 2016/04/11							PRODUCT CUSTOMER DRAWING	
		A1	APPR BY Chris Yu	DATE 2016/04/11	SERIES 146235	MATERIAL NUMBER 1462350001	CUSTOMER GENERAL MARKET					
					DRAWING SIZE A3	THIRD ANGLE PROJECTION 		DOCUMENT NUMBER SD-146235-001	DOC TYPE PSD	DOC PART 000	SHEET NUMBER 3 OF 3	

RELEASE STATUS	RELEASE DATE
----------------	--------------