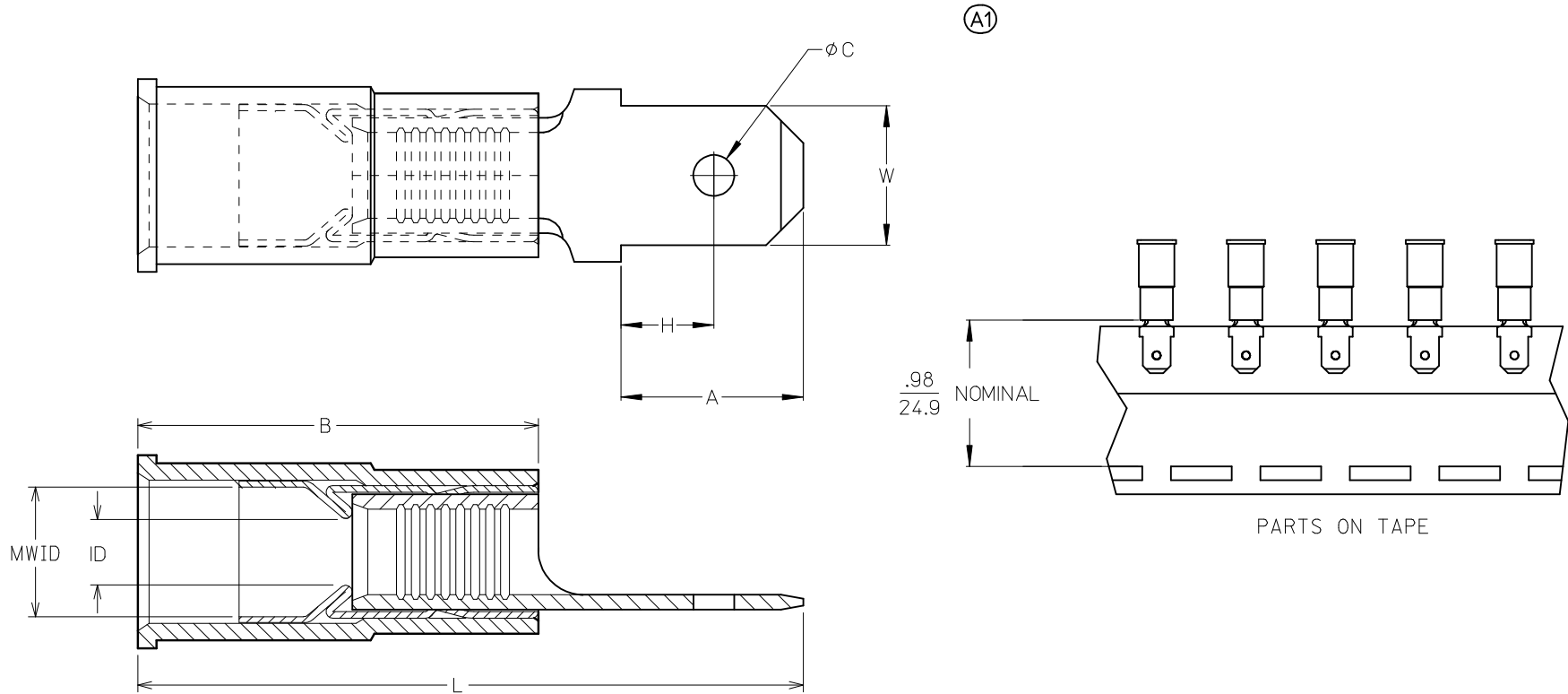


10	9	8	7	6	5	4	3	2	19025							
LOOSE PC MATERIAL NO.	LOOSE PC ENG. NO.	ON TAPE MAT'L NO.	ON TAPE ENG. NO.	WIRE RANGE	TAB SIZE REFERENCE	COLOR	ID MIN	B REF	MWID	L MAX	W ±.005 0.13	A MIN	H MAX	C ± .007 0.18	TERMINAL MAT'L THICKNESS - REF	TERMINAL FINISH
190250001	AMCT-5	190250004	AMCT-5T	22-18AWG (0.38-.96mm <sup>2</sup> )	.250x.032 (6.35x0.81)	RED	.054/1.37	.546/13.87	.138/3.51	1.02/25.9	.250/6.35	.30/7.6	.14/3.6	.075/1.91	BRASS, .032/0.81	ZINC CHROMATE
190250007	MCT-5	190250010	MCT-5T	16-14AWG (1.23-1.94mm <sup>2</sup> )	.250x.032 (6.35x0.81)	BLUE	.081 /2.06	.546/13.87	.165/4.19	1.02/25.9	.250/6.35	.30/7.6	.14/3.6	.075/1.91	BRASS, .032/0.81	ZINC CHROMATE
190250005	CMCT-5	190250006	CMCT-5T	12-10AWG (3.09-5.01mm <sup>2</sup> )	.250x.032 (6.35x0.81)	YELLOW	.128 /3.25	.669/16.99	.225/5.71	1.18/30.0	.250/6.35	.30/7.6	.14/3.6	.075/1.91	BRASS, .032/0.81	ZINC CHROMATE
190250002	AMCT-57	190250003	AMCT-57T	22-18AWG (0.38-.96mm <sup>2</sup> )	.187x.020 (4.75x0.51)	RED	.054/1.37	.546/13.87	.138/3.51	.92/23.4	.187/4.75	.24/6.1	.13/3.3	.055/1.40	BRASS, .020/0.51	ZINC CHROMATE
190250008	MCT-57	190250009	MCT-57T	16-14AWG (1.23-1.94mm <sup>2</sup> )	.187x.020 (4.75x0.51)	BLUE	.081 /2.06	.546/13.87	.165/4.19	.92/23.4	.187/4.75	.24/6.1	.13/3.3	.055/1.40	BRASS, .020/0.51	ZINC CHROMATE



NOTES:

1. TERMINAL MATERIAL & FINISH: SEE CHART
2. INSULATION MATERIAL: NYLON
3. FERRULE:  
MATERIAL: BRASS  
FINISH: TIN
4. TAB DIMENSIONS PER UL310 SPECIFICATIONS.
5. PART IS ROHS COMPLIANT.
6. MWID = MAXIMUM WIRE INSULATION DIAMETER

<b>CORRECT LENGTH</b> EC NO: PG2013-0420 DRW: HETHRODAHL 2012/09/21 CHKD: JMACNEIL 2012/09/21 APPR: JMACNEIL 2012/10/03	DESCRIPTION <b>A1</b>	QUALITY SYMBOLS	GENERAL TOLERANCES (UNLESS SPECIFIED)	DIMENSION STYLE	SCALE	DESIGN UNITS	THIRD ANGLE PROJECTION																																
		$\nabla=0$ $\nabla=0$	<table border="1"> <tr> <th></th> <th>mm</th> <th>INCH</th> </tr> <tr> <td>4 PLACES</td> <td>±---</td> <td>±---</td> </tr> <tr> <td>3 PLACES</td> <td>±---</td> <td>±---</td> </tr> <tr> <td>2 PLACES</td> <td>±---</td> <td>±---</td> </tr> <tr> <td>1 PLACE</td> <td>±---</td> <td>±---</td> </tr> <tr> <td colspan="3">ANGULAR ±---</td> </tr> </table>		mm	INCH	4 PLACES	±---	±---	3 PLACES	±---	±---	2 PLACES	±---	±---	1 PLACE	±---	±---	ANGULAR ±---			<table border="1"> <tr> <th>IN/MM</th> <th>DATE</th> </tr> <tr> <td>DRAWN BY</td> <td>RCM</td> </tr> <tr> <td>DATE</td> <td>1994/07/06</td> </tr> <tr> <td>CHECKED BY</td> <td>JM</td> </tr> <tr> <td>DATE</td> <td>1994/07/06</td> </tr> <tr> <td>APPROVED BY</td> <td>FP</td> </tr> <tr> <td>DATE</td> <td>1994/07/06</td> </tr> </table>	IN/MM	DATE	DRAWN BY	RCM	DATE	1994/07/06	CHECKED BY	JM	DATE	1994/07/06	APPROVED BY	FP	DATE	1994/07/06	---	INCH	
			mm	INCH																																			
		4 PLACES	±---	±---																																			
3 PLACES	±---	±---																																					
2 PLACES	±---	±---																																					
1 PLACE	±---	±---																																					
ANGULAR ±---																																							
IN/MM	DATE																																						
DRAWN BY	RCM																																						
DATE	1994/07/06																																						
CHECKED BY	JM																																						
DATE	1994/07/06																																						
APPROVED BY	FP																																						
DATE	1994/07/06																																						
DRAFT WHERE APPLICABLE MUST REMAIN WITHIN DIMENSIONS				MATERIAL NO. SEE CHART SIZE B	DOCUMENT NO. SD-19025-002	MOLEX INCORPORATED	SHEET NO. 1 OF 1																																