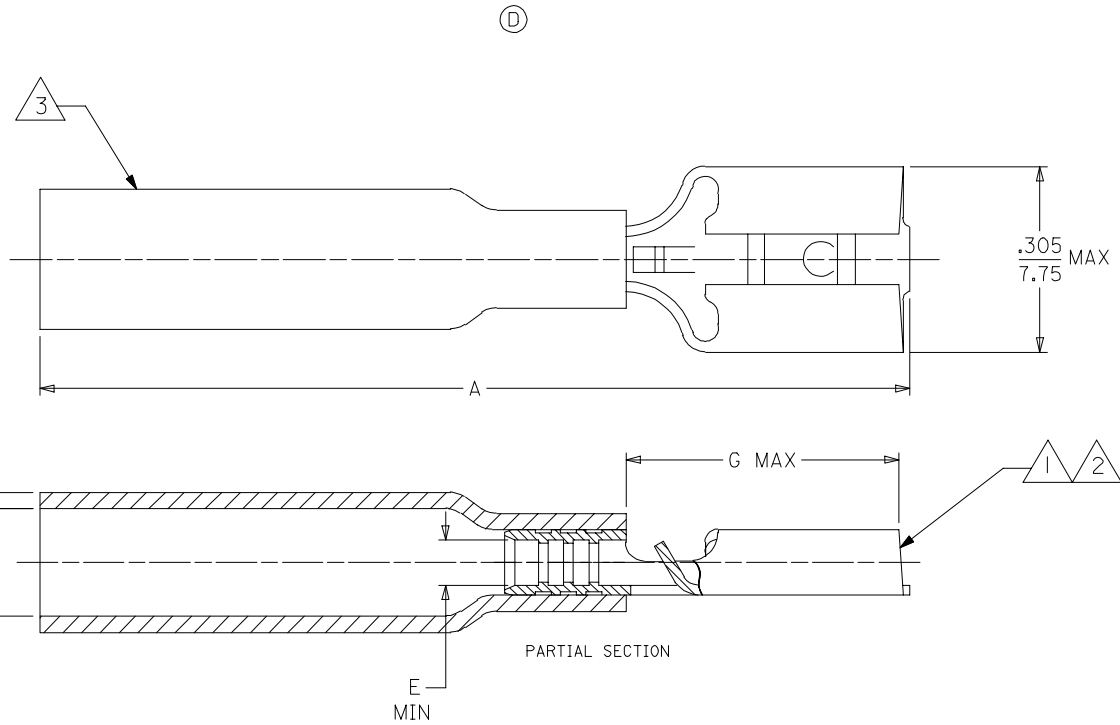


MATERIAL NUMBER	ENGINEERING MATERIAL	WIRE SIZE AWG	FITS MALE TABE	PERMA-SEAL COLOR	STOCK THICKNESS	A	D ±.010/0.25	E MIN	F MIN	G MAX
191640012	SAA-2140	22-18	.250 X .032	RED	.016/0.40	1.38/35.1	.235/5.97	.060/1.52	.025/0.64	.39/9.9
191640047	SBB-2141	16-14	.250 X .032	BLUE	.016/0.40	1.35/34.3	.235/5.97	.082/2.08	.029/0.74	.39/9.9
191640059	SC-2143	12-10	.250 X .032	YELLOW	.018/0.46	1.36/34.5	.310/7.62	.148/3.76	.029/0.74	.45/11.4



NOTES:

- 1. TERMINAL MATERIAL: BRASS
SEE TABLE FOR THICKNESS.
- 2. FINISH: ELECTRO TIN PLATE.
- 3. INSULATION MATERIAL: HEAT SHRINKABLE TUBING WITH HOTMELT ADHESIVE INNER LINER. COLOR: SEE CHART.
- 4. MWID = MAXIMUM WIRE INSULATION DIAMETER.

CHANGED DIM "D" EC NO: ETC2006-0154 DRWN:NASAYDEH 2005/12/21 CHKD: ILOMASTRO 2005/12/21 APPR: JPAMLIK 2005/12/21	QUALITY SYMBOLS ▽=0 ▽=0	GENERAL TOLERANCES (UNLESS SPECIFIED)		DIMENSION STYLE IN/MM	SCALE ---	DESIGN UNITS INCH	THIRD ANGLE PROJECTION		
		4 PLACES ± --- ± ---	3 PLACES ± --- ± .005	2 PLACES ± 0.13 ± .01	1 PLACE ± 0.25 ± ---	DRAWN BY BRE	DATE 06/11/06	TITLE FEMALE QD PERMA-SEAL	
		ANGULAR ±1/2°				CHECKED BY HEB	DATE 06/11/06	APPROVED BY RWD	
		DRAFT WHERE APPLICABLE MUST REMAIN WITHIN DIMENSIONS				MATERIAL NO. SEE CHART	DATE 06/11/06	DOCUMENT NO. SD-19164-040	
				SIZE B	THIS DRAWING CONTAINS INFORMATION THAT IS PROPRIETARY TO MOLEX INCORPORATED AND SHOULD NOT BE USED WITHOUT WRITTEN PERMISSION				