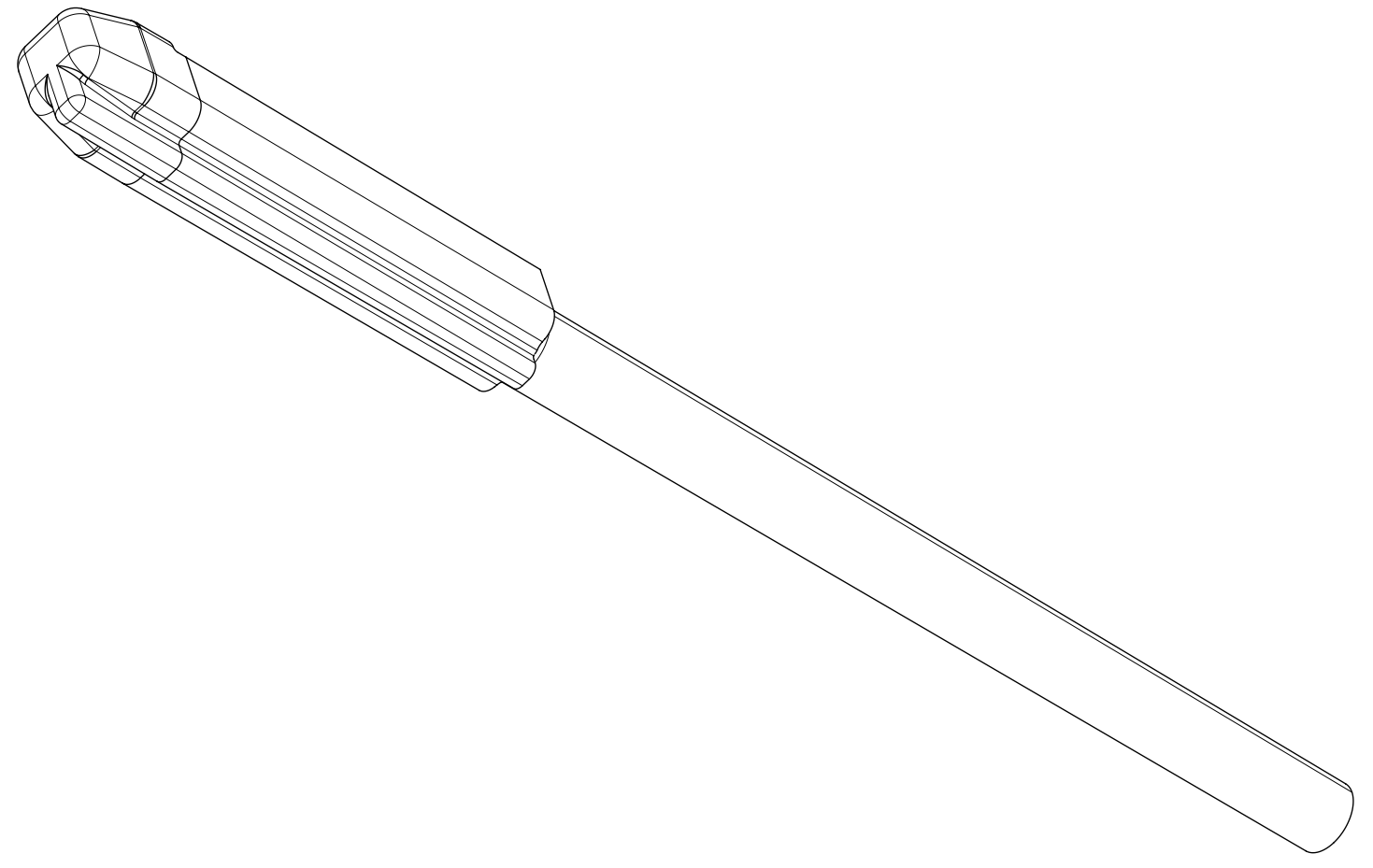
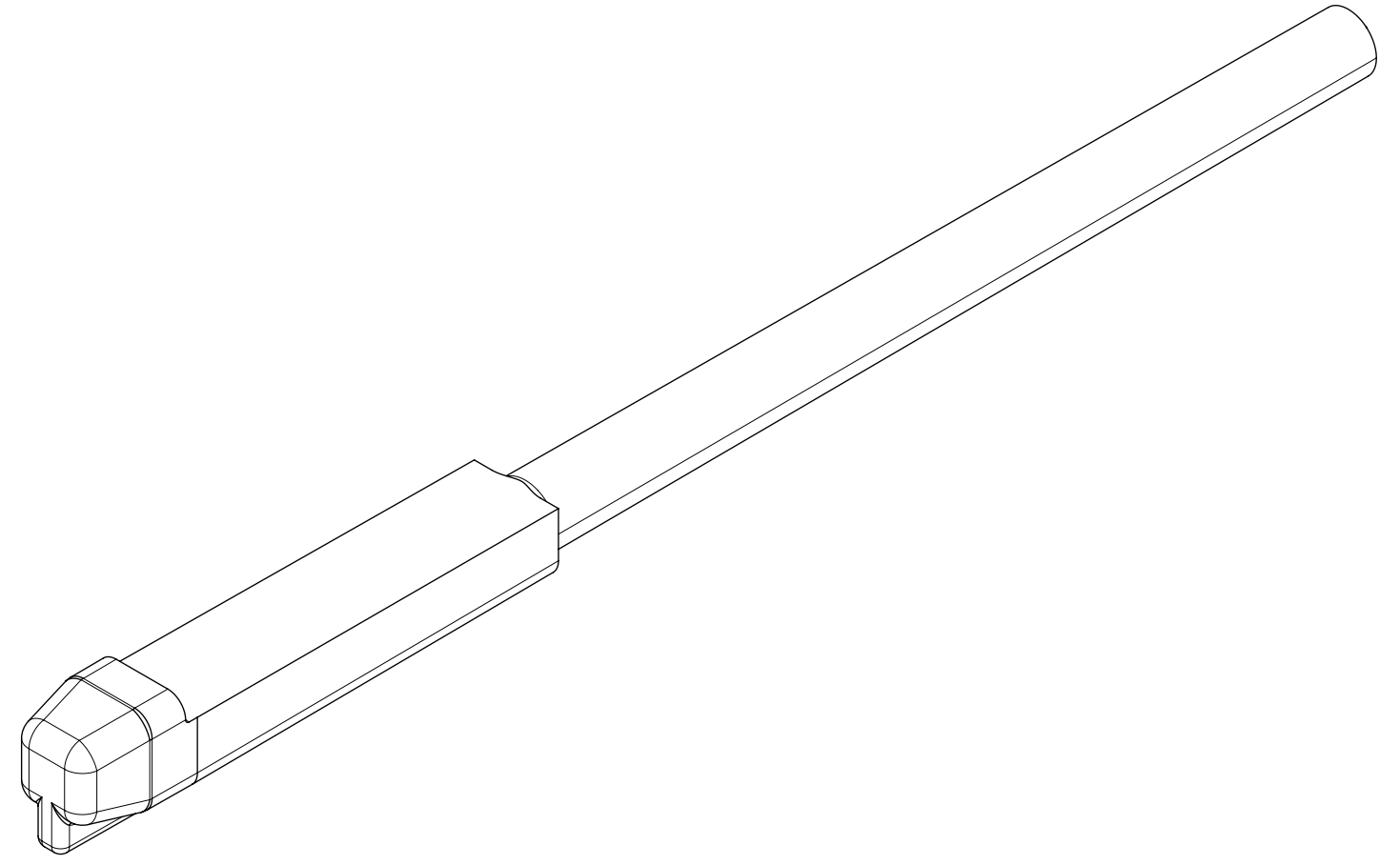


TABLE OF CONTENTS	
SHEET NO.	SHEET DESCRIPTION
1	NOTES AND BOM
2	CONFIGURATIONS
3	SEAL PLUG DETAIL


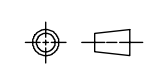
BILL OF MATERIALS (BOM)			
DESCRIPTION	PART NUMBER	COLOR	STATUS
MX150, NATURAL	34345-0001	NATURAL	SALEABLE
MX150, BLACK	34345-0002	BLACK	SALEABLE

NOTES: VALID UNLESS OTHERWISE SPECIFIED

1. GENERAL:
  - a. APPLICATION SPECIFICATION SEE: AS-33472-100
    - COMPONENTS ARE OPTIONAL AND MUST BE PURCHASED SEPERATELY
    - FOR ASSEMBLY INSTRUCTIONS SEE THE APPLICATION SPECIFICATION
    - SEAL PLUGS ARE NOT TO BE USED TO REPLACE SHORTING BAR TERMINALS.
  - b. PRODUCT SPECIFICATION SEE: N/A
  - c. PACKAGING SPECIFICATION PER MOLEX DRAWING: PK-31300-438
  - d. PARTS MUST BE IN COMPLIANCE TO MOLEX CHEMICAL SUBSTANCES FOR PRODUCTS AND PACKAGING SPECIFICATION: QEHS-699000-300
  - e. DATA MUST BE SUBMITTED UNDER THE MOLEX PART NUMBER TO IMDS (COMPANY ID#13255)
2. DESIGN - MATERIALS:
  - a. MATERIAL: PBT
3. DESIGN - GEOMETRY:
  - a. ALL GRAPHIC DATA IS BASIC (NO TOLERANCE) AND MUST BE TAKEN FROM THE DATA FILE AT ITS LATEST REVISION.
  - b. GEOMETRIC DIMENSIONS AND TOLERANCES PER ASME Y14.5M - 2009
  - c. THE BASIC DIMENSIONS OF THE COMPONENT ARE DEFINED BY THE 3-D CAD DATA. THE CAD MATHEMATICAL DATA IS THE MASTER FOR ALL FEATURES AND IS TO BE USED TO ESTABLISH DIMENSIONAL INFORMATION NOT SHOWN ON THIS DRAWING.
  - d. GENERAL TOLERANCES: SEE TITLE BLOCK
  - e. EDGES AND UNDIMENSIONED DETAILS PER ISO13715
  - f. CORNERS SHOWN AS SHARP TO BE R 0.2 MAX.
  - g. LETTERING SHALL BE 0.15 MAX RAISED.

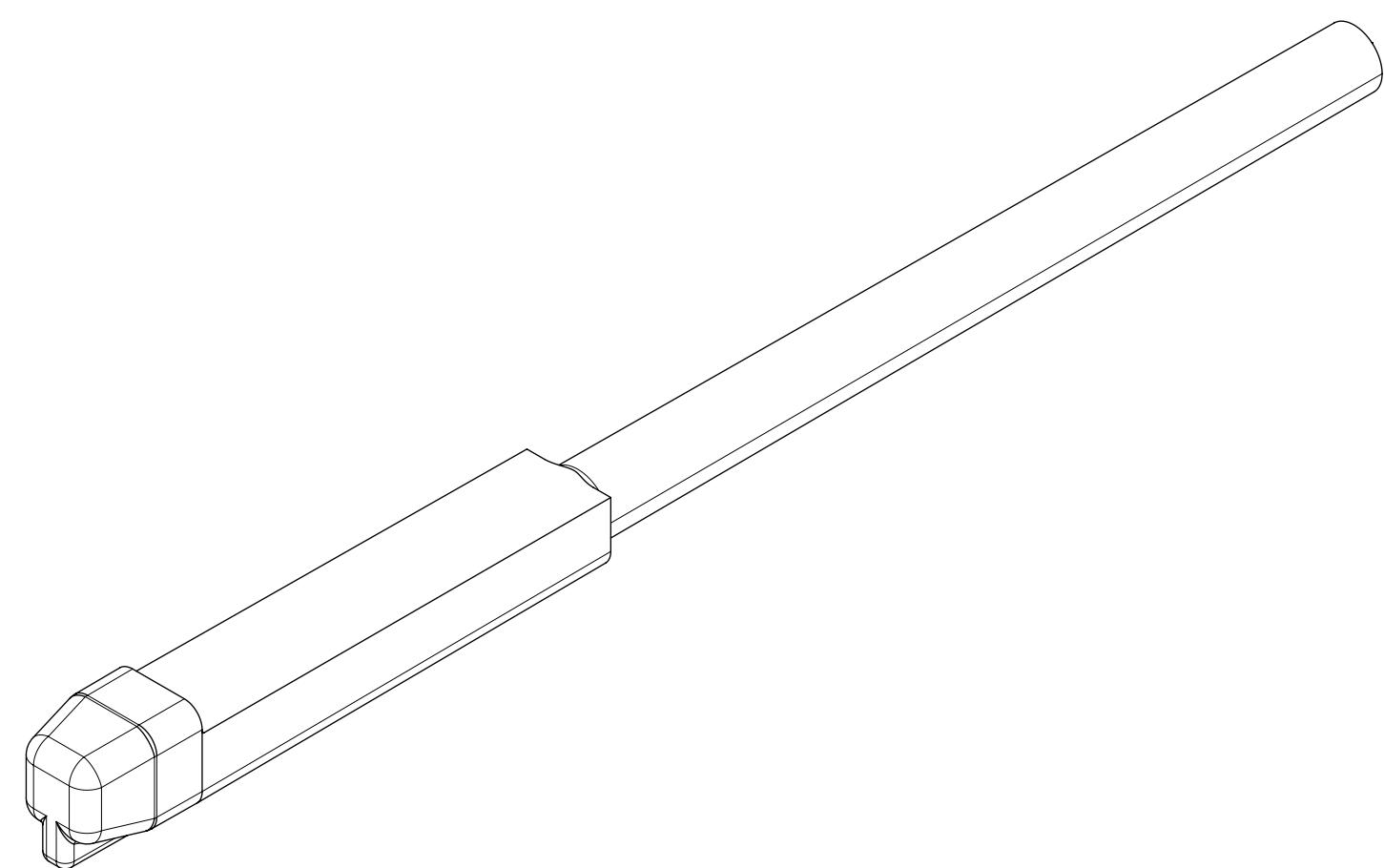


C6	NX RE-MASTERING
REV	DESCRIPTION

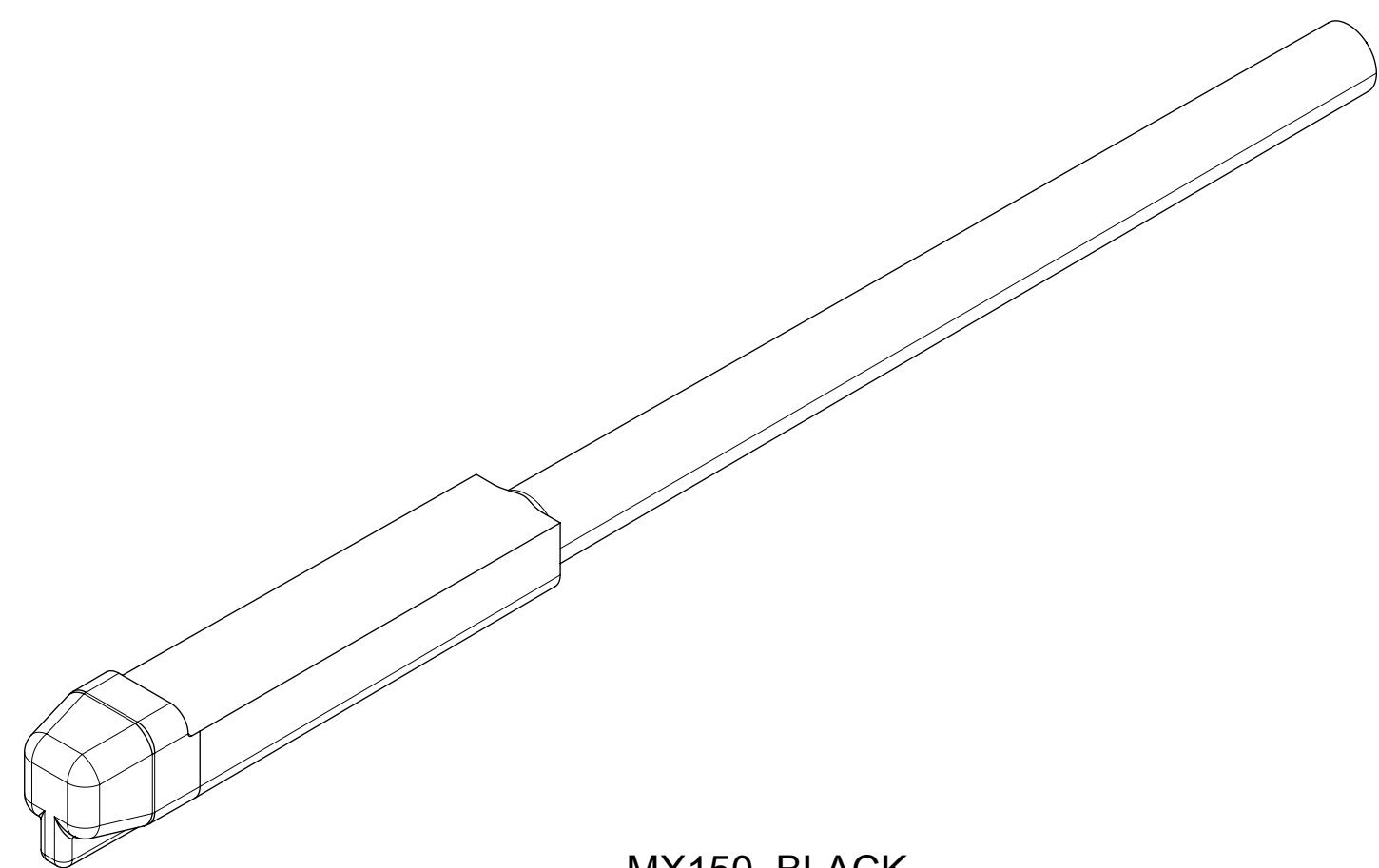
THIS DRAWING CONTAINS INFORMATION THAT IS PROPRIETARY TO MOLEX ELECTRONIC TECHNOLOGIES, LLC AND SHOULD NOT BE USED WITHOUT WRITTEN PERMISSION												
EC NO: 114342 DRWN: PKABBUR CHKD: REV APPR: KDEKOSKI	2017/02/23	GENERAL TOLERANCES (UNLESS SPECIFIED) ANGULAR TOL ± 3.0 ° 4 PLACES ± 3 PLACES ± 2 PLACES ± 0.1 1 PLACE ± 0.3 0 PLACES ± DRAFT WHERE APPLICABLE MUST REMAIN WITHIN DIMENSIONS	DIMENSION UNITS	SCALE								
	2017/03/16		MM ONLY	7:1								
			DRWN BY	DATE	MX150 CAVITY PLUG SEALED							
			MVANSLAM	10/27/05								
			CHKD BY	DATE	PRODUCT CUSTOMER DRAWING							
			ABUTCHER	10/27/05								
		APPR BY	DATE	SERIES		MATERIAL NUMBER		CUSTOMER				
		SMARCEAU	10/27/05	34345	SEE BOM		GENERAL MARKET					
C6		DRAWING SIZE	THIRD ANGLE PROJECTION	DOCUMENT NUMBER		DOC TYPE	DOC PART	SHEET NUMBER				
		D		SD-34345-001		PSD	000	1 OF 3				

SHEET DESCRIPTION

CONFIGURATIONS



MX150, NATURAL



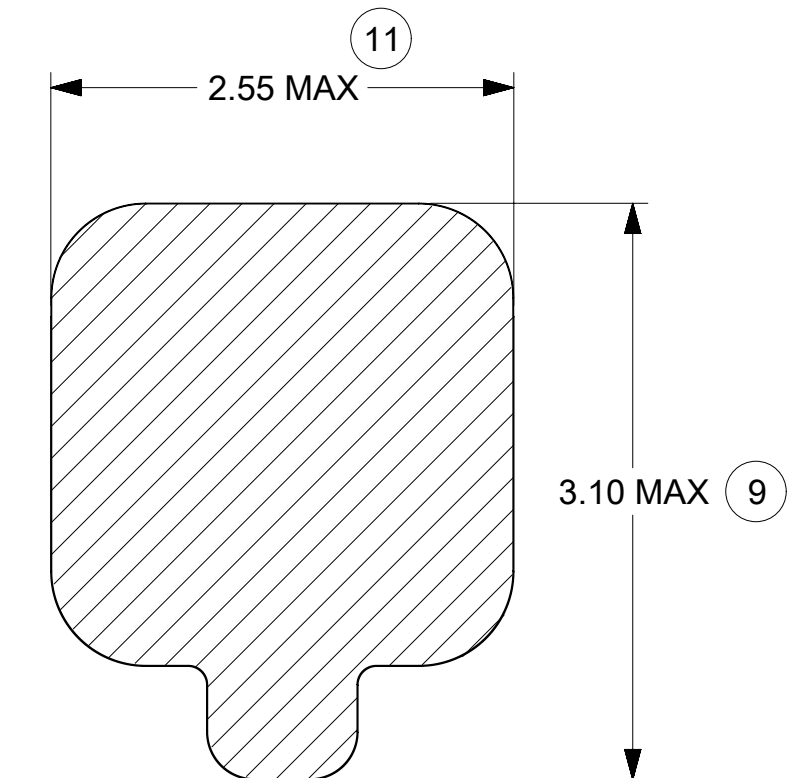
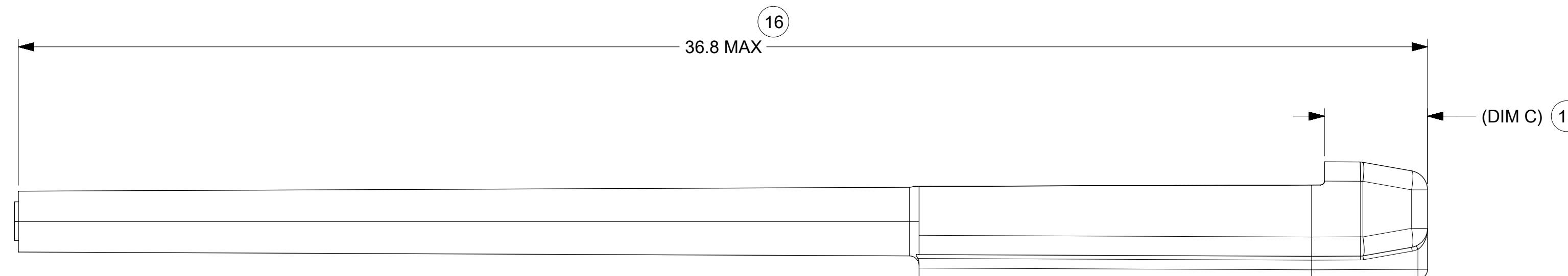
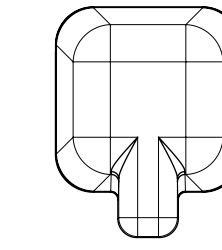
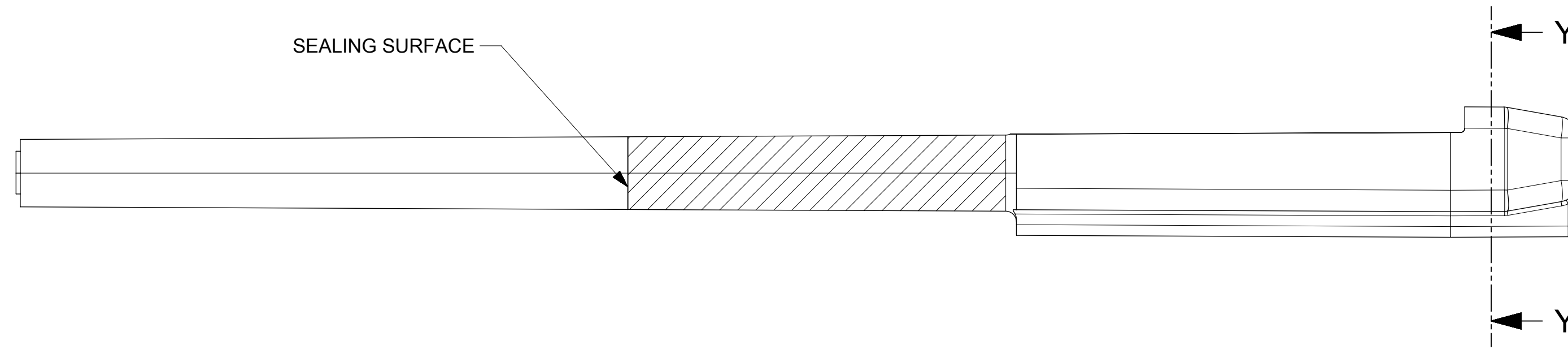
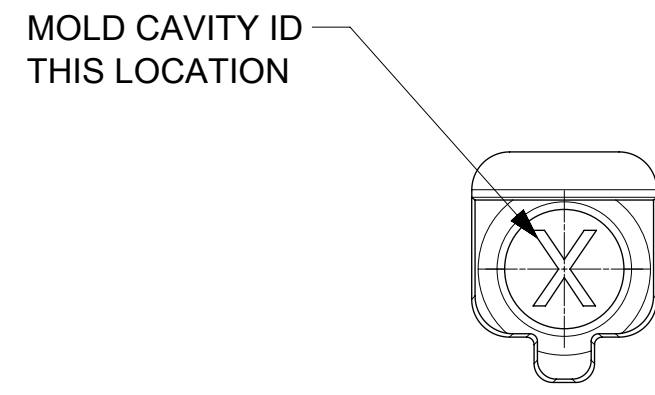
MX150, BLACK

THIS DRAWING CONTAINS INFORMATION THAT IS PROPRIETARY TO MOLEX ELECTRONIC TECHNOLOGIES, LLC AND SHOULD NOT BE USED WITHOUT WRITTEN PERMISSION

EC NO: 114342 DRWN: PKABBUR CHK'D: REV APPR: KDEIKOSKI	2017/02/23	GENERAL TOLERANCES (UNLESS SPECIFIED)  ANGULAR TOL ± 3.0 ° 4 PLACES ± 3 PLACES ± 2 PLACES ± 0.1 1 PLACE ± 0.3 0 PLACES ± DRAFT WHERE APPLICABLE MUST REMAIN WITHIN DIMENSIONS	DIMENSION UNITS	SCALE					
			MM ONLY	7:1					
				DRWN BY	DATE	MX150 CAVITY PLUG SEALED			
				MVANSLAM	10/27/05				
				CHK'D BY	DATE	PRODUCT CUSTOMER DRAWING			
				ABUTCHER	10/27/05				
				APPR BY	DATE	SERIES MATERIAL NUMBER CUSTOMER 34345 SEE BOM GENERAL MARKET			
				SMARCEAU	10/27/05				
				DRAWING SIZE	THIRD ANGLE PROJECTION	DOCUMENT NUMBER DOC TYPE DOC PART SHEET NUMBER SD-34345-001 PSD 000 2 OF 3			
				D					

RELEASE STATUS	RELEASE DATE
----------------	--------------

CHARTED DIMENSIONS	
DESCRIPTION	DIMENSIONS
	C
MX150, NATURAL	3.00
MX150, BLACK	2.67



SECTION Y-Y  
SCALE 25:1

THIS DRAWING CONTAINS INFORMATION THAT IS PROPRIETARY TO MOLEX ELECTRONIC TECHNOLOGIES, LLC AND SHOULD NOT BE USED WITHOUT WRITTEN PERMISSION

EC NO: 114342 DRWN: PKABBUR CHKD: REV APPR: KDEIKOSKI	2017/02/23	GENERAL TOLERANCES (UNLESS SPECIFIED) ANGULAR TOL ± 3.0 ° 4 PLACES ± 3 PLACES ± 2 PLACES ± 0.1 1 PLACE ± 0.3 0 PLACES ± DRAFT WHERE APPLICABLE MUST REMAIN WITHIN DIMENSIONS	DIMENSION UNITS	SCALE	<p>MX150 CAVITY PLUG SEALED</p> <p>PRODUCT CUSTOMER DRAWING</p>
	2017/03/16		MM ONLY	10:1	
			DRWN BY	DATE	
			MVANSLAM	10/27/05	
			CHKD BY	DATE	
			ABUTCHER	10/27/05	
	APPR BY	DATE	SERIES MATERIAL NUMBER CUSTOMER		
	SMARCEAU	10/27/05	34345	SEE BOM	GENERAL MARKET
	DRAWING SIZE	THIRD ANGLE PROJECTION	DOCUMENT NUMBER DOC TYPE DOC PART SHEET NUMBER		
	D		SD-34345-001	PSD	000 3 OF 3

RELEASE STATUS	RELEASE DATE
19	18