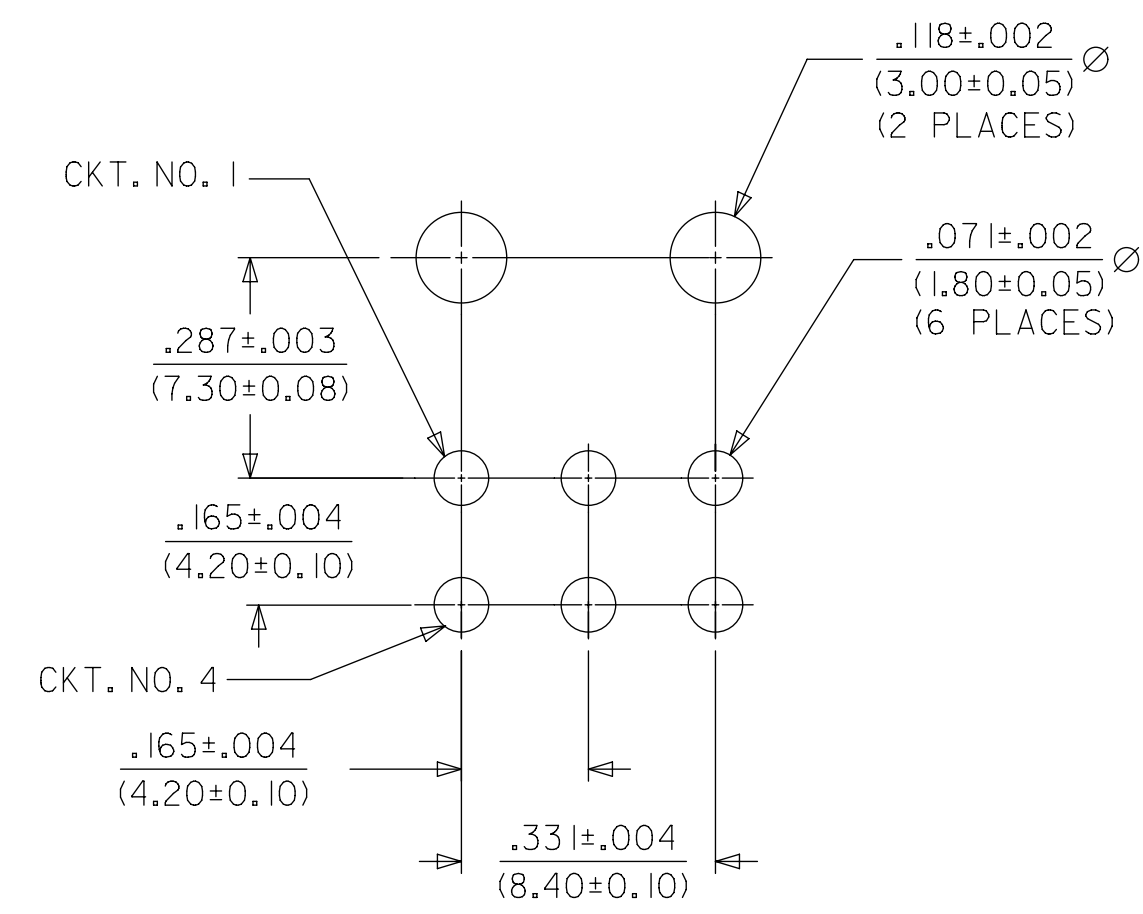
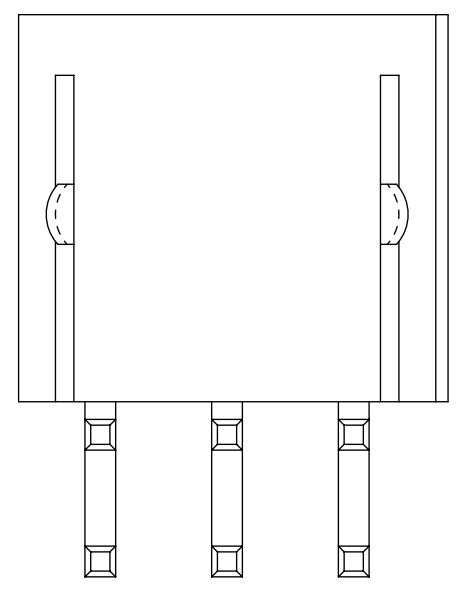
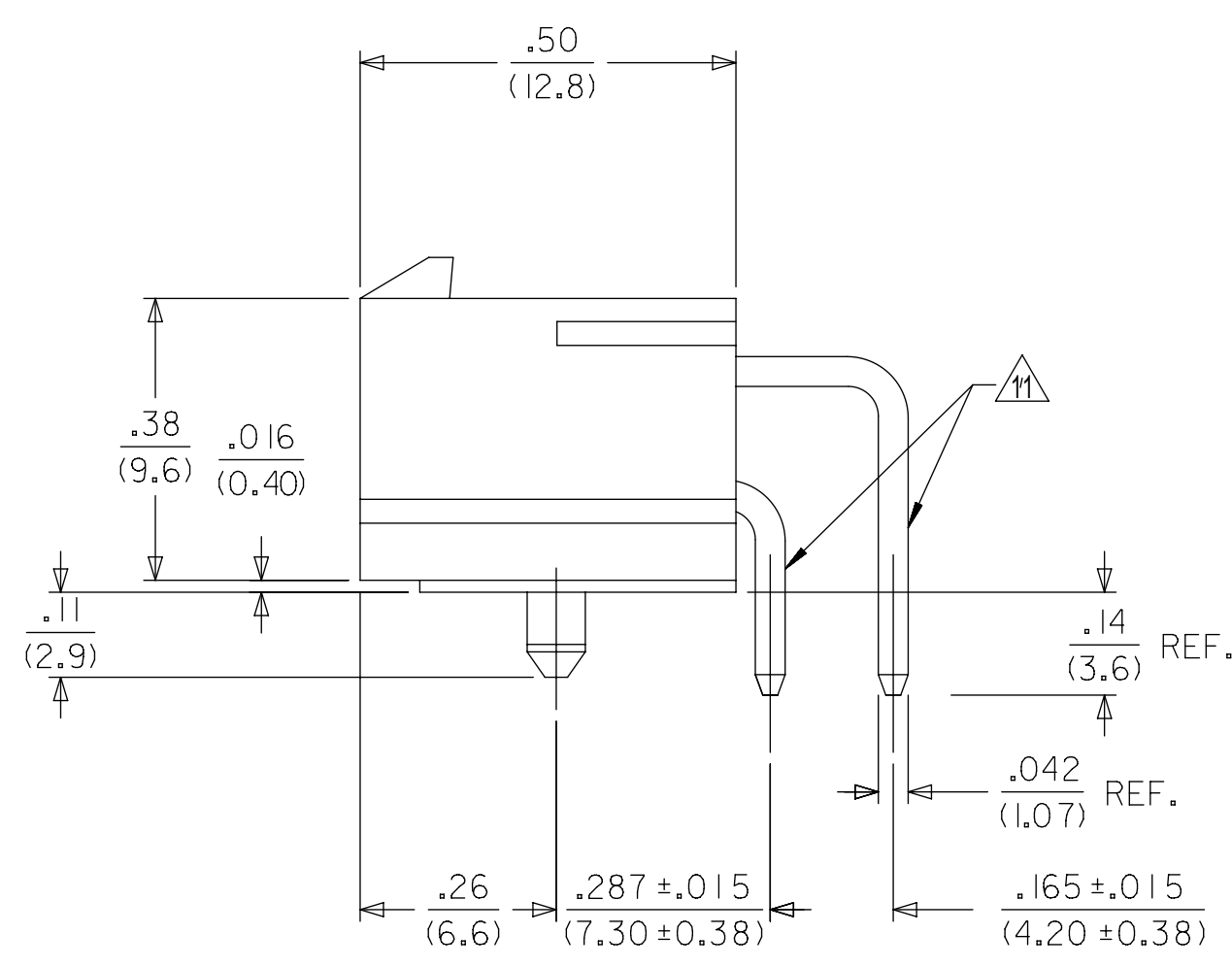
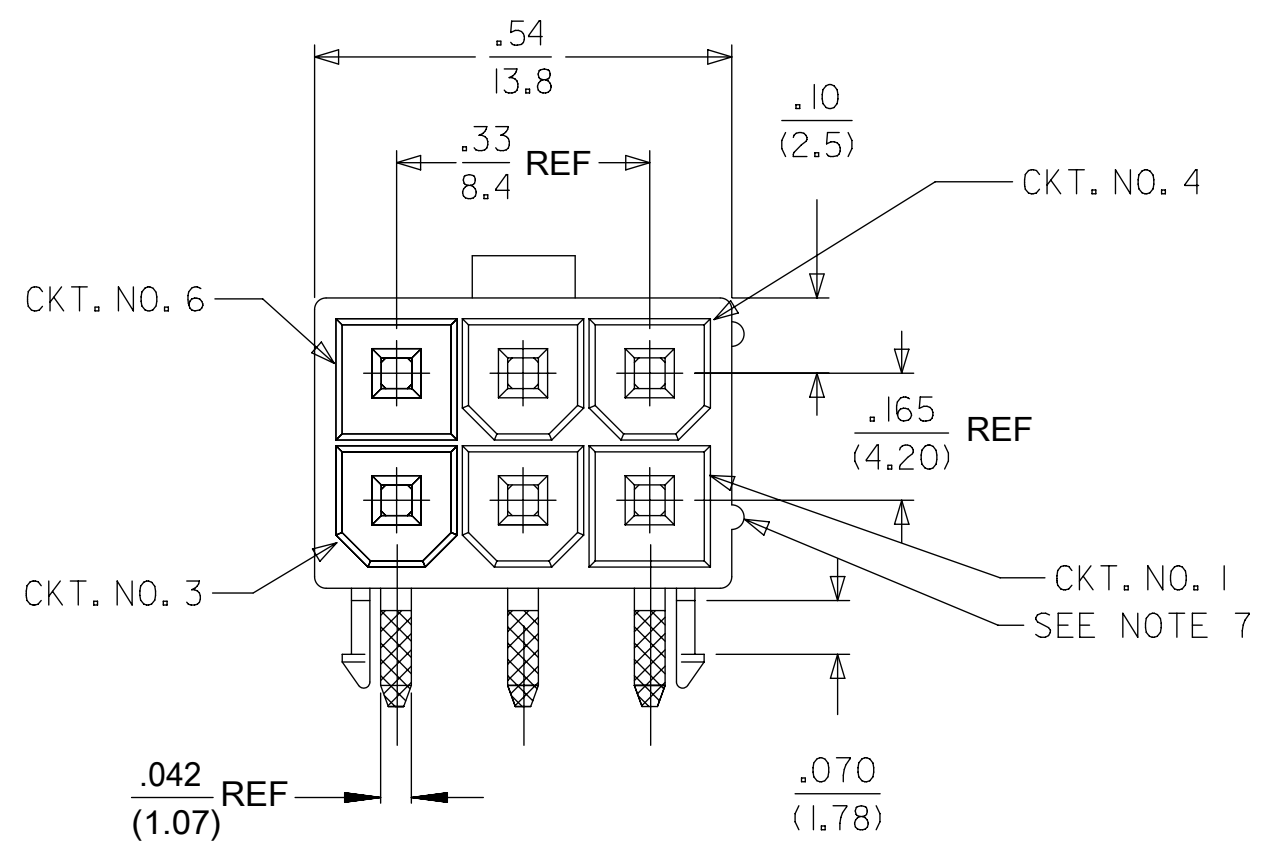


MATERIAL NUMBER	NUMBER OF PEGS
455580003	2

- NOTES:
- MATERIAL:
HOUSING: NYLON, UL94 V-0, COLOR: BLACK
TERMINALS: BRASS
 - TERMINAL FINISH:
.000100/(.00254) MIN. MATTE TIN OVER
.000050/(.00127) MIN. NICKEL OVERALL.
 - PRODUCT SPECIFICATION: PS-45558-001
 - PACKAGING: PER PK-5569-002
 - PARTS MATE WITH MINI-FIT JR. RECEPTACLE 455590002.
 - PARTS ARE NOT DESIGNED FOR CURRENT SHARING.
 - FULL RIB INDICATES CIRCUIT NO. 1.
 - PARTS ARE NOT TO BE MATED OR UNMATED WHILE CIRCUITS ARE LIVE.
 - DISCOLORATION IN THE BANDOLIER CARRIER AREA OF THE PIN IS INHERENT TO THE PLATING PROCESS AND IS DUE TO THE MASKING EFFECT OF THE CARRIER. THIS DISCOLORATION IS IN A NON-FUNCTIONAL AREA OF THE PIN AND WILL NOT AFFECT THE PERFORMANCE OF THE HEADER ASSEMBLY.
 - PART CONFORMS TO CLASS "B" REQUIREMENTS OF COSMETIC SPECIFICATION PS-45499-002.
 - FORMING MARKS ARE ACCEPTABLE.



RECOMMENDED HOLE LAYOUT FOR
.070/(1.78) MAX. THICK P.C. BOARD.
VIEWED FROM COMPONENT SIDE OF BOARD.

QUALITY SYMBOLS ▽ = 0 ▽ = 0 ▽ = 0 ▽ = 0 ▽ = 0 ▽ = 0 ▽ = 0 ▽ = 0 ▽ = 0 ▽ = 0	CONVERT TO NX EC NO: 103343 DRWN: CSLAFTER CHKD: JBELL REV: APPR: FSMITH	THIS DRAWING CONTAINS INFORMATION THAT IS PROPRIETARY TO MOLEX ELECTRONIC TECHNOLOGIES, LLC AND SHOULD NOT BE USED WITHOUT WRITTEN PERMISSION		GENERAL TOLERANCES (UNLESS SPECIFIED)		DIMENSION UNITS IN/MM		SCALE 4:1				
		4 PLACES ± ± 3 PLACES ± ± .010 2 PLACES ± 0.25 ± .015 1 PLACES ± 0.38 ± 0 PLACES ± ±		DRWN BY: GEP DATE: 2003/11/11 CHK'D BY: DATE:		APPR BY: FSMITH DATE: 2012/02/02		PRODUCT CUSTOMER DRAWING				
		ANGULAR TOL = 1/2		DRAFT WHERE APPLICABLE MUST REMAIN WITHIN DIMENSIONS		DRAWING SIZE: C		THIRD ANGLE PROJECTION		SERIES: 45558 MATERIAL NUMBER: SEE CHART CUSTOMER: GENERAL MARKET		
		B2		SD-45558-001		PSD		000		1 OF 1		