

注記 NOTES

1. 使用材料 MATERIAL

ウェハ：液晶ポリマー (LCP) ガラス充填 UL94V-0 (黒)
 WAFER : LIQUID CRYSTAL POLYMER (GLASS FILLED)
 UL94V-0 (COLOR:BLACK)

ピン：黄銅 (t=0.1)
 PIN : BRASS (t=0.1)

金具：りん青銅 (t=0.12)
 FITTING NAIL : PHOSPHOR BRONZE (t=0.12)

2. メッキ仕様 PLATING

ピン PIN

金メッキ 0.2 マイクロメートル以上 (コンタクト部)
 GOLD 0.2MICROMETER MINIMUM (CONTACT AREA)

金メッキ 0.4 マイクロメートル以下 (テール部)
 GOLD 0.4 MICROMETER MAXIMUM (TAIL AREA)

下地メッキ：ニッケルメッキ 1.5 マイクロメートル以上
 UNDER PLATING : NICKEL 1.5MICROMETER MINIMUM

金具 FITTING NAIL

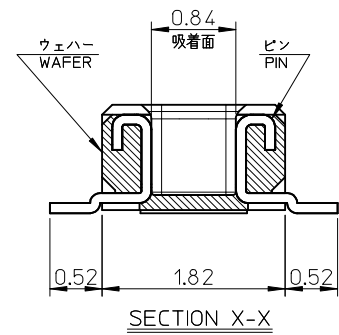
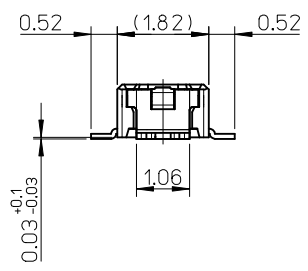
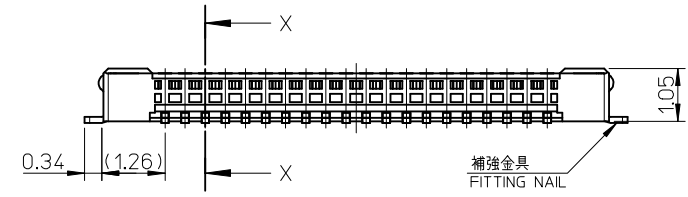
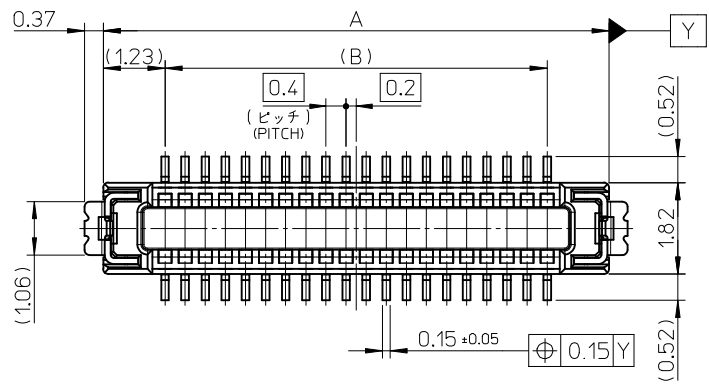
半田付け処理 (金・パラジウムコート)
 SOLDERABILITY IMPROVEMENT COAT (Au & Pd-Ni COAT)

下地メッキ：ニッケルメッキ 1.0 マイクロメートル以上
 UNDER PLATING : NICKEL 1.0MICROMETER MINIMUM

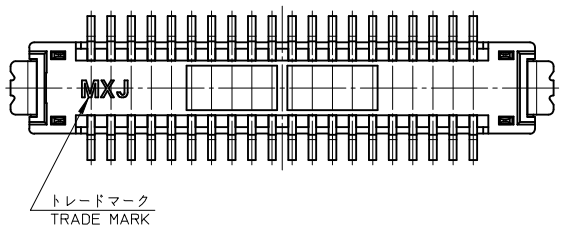
△ (全極数/2) = 偶数の場合に適用。
 APPLY OFR (CIRCUIT/2)=EVEN.

4. 嵌合相手：501527 シリーズ
 MATE WITH : 501527 SERIES.

5. テール平坦度は、0.08 以下
 テール及び金具の平坦度は、0.1 以下
 TAIL COPLANARITY TO BE 0.08MAXIMUM
 TAIL AND FITTING NAIL
 COPLANARITY TO BE 0.1MAXIMUM

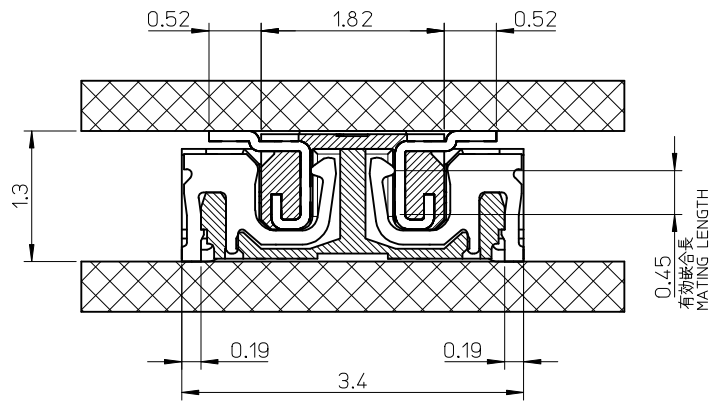


9.6	12.06	501531-0510	501531-0519	50
7.6	10.06	501531-0410	501531-0419	40
6.4	8.86	501531-3410	501531-3419	34
6.0	8.46	501531-3210	501531-3219	32
5.6	8.06	501531-0310	501531-0319	30
3.6	6.06	501531-0210	501531-0219	20
B	A	EMBOSSD TAPE PKG.	MATERIAL No.	CKT
		ORDER No. オーダー番号	MODEL No. : 501531-**-19	

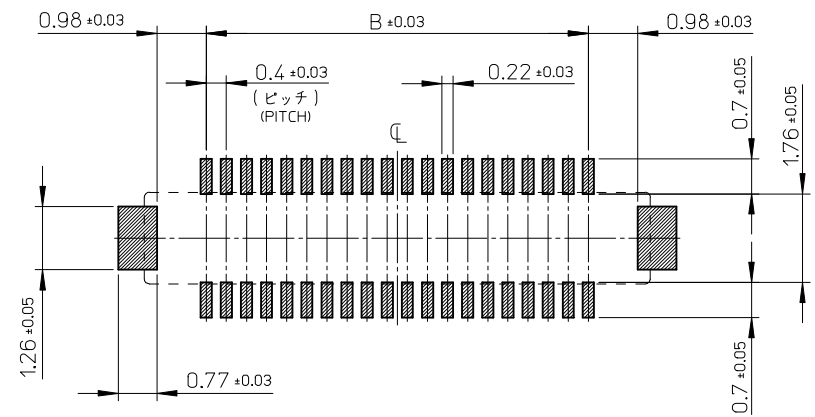


REVISED EC NO: J2017-0224 DRM/N/SHIKAWA 2016/10/12 CHKD:K/TAKAHASHI 2016/10/12 APPR:MSASAO 2016/10/14	GENERAL TOLERANCES (UNLESS SPECIFIED)		DIMENSION STYLE MM ONLY		SCALE 10:1	DESIGN UNITS METRIC	THIRD ANGLE PROJECTION
	0.25 UNDER	±	DRAWN BY RTAKEUCHI	DATE 2005/10/25	TITLE 0.4 B-TO-B CONN. HGT=1.3 PLUG ASSY [OVERMOLD] -LEAD FREE-		
	0.25 OVER 0.5 UNDER	±	CHECKED BY THIRATA	DATE 2005/10/25			
	0.5 OVER 1.0 UNDER	±	APPROVED BY MSASAO	DATE 2005/10/25			
10 OVER 30 UNDER	±0.25	MATERIAL NO.		SEE CHART	DOCUMENT NO. SD-501531-001	SHEET NO. 1 OF 2	
30 OVER	±0.3	DRAFT WHERE APPLICABLE MUST REMAIN WITHIN DIMENSIONS		SIZE A3	THIS DRAWING CONTAINS INFORMATION THAT IS PROPRIETARY TO MOLEX ELECTRONIC TECHNOLOGIES, LLC AND SHOULD NOT BE USED WITHOUT WRITTEN PERMISSION		

10 9 8 7 6 5 4 3 2 1



嵌合断面図 (参考)
MATED DRAWING (REFERENCE)



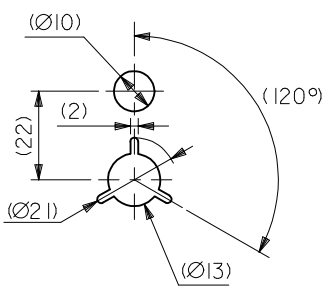
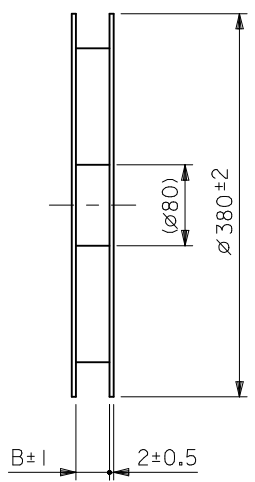
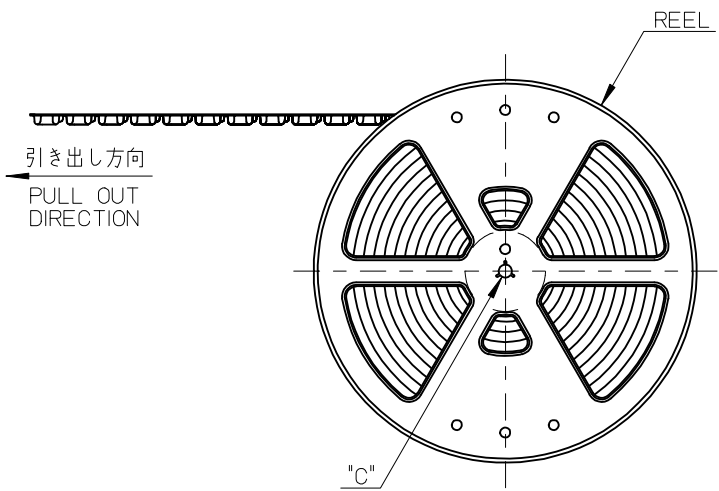
参考基板レイアウト (マウント面)
P.C.BOARD PATTERN DIMENSION.(REFERENCE)
(MOUNTING AREA)

REVISED EC NO: J2017-0224 DRWN: NISHIKAWA 2016/10/12 CHKD: TAKAHASHI 2016/10/12 APPR: MSASAO 2016/10/14	GENERAL TOLERANCES (UNLESS SPECIFIED)		DIMENSION STYLE MM ONLY		SCALE 10:1	DESIGN UNITS METRIC	THIRD ANGLE PROJECTION
	0.25 UNDER	±	DRAWN BY RTAKEUCHI	DATE 2005/10/25	TITLE 0.4 B-TO-B CONN. HGT=1.3 PLUG ASSY [OVERMOLD] -LEAD FREE-		
	0.25 OVER 0.5 UNDER	±	CHECKED BY THIRATA	DATE 2005/10/25	molex		
	0.5 OVER 1.0 UNDER	±	APPROVED BY MSASAO	DATE 2005/10/25			
	0 OVER 10 UNDER	±0.2	MATERIAL NO. SEE SHEET1	DOCUMENT NO. SD-501531-001	SHEET NO. 2 OF 2		
10 OVER 30 UNDER	±0.25	DRAFT WHERE APPLICABLE MUST REMAIN WITHIN DIMENSIONS		THIS DRAWING CONTAINS INFORMATION THAT IS PROPRIETARY TO MOLEX ELECTRONIC TECHNOLOGIES, LLC AND SHOULD NOT BE USED WITHOUT WRITTEN PERMISSION			
30 OVER	±0.3						
ANGULAR	±3 °						

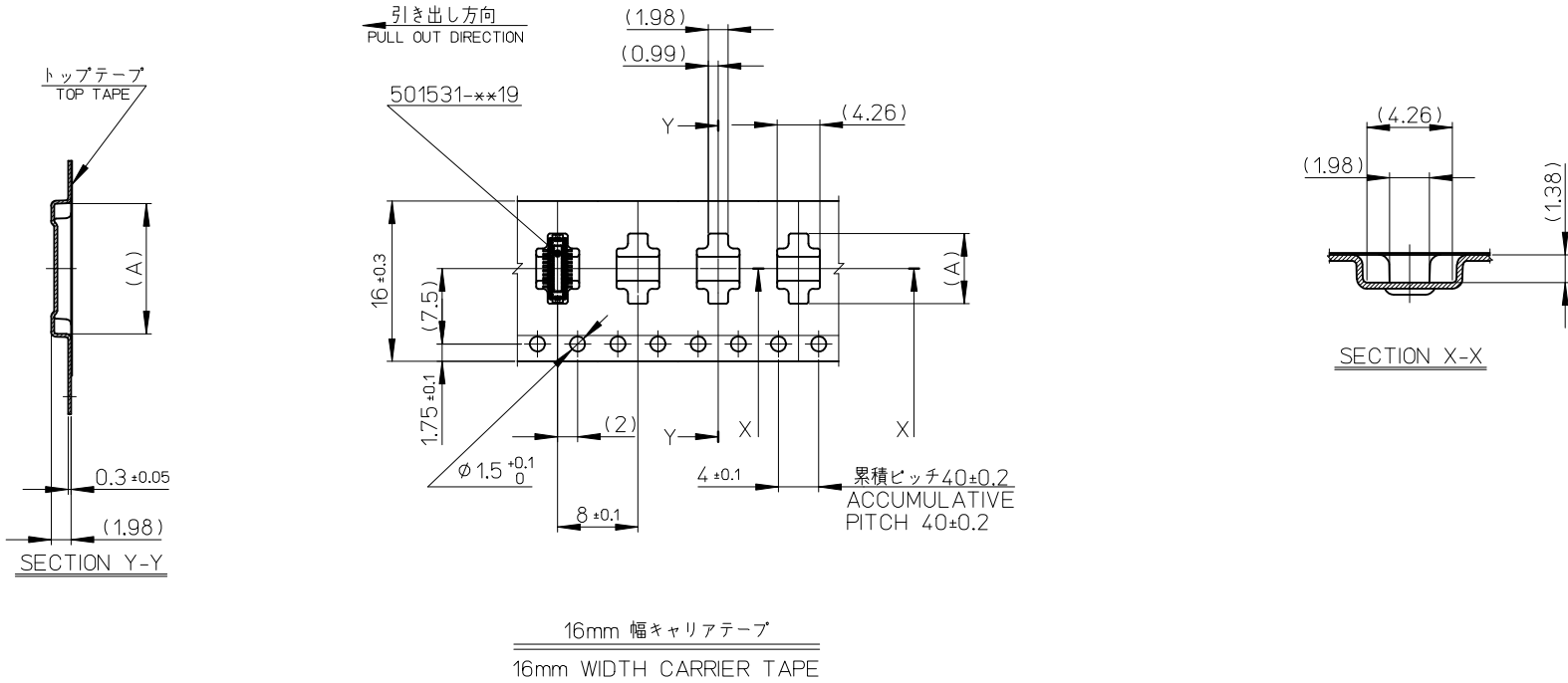
9 8 7 6 5 4 3 2 1

注記 NOTES

- 製品詳細寸法については製品単体図面を参照下さい。
RE DETAILED DIMENSION, SEE PRODUCT DRAWING.
- 梱包数量：6000 個/リール
NUMBER OF CONNECTORS : 6000PCS/REEL
- リードテープ長さ LEAD TAPE LENGTH

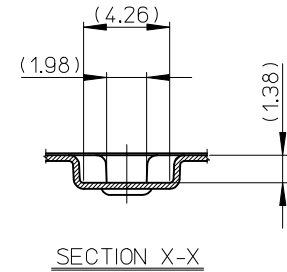
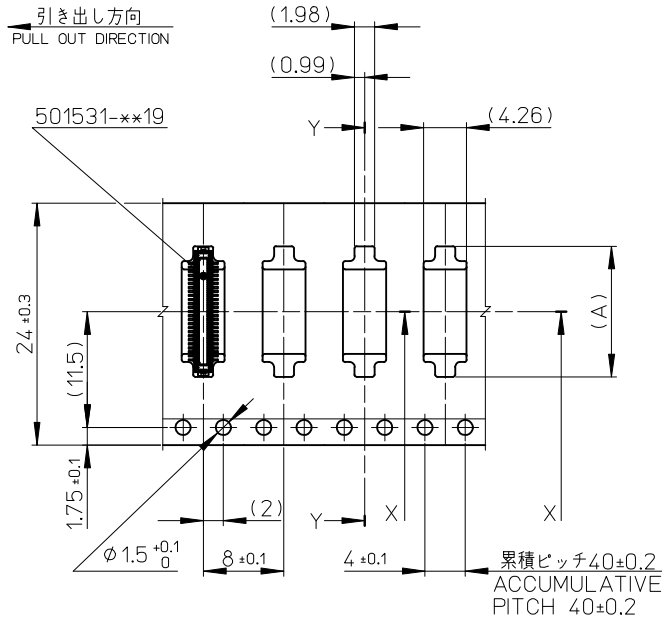
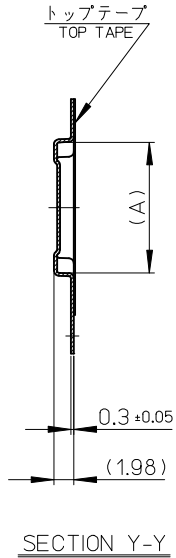


REVISED EC NO: J2016-1237 DRWN: MISHIKAWA 2016/06/09 CHKD: Y0110 2016/06/09 APPR: Y0110 2016/06/16	GENERAL TOLERANCES (UNLESS SPECIFIED)		DIMENSION STYLE MM ONLY		SCALE ---	DESIGN UNITS METRIC	MODEL NO. 501531-**10
	0.25 UNDER	UNDER	±0.03	DRAWN BY RTAKEUCHI	DATE 2005/10/27	TITLE 0.4 B-TO-B CONN. HGT=1.3 PLUG ASSY EMBSTP PKG -LEAD FREE-	THIRD ANGLE PROJECTION
	0.25 OVER	0.5 UNDER	±0.05	CHECKED BY THIRATA	DATE 2005/10/27	molex	DOCUMENT NO. SD-501531-002
	0.5 OVER	1.0 UNDER	±0.1	APPROVED BY MSASAO	DATE 2005/10/27		
	1.0 OVER	10 UNDER	±---	MATERIAL NO. SEE CHART		THIS DRAWING CONTAINS INFORMATION THAT IS PROPRIETARY TO MOLEX ELECTRONIC TECHNOLOGIES, LLC AND SHOULD NOT BE USED WITHOUT WRITTEN PERMISSION	
10 OVER	30 UNDER	±---	DRAFT WHERE APPLICABLE MUST REMAIN WITHIN DIMENSIONS				
30 OVER		±---	SIZE A3				
ANGULAR		±--- °					



16	17.5	6.96	501531-0210	20
キャリアテープ幅 CARRIER TAPE WIDTH		B	(A)	MATERIAL No. 501531-**10 CKT. 501531-0210

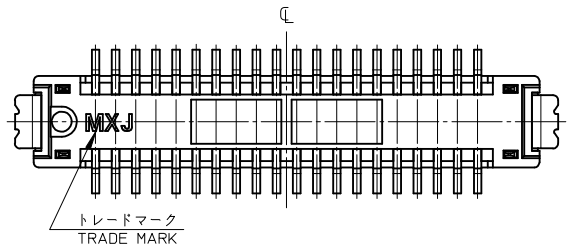
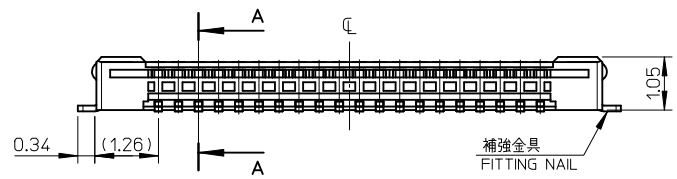
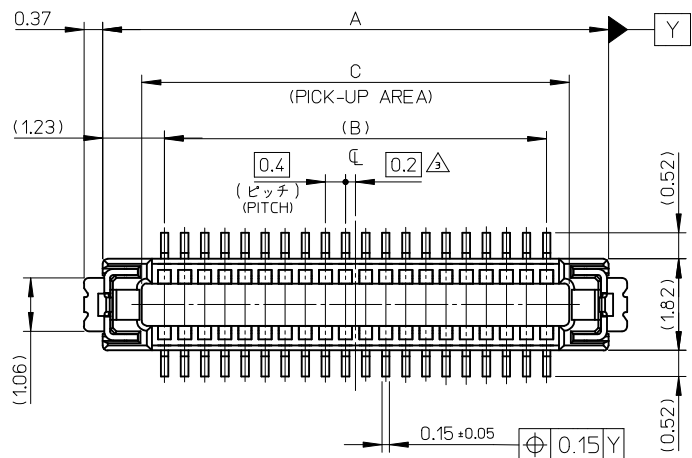
REVISED EC NO: J2016-1237 DRWN: MISHIKAWA 2016/06/09 CHKD: Y0110 2016/06/09 APPR: Y0110 2016/06/16	GENERAL TOLERANCES (UNLESS SPECIFIED)			DIMENSION STYLE MM ONLY		SCALE ---	DESIGN UNITS METRIC	THIRD ANGLE PROJECTION
	0.25 UNDER	UNDER	±0.03	DRAWN BY	DATE	TITLE		
	0.25 OVER	0.5 UNDER	±0.05	RTAKEUCHI	2005/10/27	0.4 B-TO-B CONN. HGT=1.3 PLUG ASSY EMBSTP PKG -LEAD FREE-		
	0.5 OVER	1.0 UNDER	±0.1	THIRATA	2005/10/27			
	1.0 OVER	10 UNDER	±---	APPROVED BY	DATE	molex DOCUMENT NO. SD-501531-002 SHEET NO. 2 OF 3		
10 OVER	30 UNDER	±---	MSASAO	2005/10/27				
30 OVER		±---	MATERIAL NO.		SEE CHART			
ANGULAR	±--- °		DRAFT WHERE APPLICABLE MUST REMAIN WITHIN DIMENSIONS		SIZE A3	THIS DRAWING CONTAINS INFORMATION THAT IS PROPRIETARY TO MOLEX ELECTRONIC TECHNOLOGIES, LLC AND SHOULD NOT BE USED WITHOUT WRITTEN PERMISSION		



24mm 幅キャリアテープ
24mm WIDTH CARRIER TAPE

24	25.5	12.96	501531-0510	50	
		10.96	501531-0410	40	
		9.76	501531-3410	34	
		9.36	501531-3210	32	
		8.96	501531-0310	30	
キャリアテープ幅 CARRIER TAPE WIDTH		B	(A)	MATERIAL No.	CKT.
			MODEL No.	501531-**-10	

REVISED EC NO: J2016-1237 DRWN: MISHIKAWA CHKD: Y0110 APPR: Y0110	2016/06/09 2016/06/09 2016/06/16	GENERAL TOLERANCES (UNLESS SPECIFIED)			DIMENSION STYLE		SCALE	DESIGN UNITS		TITLE 0.4 B-TO-B CONN. HGT=1.3 PLUG ASSY EMBSTP PKG -LEAD FREE- molex DOCUMENT NO. SD-501531-002 SHEET NO. 3 OF 3	
		0.25 UNDER UNDER ±0.03			MM ONLY		---	METRIC			THIRD ANGLE PROJECTION
		0.25 OVER 0.5 UNDER ±0.05			DRAWN BY DATE		RTAKEUCHI 2005/10/27				
		0.5 OVER 1.0 UNDER ±0.1			CHECKED BY DATE		THIRATA 2005/10/27				
		1.0 OVER 10 UNDER ±---			APPROVED BY DATE		MSASAO 2005/10/27				
		30 OVER ±---			MATERIAL NO.		SEE CHART				
ANGULAR ±---°			DRAFT WHERE APPLICABLE MUST REMAIN WITHIN DIMENSIONS		SIZE A3		THIS DRAWING CONTAINS INFORMATION THAT IS PROPRIETARY TO MOLEX ELECTRONIC TECHNOLOGIES, LLC AND SHOULD NOT BE USED WITHOUT WRITTEN PERMISSION				



注記 NOTES

1. 使用材料 MATERIAL

ハウジング: 液晶ポリマー (LCP) ガラス充填 UL94V-0 (黒)
 HOUSING: LIQUID CRYSTAL POLYMER (GLASS FILLED)
 UL94V-0 (COLOR:BLACK)

ターミナル: 黄銅 (t=0.1)
 TERMINAL: BRASS (t=0.1)

金具: りん青銅 (t=0.12)
 FITTING NAIL: PHOSPHOR BRONZE (t=0.12)

2. メッキ仕様 PLATING

ターミナル TERMINAL

コンタクト部: 金メッキ 0.1 マイクロメートル以上
 CONTACT AREA: GOLD 0.1 MICROMETER MINIMUM

テール部: 金メッキ
 TAIL AREA: GOLD

下地メッキ: ニッケルメッキ 1.5 マイクロメートル以上
 UNDER PLATING: NICKEL 1.5 MICROMETER MINIMUM

金具 FITTING NAIL

半田付け処理 (金・パラジウムコート)
 SOLDERABILITY IMPROVEMENT COAT (Au & Pd-Ni COAT)

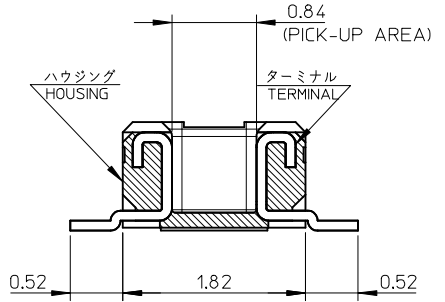
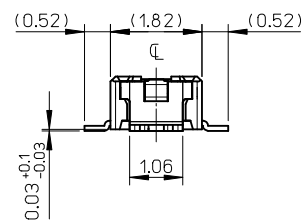
下地メッキ: ニッケルメッキ 1.0 マイクロメートル以上
 UNDER PLATING: NICKEL 1.0 MICROMETER MINIMUM

△ (全極数/2) = 偶数の場合に適用。
 APPLY FOR (CIRCUIT/2)=EVEN.

4. 嵌合相手: 505225 シリーズ
 MATE WITH: 505225 SERIES.

5. テール平坦度は、0.08 以下
 テール及び金具の平坦度は、0.1 以下
 TAIL COPLANARITY TO BE 0.08 MAXIMUM
 TAIL AND FITTING NAIL
 COPLANARITY TO BE 0.1 MAXIMUM

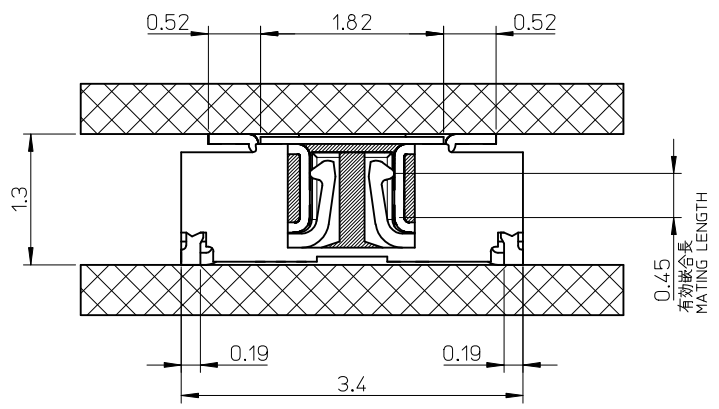
6. ELV & RoHS 適合品。
 ELV and RoHS COMPLIANT.



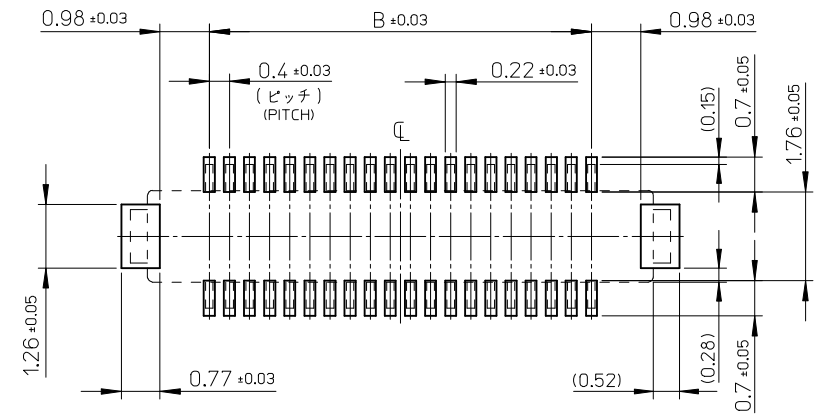
SECTION A-A
 SCALE 20:1

18.5	17.6	20.06	505226-0900	90
C	B	A	EMBOSSED PACKAGE	極数
			オーダー番号 ORDER No.	CIRCUITS
CONNECTOR SERIES No.505226-**09				

RELEASED EC NO: J2015-0069 DRWN: JFURUKAWA 2014/07/14 CHKD: TASAKAWA 2014/07/14 APPR: KMORIKAWA 2014/12/08	DESCRIPTION GENERAL TOLERANCES (UNLESS SPECIFIED)	DIMENSION STYLE MM ONLY		SCALE 10:1	DESIGN UNITS METRIC	THIRD ANGLE PROJECTION	
		10 UNDER ±0.2 10 OVER 30 UNDER ±0.25 30 OVER ±0.3	DRAWN BY JFURUKAWA	DATE 2014/07/14	TITLE 0.4 B-TO-B CONN. HGT=1.3 PLUG ASSY [OVERMOLD] -LEAD FREE-		
		ANGULAR ±3 ° DRAFT WHERE APPLICABLE MUST REMAIN WITHIN DIMENSIONS	CHECKED BY TASAKAWA	DATE 2014/07/14	molex		
		SEE TABLE	APPROVED BY KMORIKAWA	DATE 2014/12/08	MATERIAL NO. SD-505226-001	DOCUMENT NO.	SHEET NO. 1 OF 2



嵌合断面図 (参考)
MATED DRAWING (REFERENCE)



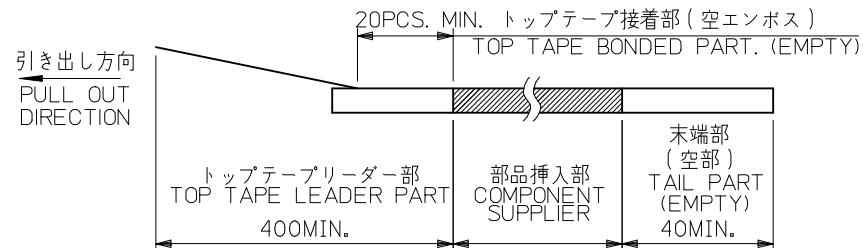
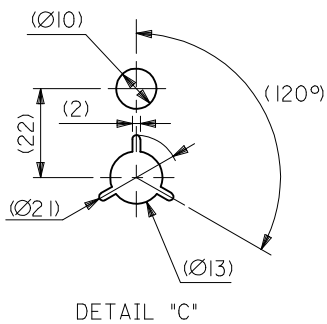
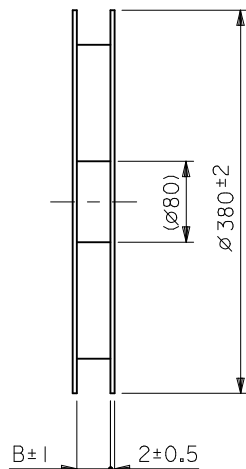
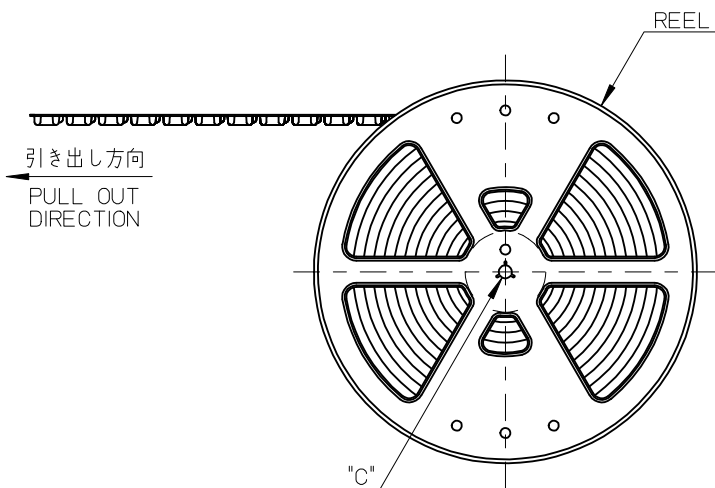
参考基板レイアウト (マウント面)
P.C. BOARD PATTERN DIMENSION (REFERENCE)
(MOUNTING AREA)

メタルマスク厚: 0.1
METAL MASK THICKNESS: 0.1
開口率: 100%
APERTURE RATIO: 100%

RELEASED EC NO: J2015-0069 DRWN: JFURUKAWA 2014/07/14 CHKD: TASAKAWA 2014/07/14 APPR: KMORIKAWA 2014/12/08	GENERAL TOLERANCES (UNLESS SPECIFIED)		DIMENSION STYLE MM ONLY	SCALE 10:1	DESIGN UNITS METRIC	THIRD ANGLE PROJECTION
	10 UNDER	± 0.2	DRAWN BY JFURUKAWA	DATE 2014/07/14	TITLE 0.4 B-TO-B CONN. HGT=1.3 PLUG ASSY [OVERMOLD] -LEAD FREE-	
	10 OVER 30 UNDER	± 0.25	CHECKED BY TASAKAWA	DATE 2014/07/14		
	30 OVER	± 0.3	APPROVED BY KMORIKAWA	DATE 2014/12/08	molex	
ANGULAR	± 3 °	MATERIAL NO. SEE SHEET 1	DOCUMENT NO. SD-505226-001	SHEET NO. 2 OF 2		
REV 0	DRAFT WHERE APPLICABLE MUST REMAIN WITHIN DIMENSIONS		THIS DRAWING CONTAINS INFORMATION THAT IS PROPRIETARY TO MOLEX INCORPORATED AND SHOULD NOT BE USED WITHOUT WRITTEN PERMISSION			

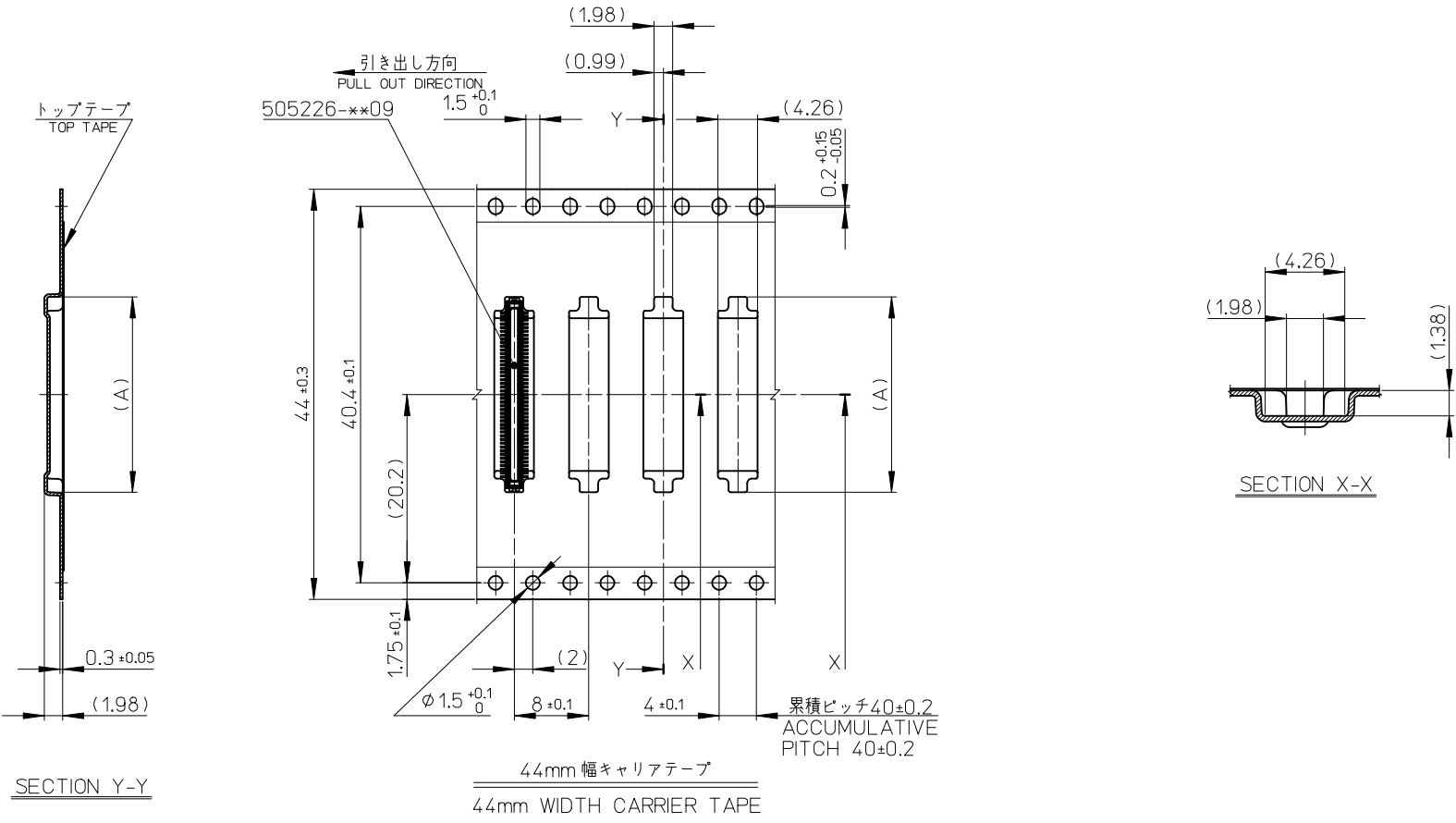
注記 NOTES

- 製品詳細寸法については SD-505226-001 を参照下さい。
RE DETAILED DIMENSION, SEE SALES DRAWING FOR CONNECTOR.
- 梱包数量: 6000 個/リール
NUMBER OF CONNECTORS : 6000 PCS/REEL
- リードテープ長さ LEAD TAPE LENGTH



- トップテープの剥離強度については、IEC60286-3 に準拠。
COVER TAPE PEEL FORCE IS DEFINED BY IEC60286-3.
- 材料 MATERIAL
キャリアテープ: ポリスチレン (PS)
CARRIER TAPE: POLYSTYRENE (PS)
トップテープ: PET, PE, PEF
TOP TAPE: PET, PE, PEF
リール: PS <リサイクル材を含む>
REEL: PS <RECYCLE MATERIAL CONTAINED>
- ELV & RoHS 適合品
ELV AND RoHS COMPLIANT.

RELEASED EC NO: J2015-0069 DRWN: JFURUKAWA 2014/07/15 CHKD: TASAKAWA 2014/07/15 APPR: KMORIKAWA 2014/12/08	GENERAL TOLERANCES (UNLESS SPECIFIED)		DIMENSION STYLE MM ONLY		SCALE ---	DESIGN UNITS METRIC	MODEL NO. 505226-***00
	10 UNDER	±---	DRAWN BY JFURUKAWA	DATE 2014/07/15	TITLE 0.4 B-TO-B CONN. HGT=1.3 PLUG ASSY EMBSTP PKG -LEAD FREE-		
	10 OVER 30 UNDER	±---	CHECKED BY TASAKAWA	DATE 2014/07/15			
	30 OVER	±---	APPROVED BY KMORIKAWA	DATE 2014/12/08			
ANGULAR	±---°	MATERIAL NO.		DOCUMENT NO.		SHEET NO.	
DRAFT WHERE APPLICABLE MUST REMAIN WITHIN DIMENSIONS		SEE CHART		SD-505226-002		1 OF 2	
THIS DRAWING CONTAINS INFORMATION THAT IS PROPRIETARY TO MOLEX INCORPORATED AND SHOULD NOT BE USED WITHOUT WRITTEN PERMISSION							



SECTION Y-Y

SECTION X-X

44	45.5	20.96	505226-0900	90
キャリアテープ幅 CARRIER TAPE WIDTH	B	(A)	MATERIAL No.	CKT.
			MODEL No.	505226-**-00

RELEASED EC NO: J2015-0069 DRWN: JFURUKAWA 2014/07/15 CHKD: TASAKAWA 2014/07/15 APPR: KMORIKAWA 2014/12/08	GENERAL TOLERANCES (UNLESS SPECIFIED)
	10 UNDER ±---
	10 OVER 30 UNDER ±---
	30 OVER ±---
	ANGULAR ±---°
DRAFT WHERE APPLICABLE MUST REMAIN WITHIN DIMENSIONS	

DIMENSION STYLE MM ONLY	
DRAWN BY JFURUKAWA	DATE 2014/07/15
CHECKED BY TASAKAWA	DATE 2014/07/15
APPROVED BY KMORIKAWA	DATE 2014/12/08
MATERIAL NO.	
SEE CHART	
SIZE A3	THIS DRAWING CONTAINS INFORMATION THAT IS PROPRIETARY TO MOLEX INCORPORATED AND SHOULD NOT BE USED WITHOUT WRITTEN PERMISSION

SCALE ---	DESIGN UNITS METRIC	THIRD ANGLE PROJECTION
TITLE 0.4 B-TO-B CONN. HGT=1.3 PLUG ASSY EMBSTP PKG -LEAD FREE-		
DOCUMENT NO. SD-505226-002		SHEET NO. 2 OF 2