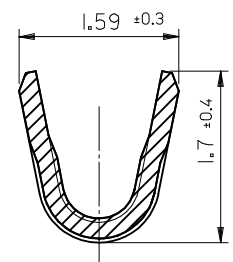
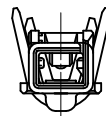
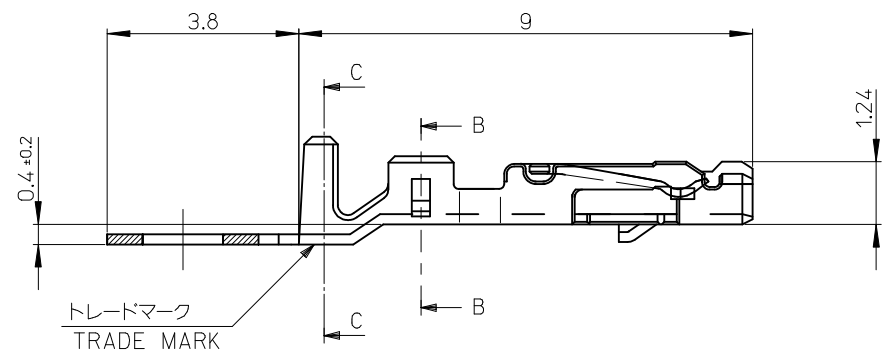
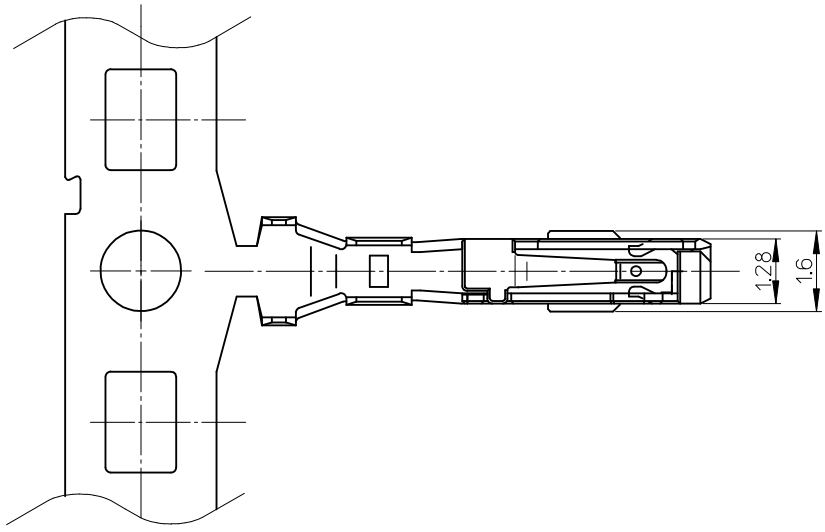


注記
NOTES

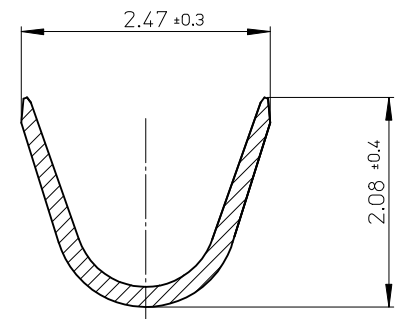
1. 使用材料 : 銅合金, 錫メッキ (t=0.2)
MATERIAL : REFLOWED TIN COPPER ALLOY
2. 適合ハウジング : 501646 シリーズ
APPLICABLE HOUSING : 501646 SERIES
3. 電線仕様
CABLE SPEC.
AWG : #22~26
適用電線範囲 : 0.126~0.34mm²
WIRE RANGE
被覆外形 : $\Phi 0.95 \sim \Phi 1.5\text{mm}$
INS. RANGE

4. 嵌合相手 MATES WITH

PLUG ST HEADER (TIN PLATING)	501645 SERIES
PLUG R/A HEADER (TIN PLATING)	501876 SERIES
5. ELV 及び RoHS 適合品
ELV AND RoHS COMPLIANT.



SECTION B-B
(SCALE:20-1)



SECTION C-C
(SCALE:20-1)

501647-1100	バラ状 LOOSE
501647-1000	連鎖状 CHAIN
MATERIAL NO.	端子形状 FORM

REVISED EC NO: J2017-0032 DRWN: AIDA CHKD: SAKIYAMA APPR: KANEKO	2016/07/04 2016/07/04 2016/07/12	GENERAL TOLERANCES (UNLESS SPECIFIED)		DIMENSION STYLE MM ONLY		SCALE 10:1	DESIGN UNITS METRIC	THIRD ANGLE PROJECTION		
	DESCRIPTION	0.25 UNDER	UNDER	±0.03	DRAWN BY	DATE	TITLE			
	REV	0.25 OVER	0.5 UNDER	±0.05	N. ITO	'05/07/04	IGRID 2.0MM W/B DUAL RCPT TERM AWG #22 - 26 molex DOCUMENT NO. SD-501647-001 SHEET NO. 1 OF 1			
		0.5 OVER	1.0 UNDER	±0.1	CHECKED BY	DATE				
		1.0 OVER	10 UNDER	±0.2	ASAKAWA	'05/07/04				
	10 OVER	30 UNDER	±0.25	APPROVED BY	DATE					
	30 OVER		±0.3	ICHIKAWA	'05/07/04					
	ANGULAR ±1 °			MATERIAL NO.						
DRAFT WHERE APPLICABLE MUST REMAIN WITHIN DIMENSIONS				SIZE A3	THIS DRAWING CONTAINS INFORMATION THAT IS PROPRIETARY TO MOLEX ELECTRONIC TECHNOLOGIES, LLC AND SHOULD NOT BE USED WITHOUT WRITTEN PERMISSION					