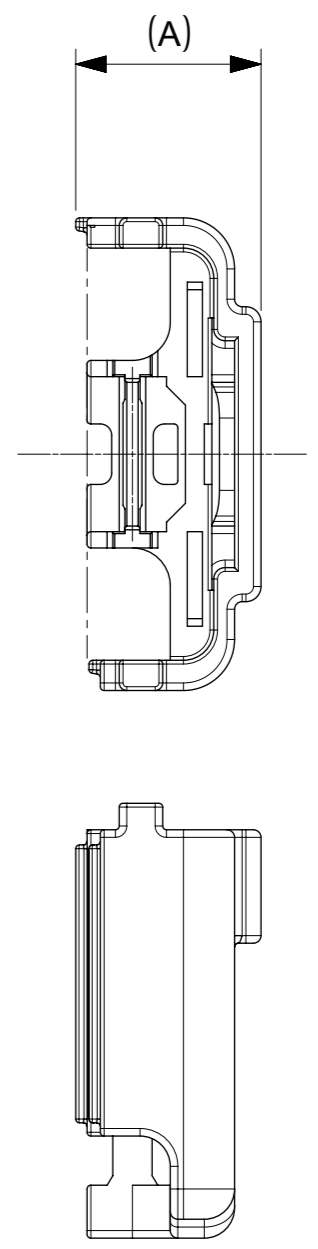
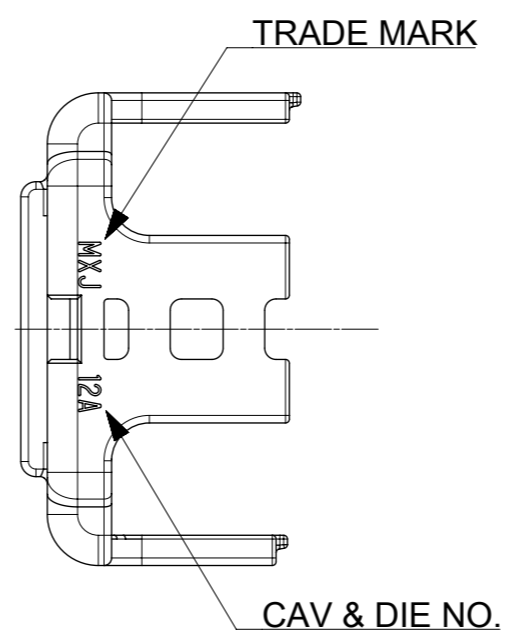


4CKT



CASE OF 2CKT

| | | | |
|-----|-----|----------------------|---------------|
| 2.5 | 7.4 | 5055940411 | 4 |
| 0.0 | 4.9 | 5055940211 | 2 |
| B | A | 製品番号 MATERIAL No. | 極数 CIRCUIT |

注記
NOTES
 1. 適合端子 :5055979*00,561348*00,561349*00,593708*00
 APPLICABLE TERMINAL:5055979*00,561348*00,561349*00,593708*00
 2. 適合ハウジング :505596シリーズ
 APPLICABLE HOUSING:505596 SERIES
 3. 材料 :ポリエステル(PBT UL94-V0)
 MATERIAL:POLYESTER(PBT UL94-V0)
 色 :グレー
 COLOR:GRAY

THIS DRAWING CONTAINS INFORMATION THAT IS PROPRIETARY TO MOLEX ELECTRONIC TECHNOLOGIES, LLC AND SHOULD NOT BE USED WITHOUT WRITTEN PERMISSION

| | | | | | |
|---|---|--|--|--|--|
| EC NO: 117526 DRWN: HKOBAYASHI CHK'D: SAKIYAMA APPR: TKANEKO | 2017/06/08 2017/06/28 2017/06/29 | GENERAL TOLERANCES (UNLESS SPECIFIED) ANGULAR TOL ± 3.0 ° | DIMENSION UNITS: MM SCALE: 5:1 | | |
| | 4 PLACES ± 0.2 3 PLACES ± 0.2 2 PLACES ± 0.2 1 PLACE ± 0.2 0 PLACES ± 0.2 | DRWN BY: HKOBAYASHI DATE: 2017/06/08 | CHK'D BY: SAKIYAMA DATE: 2017/06/28 | | MUO 2.5 WW DUAL ROW RETAINER |
| | DRAFT WHERE APPLICABLE MUST REMAIN WITHIN DIMENSIONS | APPR BY: TKANEKO DATE: 2017/06/29 | DRAWING SIZE: A3 THIRD ANGLE PROJECTION | | PRODUCT CUSTOMER DRAWING |
| | A | DRAWING SIZE: A3 THIRD ANGLE PROJECTION | SERIES: 505594 MATERIAL NUMBER: SEE CHART CUSTOMER: GENERAL MARKET | | DOCUMENT NUMBER: 5055940000-SD DOC TYPE: PSD DOC PART: 000 SHEET NUMBER: 1 OF 1 |