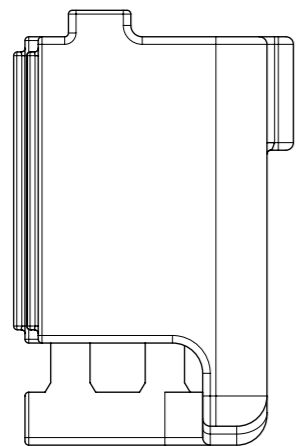
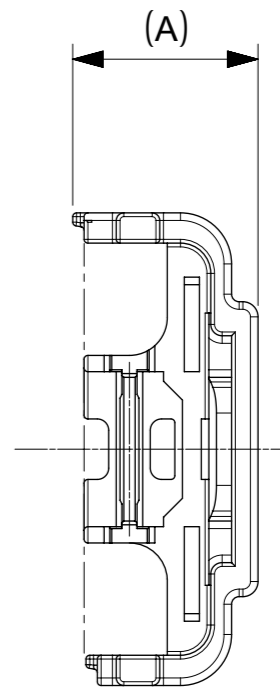
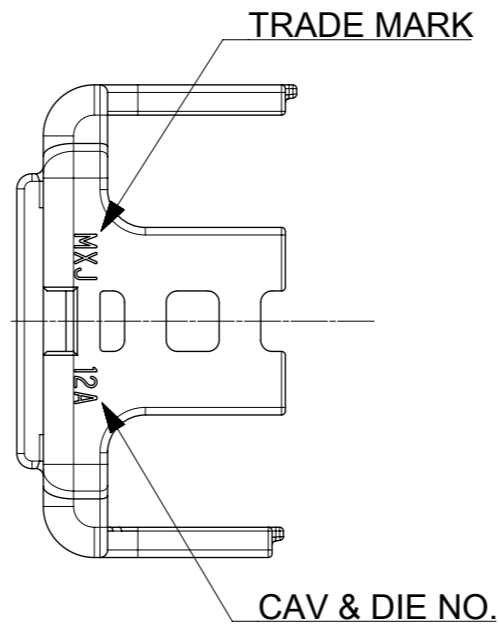
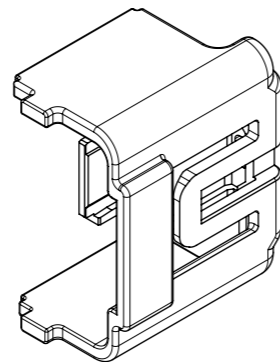


(12.5)

(0.7) 10.8 ±0.3



4CKT



CASE OF 2CKT

2.5	7.4	5055940411	4
0.0	4.9	5055940211	2
B	A	製品番号 MATERIAL No.	極数 CIRCUIT

注記

NOTES

- 適合端子 :5055979*00,561348*00,561349*00,593708*00
APPLICABLE TERMINAL:5055979*00,561348*00,561349*00,593708*00
- 適合ハウジング :505596シリーズ
APPLICABLE HOUSING:505596 SERIES
- 材料 :ポリエステル(PBT UL94-V0)
MATERIAL:POLYESTER(PBT UL94-V0)
色 :グレー
COLOR:GRAY

THIS DRAWING CONTAINS INFORMATION THAT IS PROPRIETARY TO MOLEX ELECTRONIC TECHNOLOGIES, LLC AND SHOULD NOT BE USED WITHOUT WRITTEN PERMISSION

EC NO: 117526 DRWN: HKOBAYASHI CHK'D: SAKIYAMA APP: TKANEKO	2017/06/08	2017/06/28	2017/06/29	GENERAL TOLERANCES (UNLESS SPECIFIED) ANGULAR TOL ± 3.0 ° 4 PLACES ± 0.2 3 PLACES ± 0.2 2 PLACES ± 0.2 1 PLACE ± 0.2 0 PLACES ± 0.2 DRAFT WHERE APPLICABLE MUST REMAIN WITHIN DIMENSIONS	DIMENSION UNITS	SCALE	 MUO 2.5 WW DUAL ROW RETAINER PRODUCT CUSTOMER DRAWING				
	MM				5:1	DRWN BY		DATE	SERIES	MATERIAL NUMBER	CUSTOMER
	HKOBAYASHI				2017/06/08	CHK'D BY		DATE			
	SAKIYAMA				2017/06/28	APPR BY		DATE	DOCUMENT NUMBER	DOC TYPE	DOC PART
TKANEKO			2017/06/29	DRAWING SIZE	THIRD ANGLE PROJECTION	5055940000-SD PSD 000 1 OF 1					
A	REV				A3						