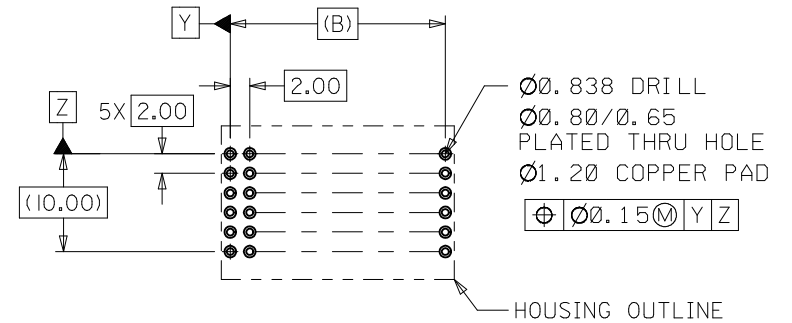
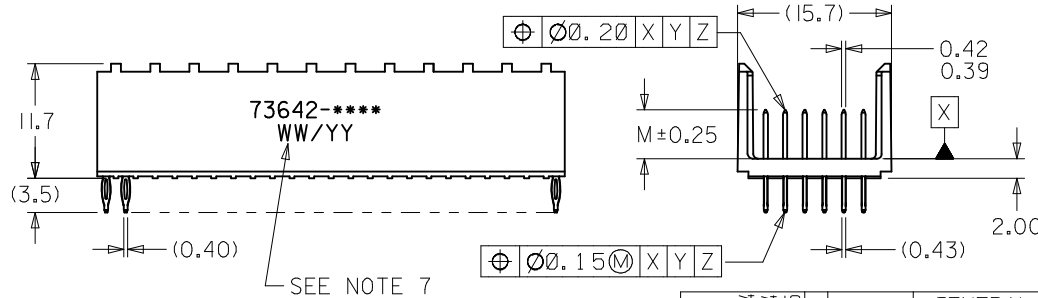
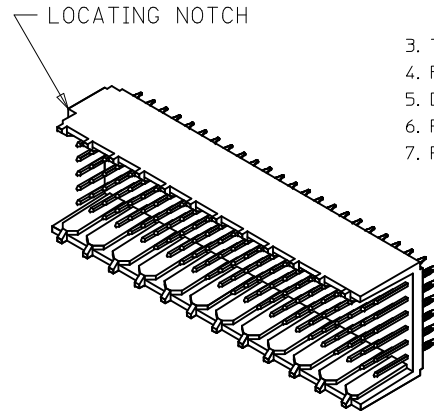
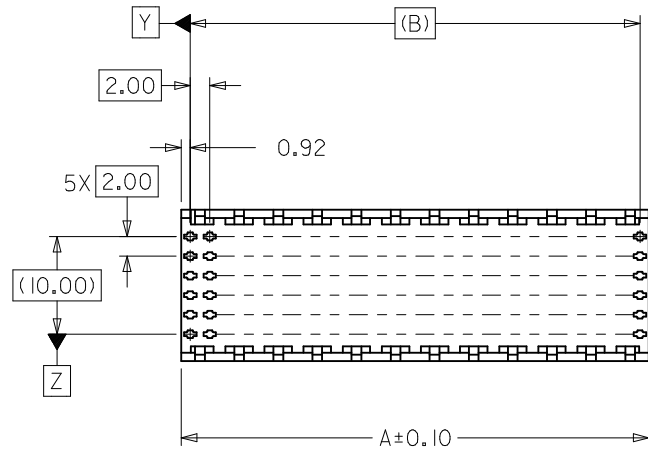


NOTES:

1. MATERIALS: HOUSING - LIQUID CRYSTAL POLYMER (LCP)
GLASS-FILLED, UL 94V-0, COLOR: BLACK.
TERMINAL - PHOSPHOR BRONZE.
2. FINISH: SELECTIVE GOLD (Au) IN CONTACT AREA, 0.76 MICROMETERS MINIMUM THICKNESS;
NICKEL (Ni) AND GOLD FLASH OVERALL.
SELECTIVE GOLD (Au) IN CONTACT AREA, 0.76 MICROMETERS MINIMUM THICKNESS,
SELECTIVE MATTE TIN (Sn) ON IN TAIL AREA.
NICKEL (Ni) OVERALL.
3. THIS PART CONFORMS TO MOLEX PRODUCT SPECIFICATION PS-73670-9999.
4. FOR MIXED CONTACT MATING LENGTHS, CONSULT FACTORY FOR AVAILABILITY.
5. DIMENSIONS ARE IN MILLIMETERS.
6. PACKAGE PER 70873-0818.
7. PARTS MARKED WITH PART NUMBER AND DATE CODE ON EITHER SIDE,
APPROXIMATELY WHERE SHOWN.



PCB LAYOUT: COMPONENT SIDE
RECOMMENDED PCB THICKNESS: 2.50 MIN.

LEAD FREE CONVERSION EC NO: UCP2013-3253 DRAWN BY: RWHIPPLE 2013/02/04 CHKD: MWOLFE 2013/02/04 APPR: SMILLER 2013/08/05	DESCRIPTION REV J	QUALITY SYMBOLS	GENERAL TOLERANCES (UNLESS SPECIFIED)	DIMENSION STYLE	SCALE	DESIGN UNITS	THIRD ANGLE PROJECTION
		$\nabla F/0$ $\nabla E/0$ $\nabla E/0$	mm INCH 4 PLACES ± --- ± --- 3 PLACES ± --- ± --- 2 PLACES ± 0.05 ± --- 1 PLACE ± 0.10 ± --- 0 PLACE ± --- ± ---	MM ONLY	2:1	METRIC	TITLE SALES ASSEMBLY HDM BACKPLANE MODULE OPEN END OPTION
		ANGULAR ±1/2° DRAFT WHERE APPLICABLE MUST REMAIN WITHIN DIMENSIONS	DRAWN BY: RWHIPPLE 2013/02/04 CHECKED BY: SMR/CAB 96/12/18 APPROVED BY: SMILLER 2013/08/05	MATERIAL NO. SEE SHEET 2	DOCUMENT NO. SDA-73642-****	SHEET NO. 1 OF 2	
		THIS DRAWING CONTAINS INFORMATION THAT IS PROPRIETARY TO MOLEX INCORPORATED AND SHOULD NOT BE USED WITHOUT WRITTEN PERMISSION					

10 9 8 7 6 5 4 3 2 1

MATERIAL NUMBER	NUMBER OF SIGNAL CONTACTS	PLATING	DIM "A"	DIM "B"	DIM "M"
73642-0000	72	SELECTIVE GOLD/GOLD FLASH	23.84	22.00	5.00
73642-0100	72	SELECTIVE GOLD/GOLD FLASH	23.84	22.00	5.50
73642-0200	72	SELECTIVE GOLD/GOLD FLASH	23.84	22.00	6.00
73642-1000	144	SELECTIVE GOLD/GOLD FLASH	47.84	46.00	5.00
73642-1100	144	SELECTIVE GOLD/GOLD FLASH	47.84	46.00	5.50
73642-1200	144	SELECTIVE GOLD/GOLD FLASH	47.84	46.00	6.00
73642-2000	72	*SELECTIVE GOLD/MATTE TIN	23.84	22.00	5.00
73642-2100	72	*SELECTIVE GOLD/MATTE TIN	23.84	22.00	5.50
73642-2200	72	*SELECTIVE GOLD/MATTE TIN	23.84	22.00	6.00
73642-3000	144	*SELECTIVE GOLD/MATTE TIN	47.84	46.00	5.00
73642-3100	144	*SELECTIVE GOLD/MATTE TIN	47.84	46.00	5.50
73642-3200	144	*SELECTIVE GOLD/MATTE TIN	47.84	46.00	6.00

*FORMERLY TIN/LEAD

SEE SHEET 1 EC NO: UCP2013-3253 DRWN:RWHIPPLE 2013/02/04 CHKD:MWOLFE 2013/02/04 APPR:SMILLER 2013/08/05	QUALITY SYMBOLS	GENERAL TOLERANCES (UNLESS SPECIFIED)	DIMENSION STYLE	SCALE	DESIGN UNITS	THIRD ANGLE PROJECTION	
	$\nabla = 0$ $\nabla = 0$ $\nabla = 0$	mm	INCH	MM ONLY	1:1	METRIC	
		4 PLACES	± ---	± ---	DRAWN BY	DATE	TITLE SALES ASSEMBLY HDM BACKPLANE MODULE OPEN END OPTION
		3 PLACES	± ---	± ---	RWHIPPLE	2013/02/04	
2 PLACES		± 0.05	± ---	CHECKED BY	DATE	DOCUMENT NO. SDA-73642-****	
1 PLACE	± 0.10	± ---	SMR/CAB	96/12/18			
0 PLACE	± ---	± ---	APPROVED BY	DATE	SHEET NO.		
		ANGULAR ±1/2°	SMILLER	2013/08/05	2 OF 2		
		DRAFT WHERE APPLICABLE MUST REMAIN WITHIN DIMENSIONS	MATERIAL NO.	SEE CHART	THIS DRAWING CONTAINS INFORMATION THAT IS PROPRIETARY TO MOLEX INCORPORATED AND SHOULD NOT BE USED WITHOUT WRITTEN PERMISSION		
			SIZE B				

9 8 7 6 5 4 3 2 1