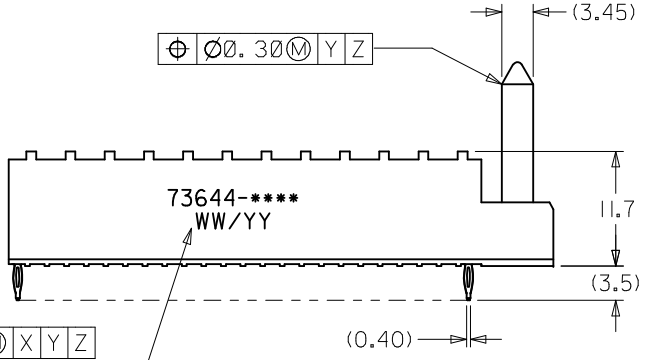
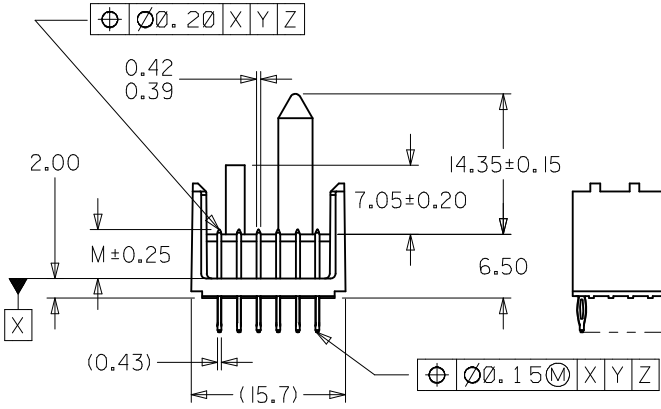
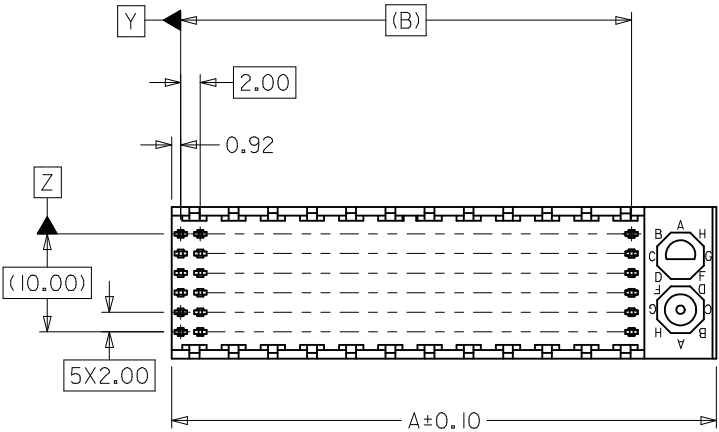
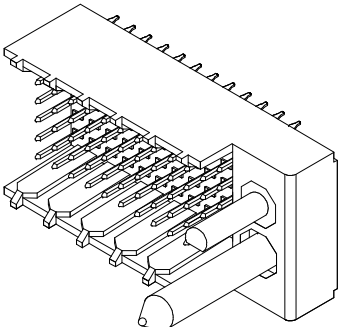


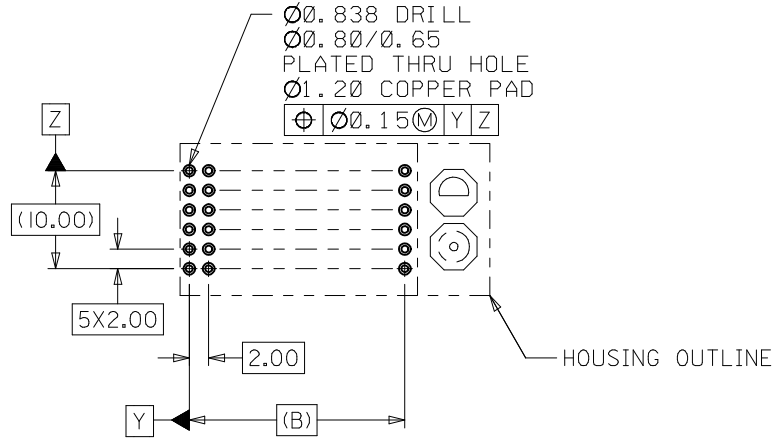
10 9 8 7 6 5 4 3 2 1

NOTES:

1. MATERIALS: HOUSING - LIQUID CRYSTAL POLYMER (LCP)
GLASS-FILLED, UL 94V-0, COLOR: BLACK.
TERMINAL - PHOSPHOR BRONZE.
2. FINISH: SELECTIVE GOLD (Au) IN CONTACT AREA, 0.76 MICROMETERS MINIMUM THICKNESS;
NICKEL (Ni) AND GOLD FLASH OVERALL.
SELECTIVE GOLD (Au) IN CONTACT AREA, 0.76 MICROMETERS MINIMUM THICKNESS;
SELECTIVE MATTE TIN (Sn) ON IN TAIL AREA.
NICKEL (Ni) OVERALL.
3. THIS PART CONFORMS TO MOLEX PRODUCT SPECIFICATION PS-73670-9999.
4. FOR MIXED CONTACT MATING LENGTHS, CONSULT FACTORY FOR AVAILABILITY.
5. DIMENSIONS ARE IN MILLIMETERS.
6. FOR SPECIFIC MATERIAL NUMBERS, SEE SHEET 2.
7. PACKAGE PER 70873-0818.
8. PARTS MARKED WITH PART NUMBER AND DATE CODE ON EITHER SIDE.
APPROXIMATELY WHERE SHOWN.



SEE NOTE 8



PCB LAYOUT: COMPONENT SIDE
RECOMMENDED PCB THICKNESS: 2.50 MIN

| | | | | | | | |
|---|---|--|--------------------------------|---------------------|--------------|---|--|
| LEAD FREE CONVERSION EC NO: UCP2013-3253 DRWN:RWHIPPLE 2013/02/04 CHKD:MWOLFE 2013/02/04 APPR:SMILLER 2013/08/05 | QUALITY SYMBOLS | GENERAL TOLERANCES (UNLESS SPECIFIED) | DIMENSION STYLE | SCALE | DESIGN UNITS | THIRD ANGLE PROJECTION | |
| | $\nabla=0$ $\nabla=0$ $\nabla=0$ | mm INCH 4 PLACES ± --- ± --- 3 PLACES ± --- ± --- 2 PLACES ± 0.05 ± --- 1 PLACE ± 0.10 ± --- 0 PLACE ± --- ± --- | MM ONLY | 2:1 | METRIC | DRAWN BY DATE RWHIPPLE 2013/02/04 CHECKED BY DATE SMR/CAB 96/12/18 APPROVED BY DATE SMILLER 2013/08/05 | TITLE SALES ASSEMBLY, HDM BACKPLANE MODULE POLAR/GUIDE OPTION |
| | ANGULAR ±1/2° DRAFT WHERE APPLICABLE MUST REMAIN WITHIN DIMENSIONS | MATERIAL NO. SEE SHEET 2 | DOCUMENT NO. SDA-73644-**** | SHEET NO. 1 OF 2 | | | |
| | SIZE B | THIS DRAWING CONTAINS INFORMATION THAT IS PROPRIETARY TO MOLEX INCORPORATED AND SHOULD NOT BE USED WITHOUT WRITTEN PERMISSION | | | | | |

9 8 7 6 5 4 3 2 1

| MATERIAL NUMBER | NUMBER OF SIGNAL CONTACTS | PLATING | DIM "A" | DIM "B" | DIM "M" |
|-----------------|---------------------------|------------------------------------|---------|---------|---------|
| 73644-00** | 72 | SELECTIVE GOLD/GOLD FLASH | 31.60 | 22.00 | 5.00 |
| 73644-01** | 72 | SELECTIVE GOLD/GOLD FLASH | 31.60 | 22.00 | 5.50 |
| 73644-02** | 72 | SELECTIVE GOLD/GOLD FLASH | 31.60 | 22.00 | 6.00 |
| 73644-10** | 144 | SELECTIVE GOLD/GOLD FLASH | 55.60 | 46.00 | 5.00 |
| 73644-11** | 144 | SELECTIVE GOLD/GOLD FLASH | 55.60 | 46.00 | 5.50 |
| 73644-12** | 144 | SELECTIVE GOLD/GOLD FLASH | 55.60 | 46.00 | 6.00 |
| 73644-20** | 72 | SELECTIVE GOLD/SELECTIVE MATTE TIN | 31.60 | 22.00 | 5.00 |
| 73644-21** | 72 | SELECTIVE GOLD/SELECTIVE MATTE TIN | 31.60 | 22.00 | 5.50 |
| 73644-22** | 72 | SELECTIVE GOLD/SELECTIVE MATTE TIN | 31.60 | 22.00 | 6.00 |
| 73644-30** | 144 | SELECTIVE GOLD/SELECTIVE MATTE TIN | 55.60 | 46.00 | 5.00 |
| 73644-31** | 144 | SELECTIVE GOLD/SELECTIVE MATTE TIN | 55.60 | 46.00 | 5.50 |
| 73644-32** | 144 | SELECTIVE GOLD/SELECTIVE MATTE TIN | 55.60 | 46.00 | 6.00 |

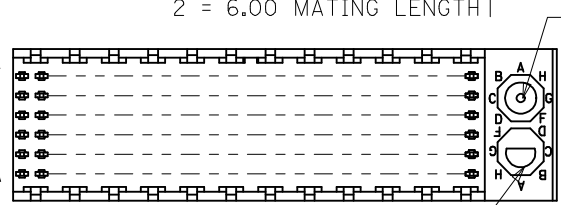
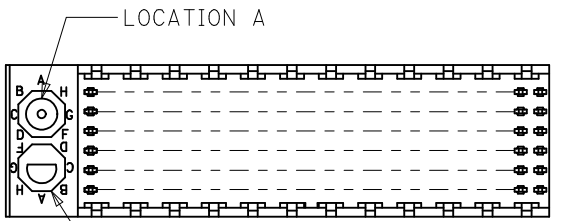
MATERIAL NUMBER ASSIGNMENT

73644- * * * *

0 = 72-CIRCUIT, GOLD/GOLD FLASH
 1 = 144-CIRCUIT, GOLD/GOLD FLASH
 2 = 72-CIRCUIT, *GOLD/MATTE TIN
 3 = 144-CIRCUIT, *GOLD/MATTE TIN
 * FORMERLY TIN/LEAD

0 = 5.00 MATING LENGTH
 1 = 5.50 MATING LENGTH
 2 = 6.00 MATING LENGTH

| NUMBER | GUIDE POST LOCATION | POLAR KEY POSITION |
|--------|---------------------|--------------------|
| 00 | B | |
| 01 | A | A |
| 02 | B | B |
| 03 | A | C |
| 04 | B | D |
| 05 | A | E |
| 06 | B | F |
| 07 | A | G |
| 08 | B | H |
| 09 | A | |
| 10 | B | |
| 11 | A | |
| 12 | B | |
| 13 | A | |
| 14 | B | |
| 15 | A | |
| 16 | B | |
| 17 | A | |
| 18 | N/A | N/A |



REF. MATERIAL NUMBER 73644-0009
 GUIDE PIN IS IN LOCATION A
 POLARIZING KEY IS IN LOCATION B, POSITION E

REF. MATERIAL NUMBER 73644-0008
 GUIDE PIN IS IN LOCATION B
 POLARIZING KEY IS IN LOCATION A, POSITION E

| | | | | | | | | | | |
|--|---|---------------------------------------|--|----------------------------|---|--------------------|--|------------------------|---------------------|--|
| SEE SHEET 1 EC NO: UCP2013-3253 DRAWN: RWHPLE 2013/02/04 CHKD: MWOLF 2013/02/04 APPR: SMILLER 2013/08/05 | QUALITY SYMBOLS $\nabla Z=0$ $\nabla E=0$ $\nabla F=0$ | GENERAL TOLERANCES (UNLESS SPECIFIED) | | DIMENSION STYLE MM ONLY | | SCALE 1:1 | DESIGN UNITS METRIC | THIRD ANGLE PROJECTION | | |
| | | | mm | INCH | DRAWN BY RWHPLE | DATE 2013/02/04 | TITLE SALES ASSEMBLY, HDM BACKPLANE MODULE POLAR/GUIDE OPTION | | | |
| | | 4 PLACES | ± --- | ± --- | CHECKED BY SMR/CAB | DATE 96/12/18 | | | | |
| | | 3 PLACES | ± --- | ± --- | APPROVED BY SMILLER | DATE 2013/08/05 | DOCUMENT NO. SDA-73644-**** | | SHEET NO. 2 OF 2 | |
| 2 PLACES | ± 0.05 | ± --- | MATERIAL NO. SEE CHART | | THIS DRAWING CONTAINS INFORMATION THAT IS PROPRIETARY TO MOLEX INCORPORATED AND SHOULD NOT BE USED WITHOUT WRITTEN PERMISSION | | | | | |
| 1 PLACE | ± 0.10 | ± --- | ANGULAR ±1/2° DRAFT WHERE APPLICABLE MUST REMAIN WITHIN DIMENSIONS | | | | | | | |
| 0 PLACE | ± --- | ± --- | | | | | | | | |